
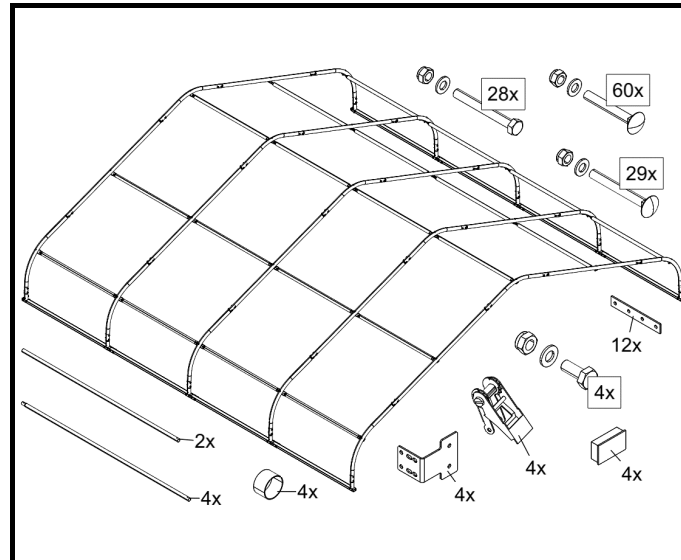
 Spare parts

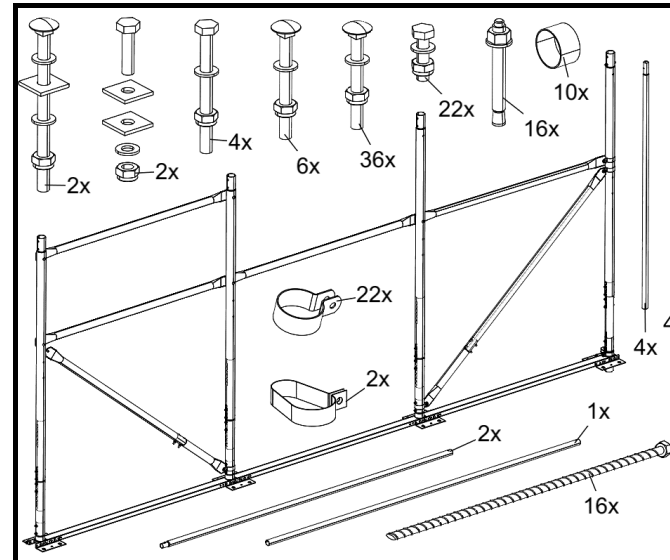
 Ersatzteile

 Pièces détachées



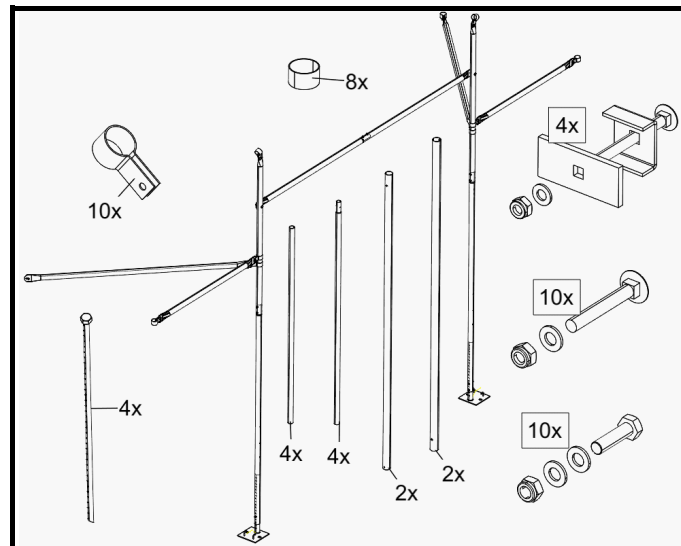
Steel structure CT-S-606.
For CT-S-612, two CT-S-606 steel structures are needed.
Stahlkonstruktion CT-S-606.
Für CT-S-612 werden zwei CT-S-606 Stahlkonstruktionen benötigt.
Construction en acier CT-S-606.
Le CT-S-612 nécessite deux structures en acier CT-S-606.

- CT-S-606 Main Frame



Steel structure side wall 6mtr.
For CT-S-612, two CT-S-606 steel structures are needed.
Seitenwand aus Stahlkonstruktion 6mtr.
Für CT-S-612 werden zwei CT-S-606 Stahlkonstruktionen benötigt.
Structure en acier de la paroi latérale 6mtr.
Le CT-S-612 nécessite deux structures en acier CT-S-606.


- CT-S-4/6-SW06 Main Frame




Steel structure end wall
Stahlkonstruktion Wand
Construction en acier façade

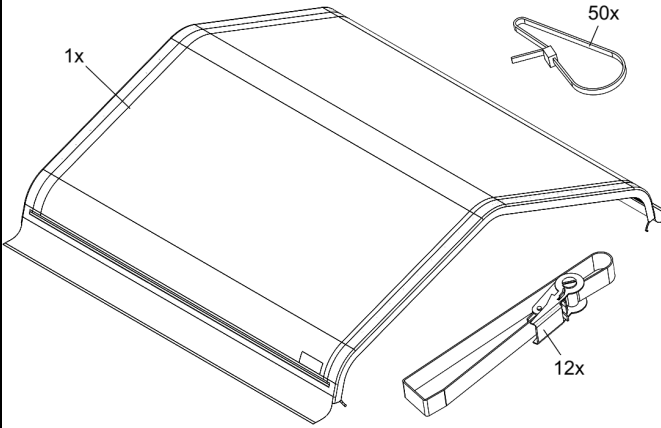
- CT-S-606 End wall Frame



 Spare parts

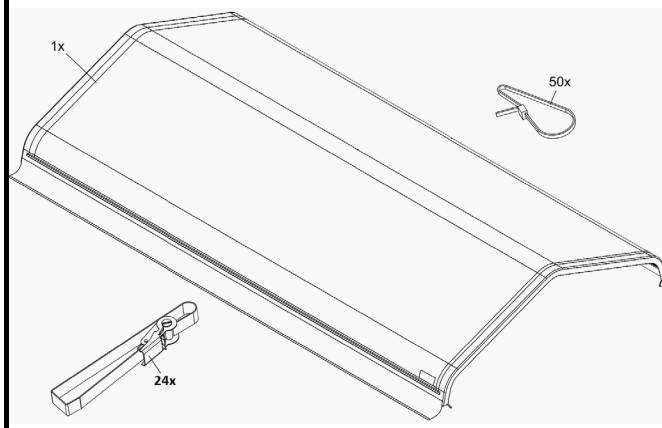
 Ersatzteile

 Pièces détachées



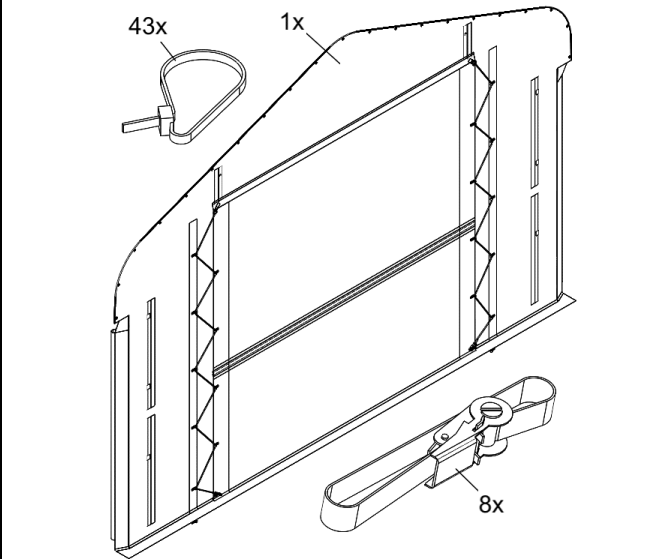
Cover 6mtr. (CT-S-606)
Plane 6mtr. (CT-S-606)
Bâche 6mtr. (CT-S-606)

- CT-S-606 Main cover HDPE White
- CT-S-606 Main cover HDPE Green
- CT-S-606 Main cover PVC White
- CT-S-606 Main cover PVC Grey
- CT-S-606 Main cover PVC Green
- CT-S-606 Main cover PVC White printed



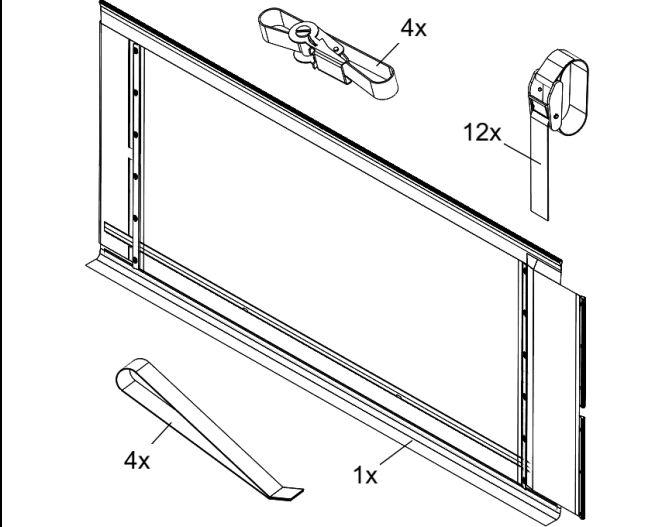
Cover 12mtr. (CT-S-612)
Plane 12mtr. (CT-S-612)
Bâche 12mtr. (CT-S-612)

- CT-S-612 Main cover PVC White printed




Cover gable (CT-S-6)
Plane Giebel (CT-S-6)
Bâche façade (CT-S-6)

- CT-S-606 end wall cover HDPE White
- CT-S-606 end wall cover HDPE Green
- CT-S-606 end wall cover PVC White
- CT-S-606 end wall cover PVC Grey
- CT-S-606 end wall cover PVC Green
- CT-S-606 end wall cover PVC White printed




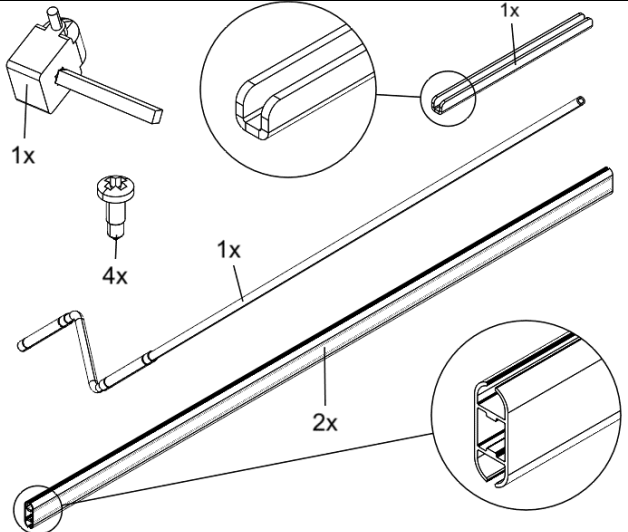
Cover side wall 6mtr.
 For CT-S-612, two 6mtr covers are needed.
Plane Seitenwand 6mtr.
 Für CT-S-612 sind zwei 6mtr Pläne benötigt.
Paroi latérale en bâche 6mtr.
 Le CT-S-612 nécessite deux Bâche 6mtr.

- CT-S-4/6/8/10-SW06 Cover PVC White
- CT-S-4/6/8/10-SW06 Cover PVC Green
- CT-S-4/6/8/10-SW06 Cover PVC Grey

 Spare parts

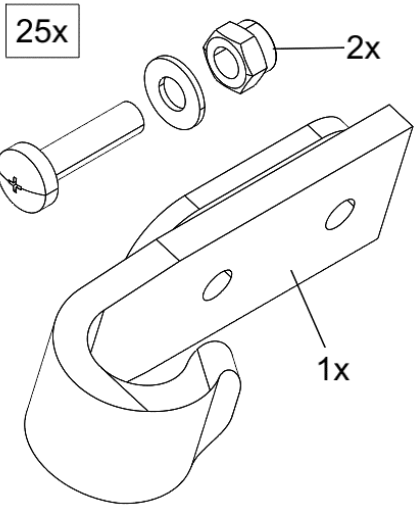
 Ersatzteile

 Pièces détachées



**Roll-up system complete,
Aufrollsystem komplett.
Système d'enroulement complet.**

- KSP00086 Roll-up system 228cm



**Replacement hook set gable (25x)
Ersatzhakenset Giebelwand (25x)
Jeu de crochets de pignon (25x)**


- Hook set complete (25pcs)

Blank section for spare parts.


Blank section for spare parts.

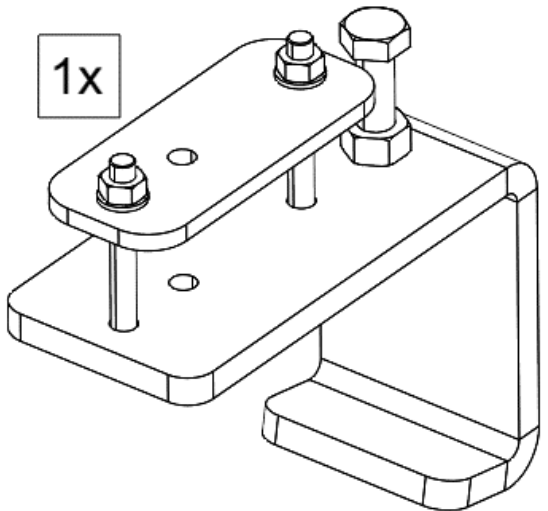
Blank section for spare parts.

Blank section for spare parts.

 Spare parts

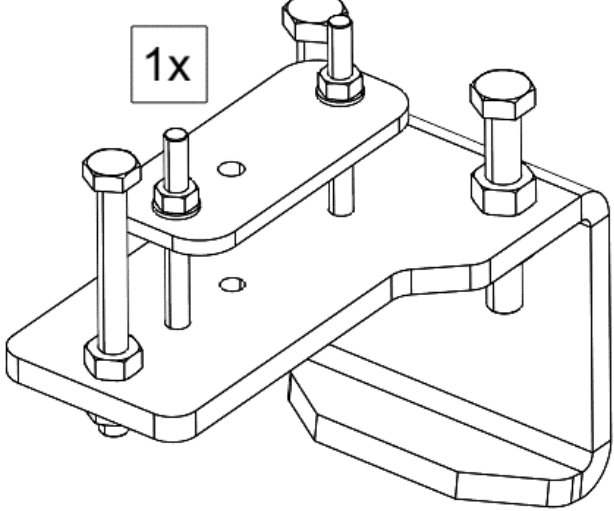
 Ersatzteile

 Pièces détachées



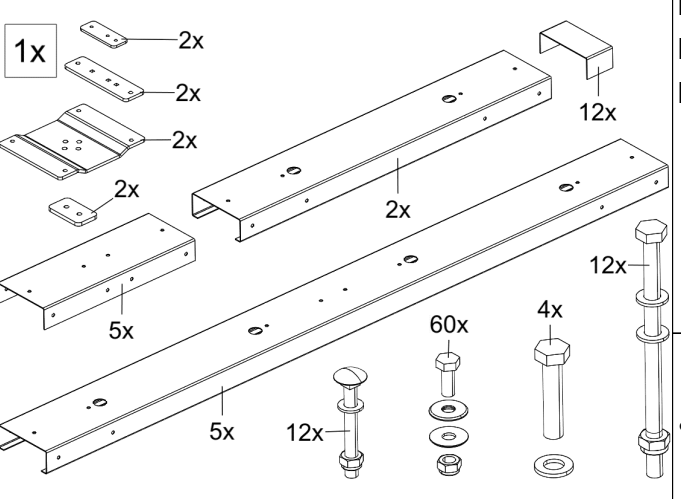
Fastening brackets Standard
Befestigungsklammern Normal
Bride de fixation Standard

- 4x TCA0008 (Normal)
- 6x TCA0008 (Normal)
- 8x TCA0008 (Normal)



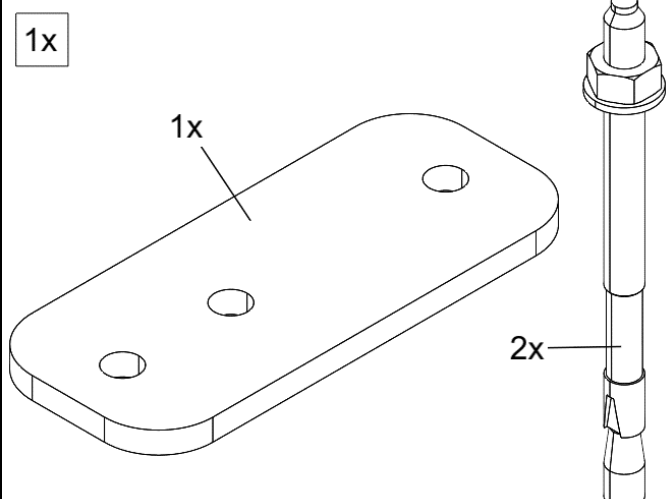
Fastening brackets Heavy
Befestigungsklammern Schwer
Bride de fixation Lourde

- 3x TCA0052 (Heavy duty)
- 4x TCA0052 (Heavy duty)



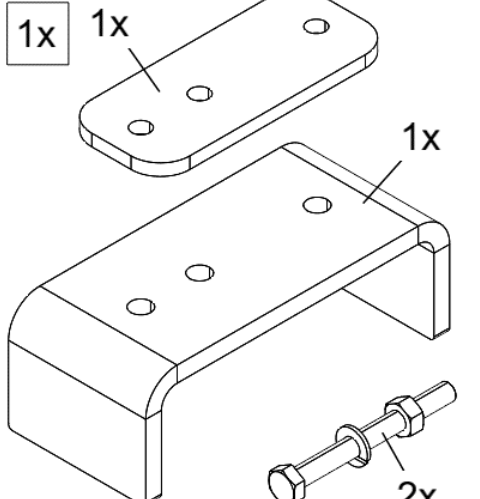
Mounting rail 6mtr complete 1x.
Montage schiene 6mtr komplett 1x.
Rail de montage 6mtr complet 1x.

- KSP00110 Twistlock beam 6mtr



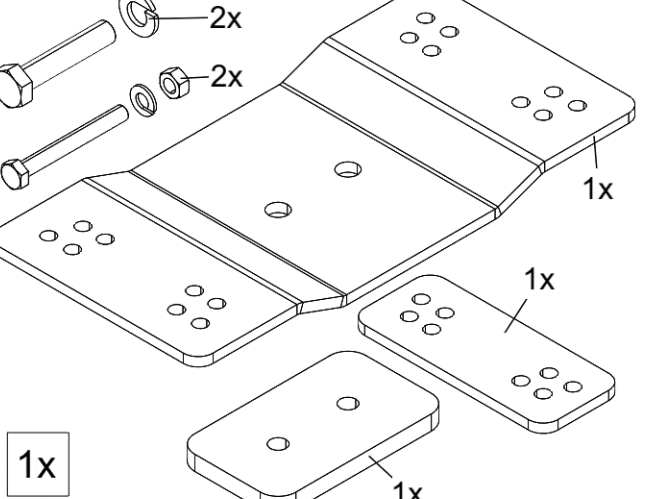
Mounting kit for on a concrete wall
Befestigungssatz für an einer Betonwände
Kit de fixation pour un mur en béton

- Concrete anchor set



Weld clamps
Schweissklammern
Pinces à souder

- KSP00087 Welding clamp set



Container corner clamp
Container-Eckklammer
Pince d'angle pour conteneurs

- TCA0124 twist lock clamp