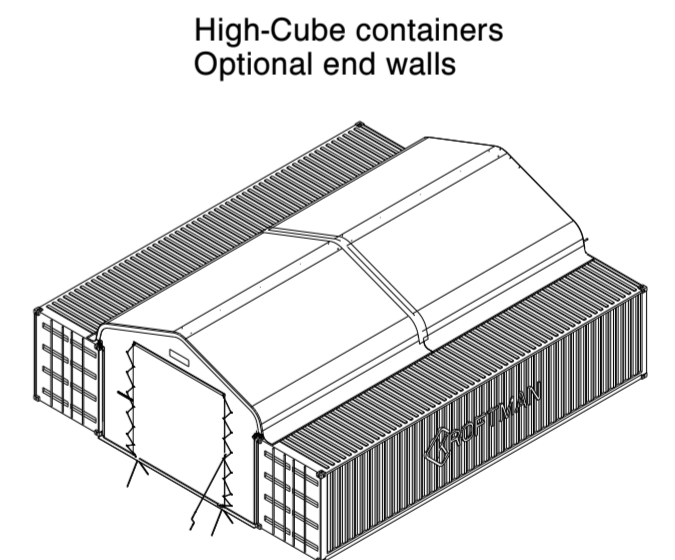
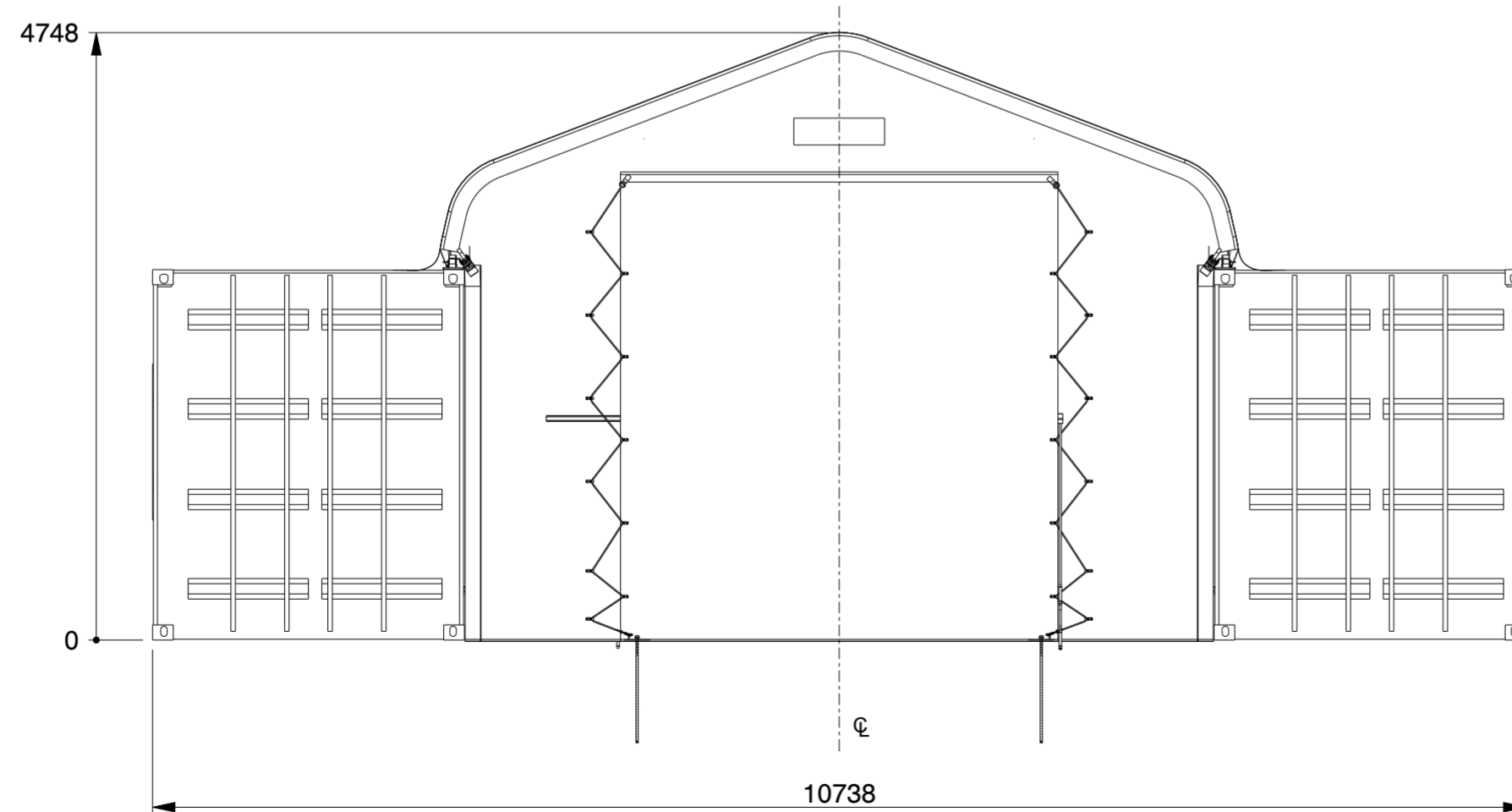


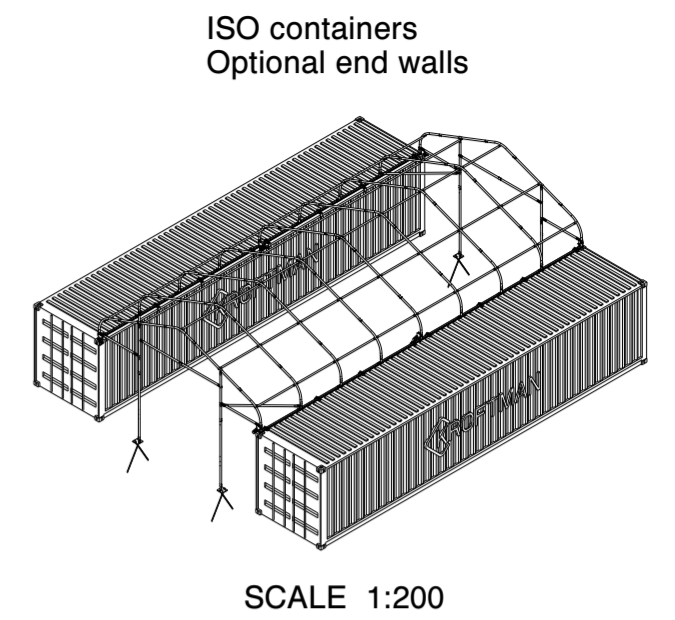
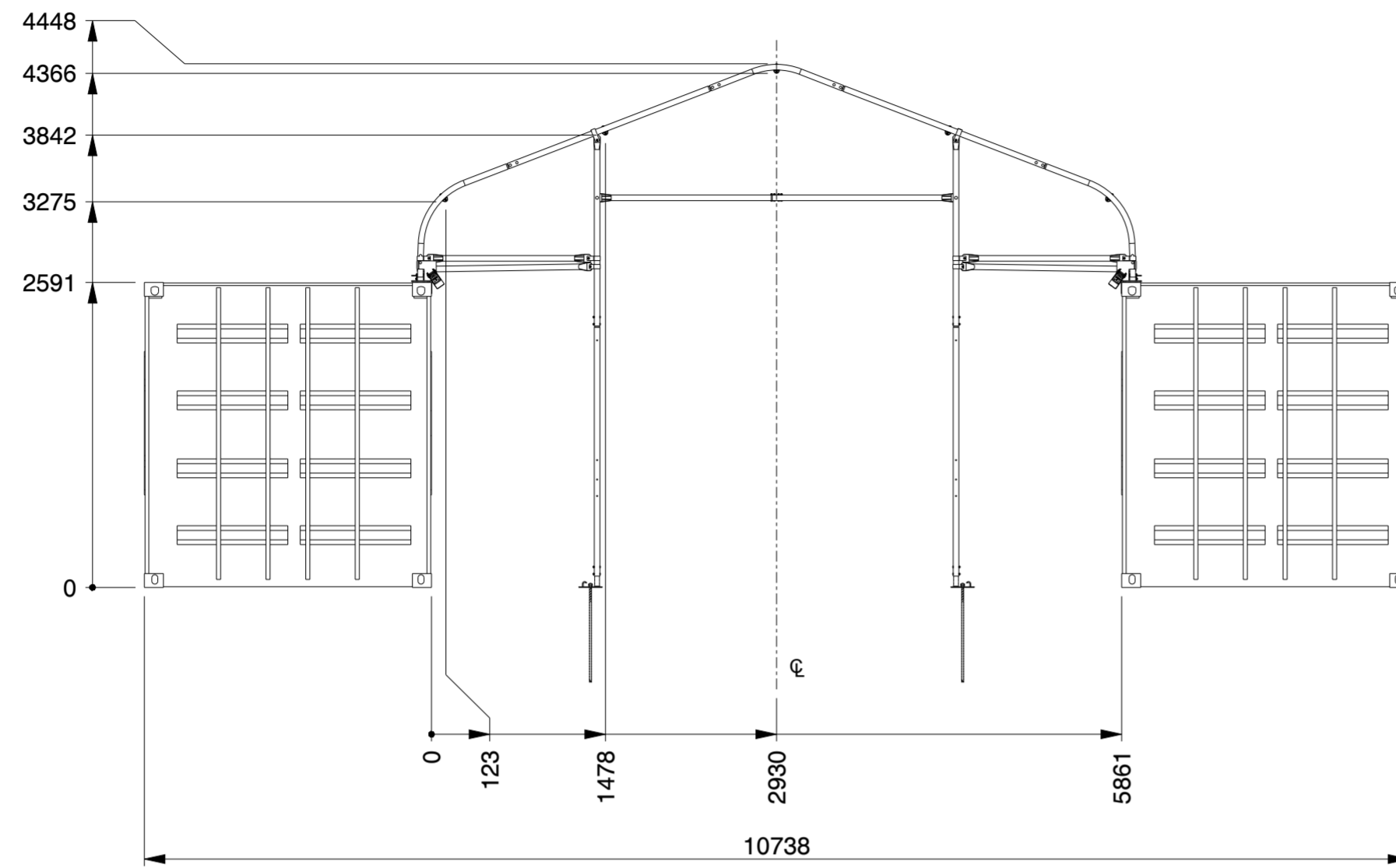
SCALE 1:200



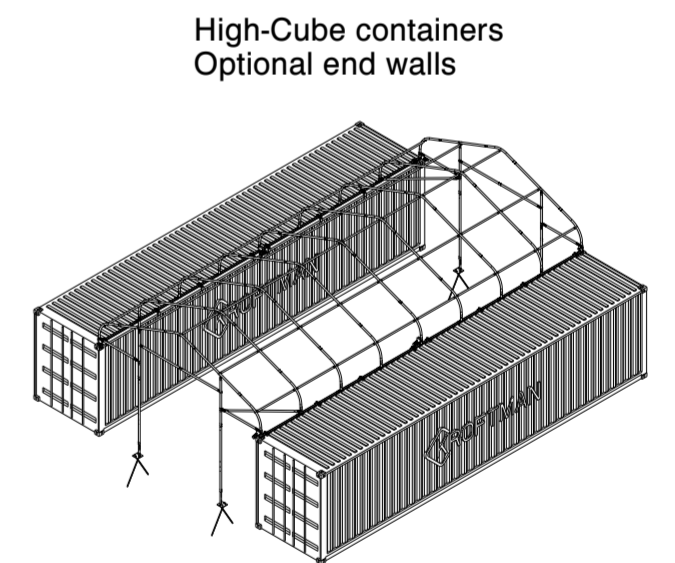
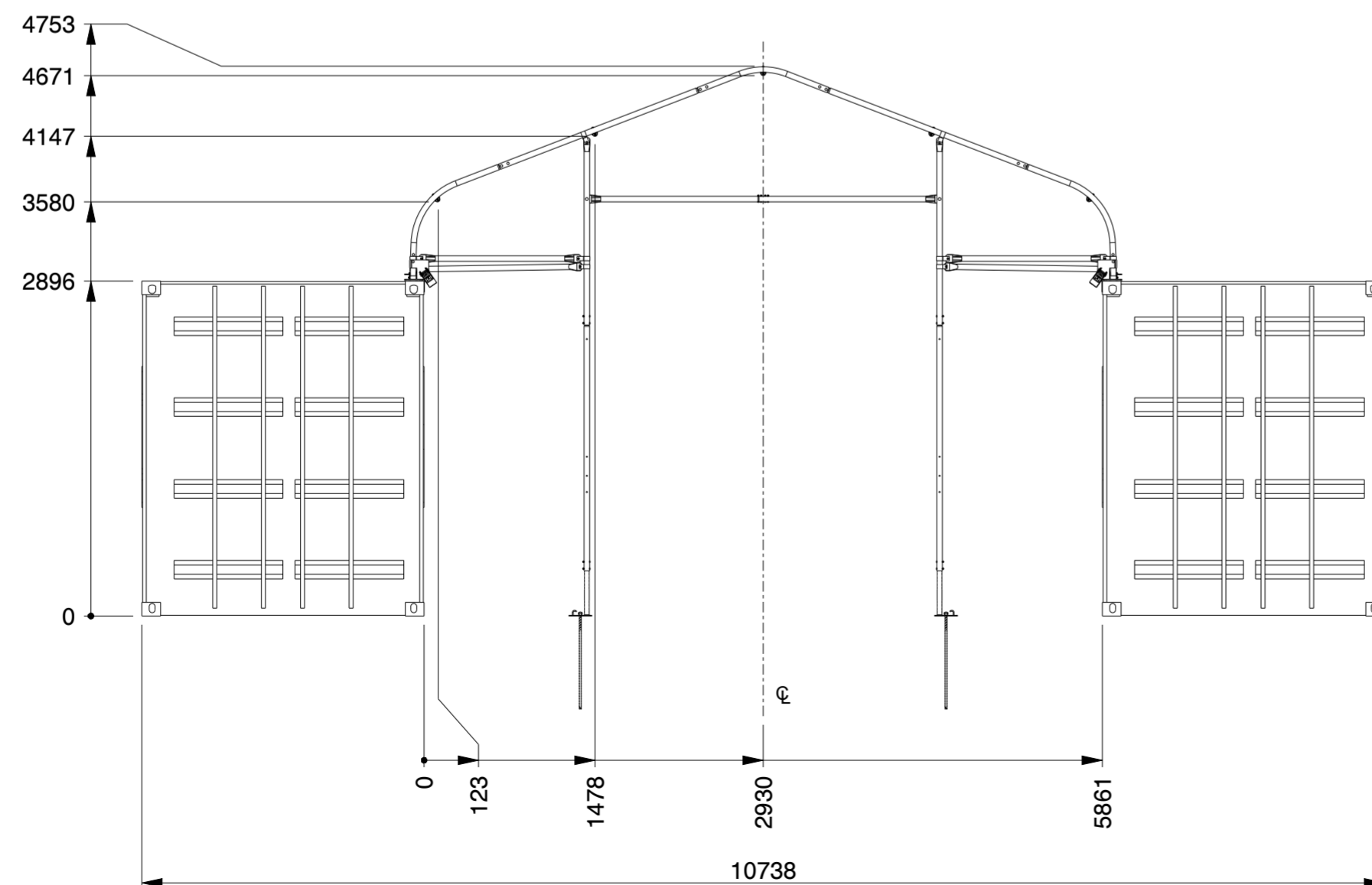
SCALE 1:200

KROFTMAN	LASERCUT ACCORDING: EN-ISO 9013-5-4-1		MATERIAL: See List	
	MATERIAL CERTIFICATE: 3.1 (OR 2.2 WHEN S235JR)		TREATMENT: -	
	GALVANIZING ACCORDING: EN ISO 1461		STATUS: In Work	
	BEND RADIUS UNLESS DEFINED R _t =t		REVISION: 0	
TOLERANCES UNLESS OTHERWISE SPECIFIED:				
GENERAL ROUGHNESS Ra ✓	DIMENSION: ±	ANGLE: ±°	MODEL NUMBER TCA0047	REVISION: 0
DESCRIPTION: Container Top CT-S-612				
SCALE: 1:50	UNITS: mm	PROJECTION: 	MODIFIED ON: 12-03-2024	APPROVED ON:
			MODIFIED BY: AVA	APPROVED BY:
			MASS: 15240,4 kg	Sheet 1 of 5 Size: A2
© KROFTMAN STRUCTURES B.V. Duplication and copying without written permission of the owner is prohibited				

DRAWING NAME: TCA0047



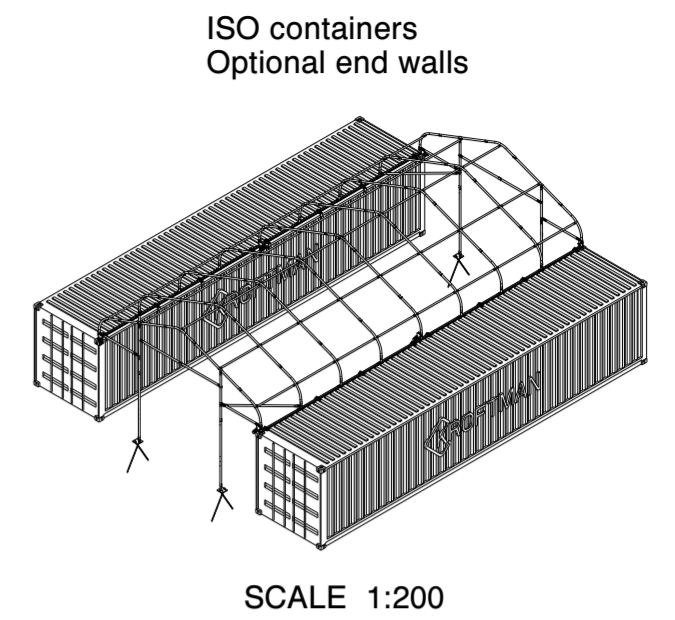
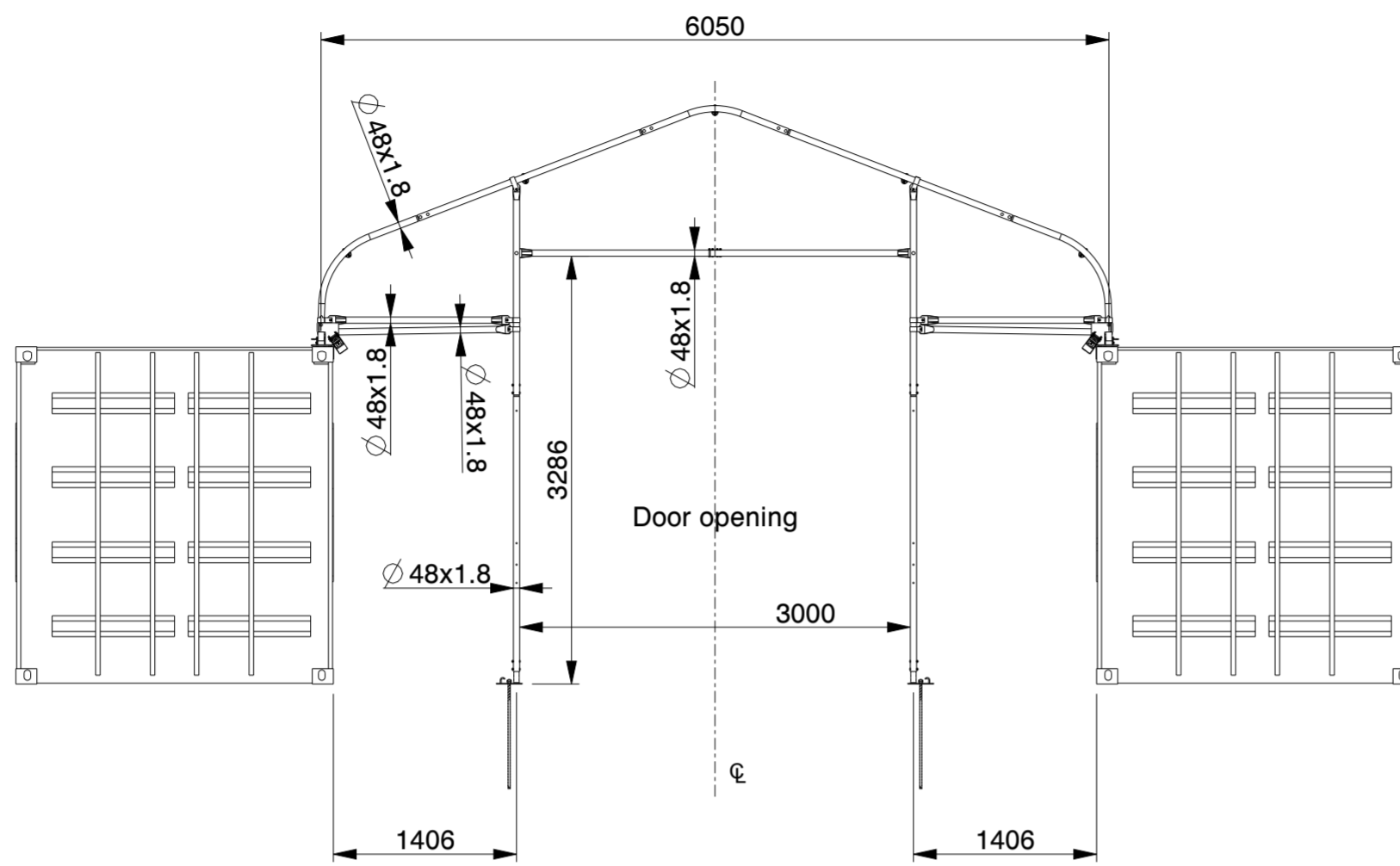
SCALE 1:200



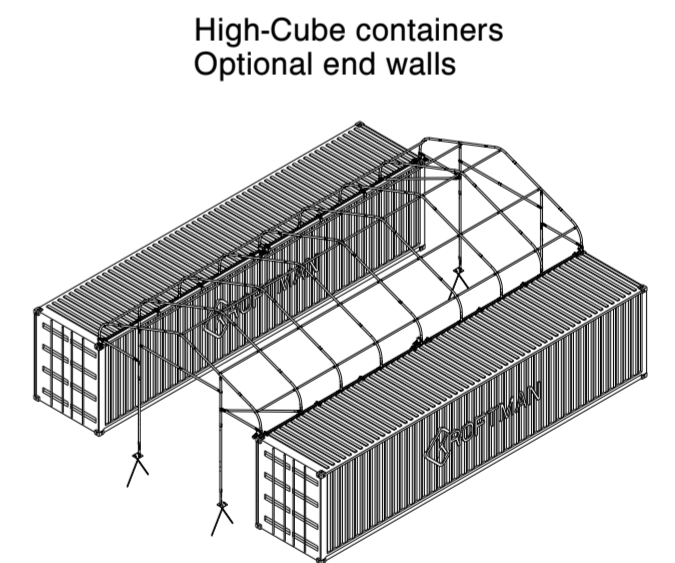
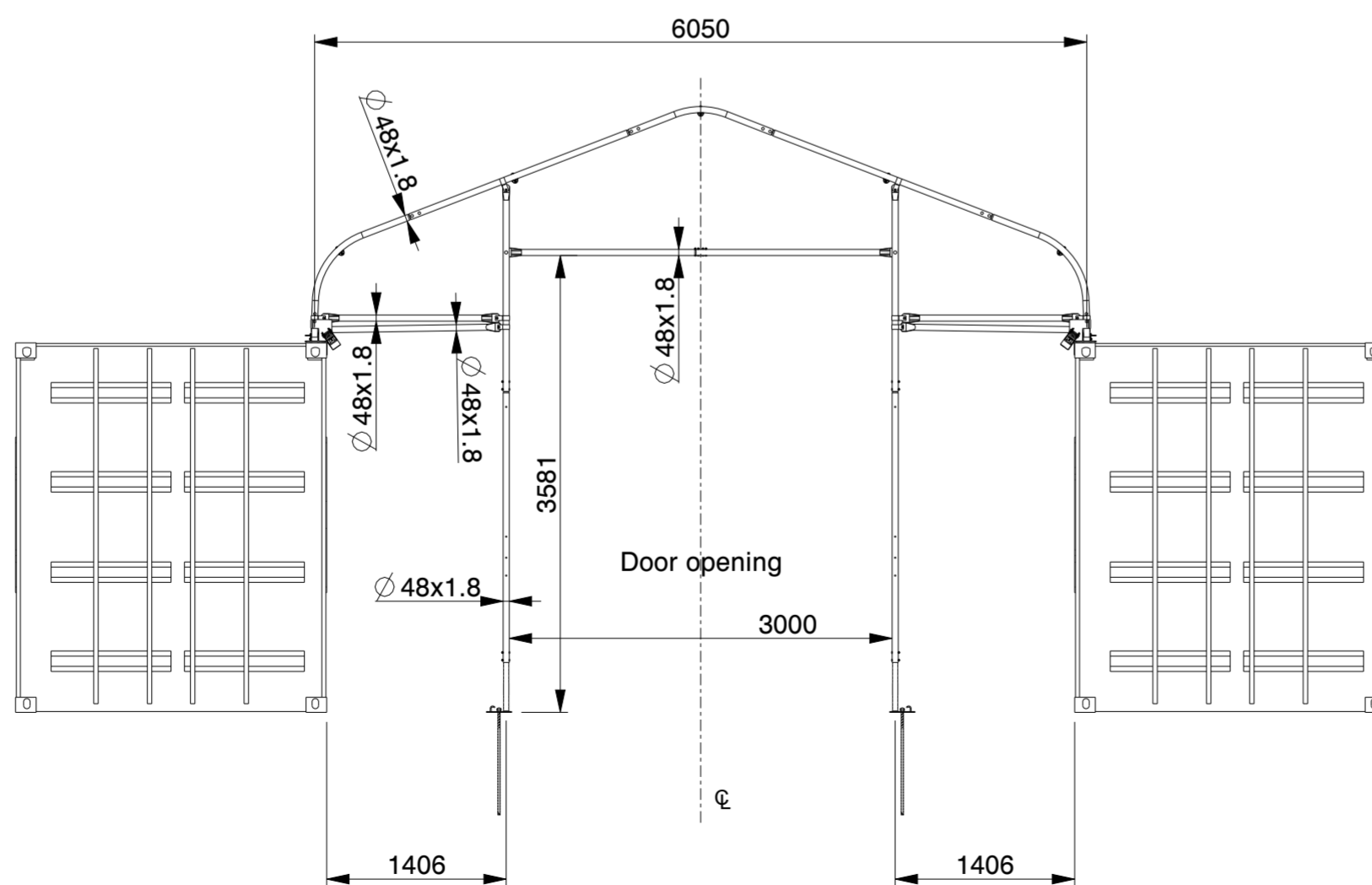
SCALE 1:200

KROFTMAN	LASERCUT ACCORDING: EN-ISO 9013-5-4-1		MATERIAL: See List	
	MATERIAL CERTIFICATE: 3.1 (OR 2.2 WHEN S235JR)		TREATMENT: -	
	GALVANIZING ACCORDING: EN ISO 1461		STATUS: In Work	
	BEND RADIUS UNLESS DEFINED R _i =t		REVISION: 0	
TOLERANCES UNLESS OTHERWISE SPECIFIED:		MODEL NUMBER TCA0047		
GENERAL ROUGHNESS R _a ✓	DIMENSION: ±	ANGLE: ±°	REVISION: 0	
DESCRIPTION: Container Top CT-S-612				
SCALE: 1:50	UNITS: mm	PROJECTION: 	MODIFIED ON: 12-03-2024	APPROVED ON:
		MODIFIED BY: AVA		APPROVED BY:
		MASS: 15240,4 kg		Sheet 2 of 5
				Size: A2
© KROFTMAN STRUCTURES B.V. Duplication and copying without written permission of the owner is prohibited				

DRAWING NAME: TCA0047



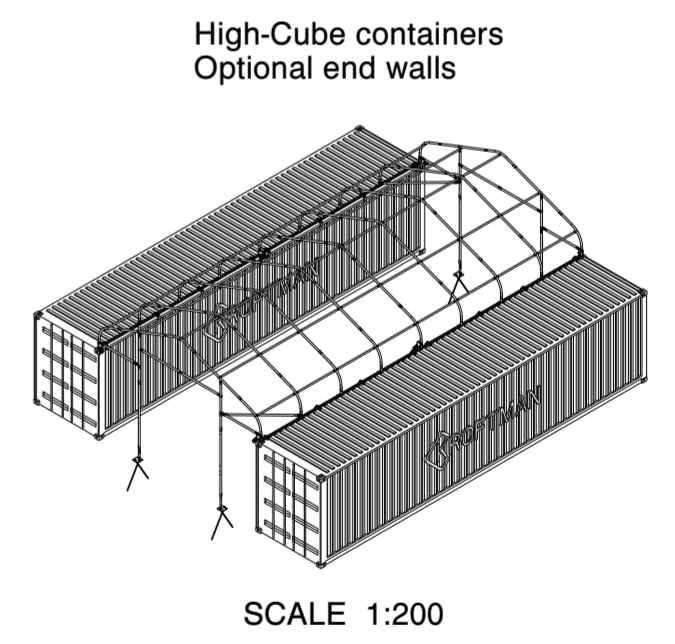
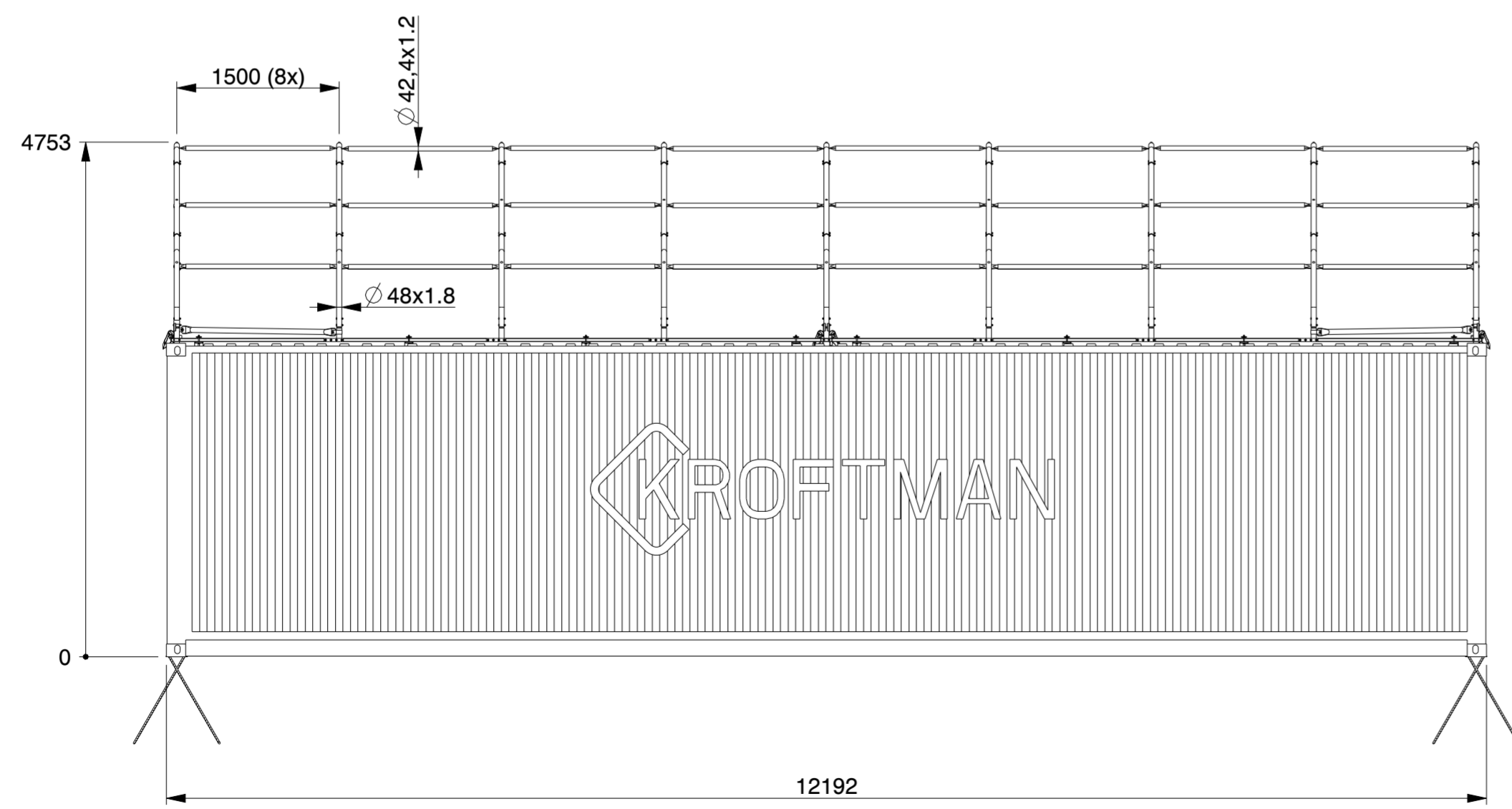
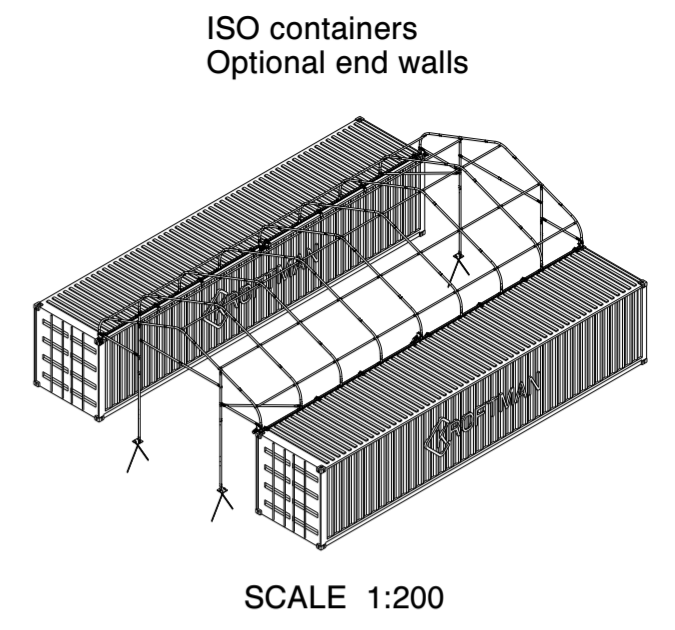
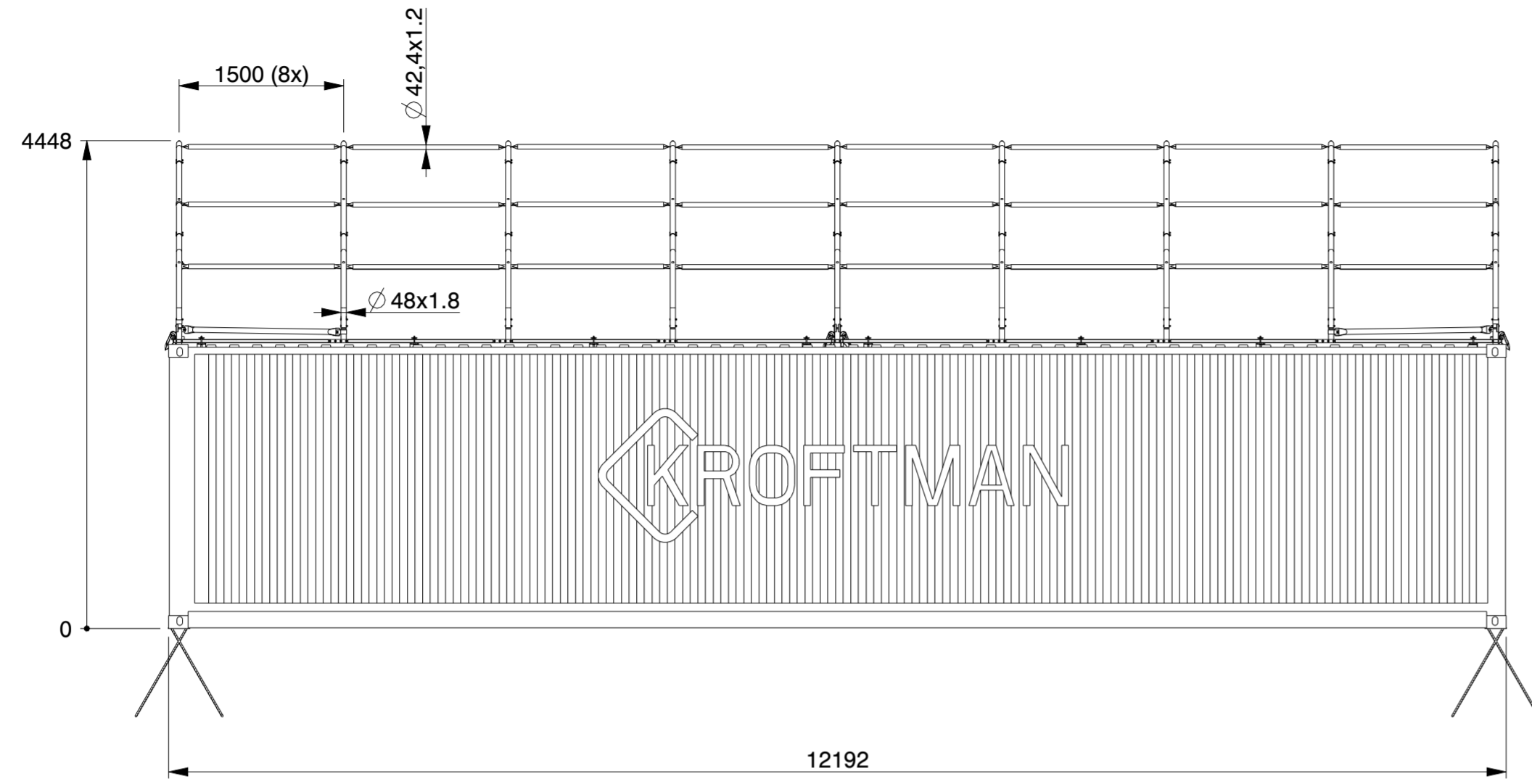
SCALE 1:200



SCALE 1:200

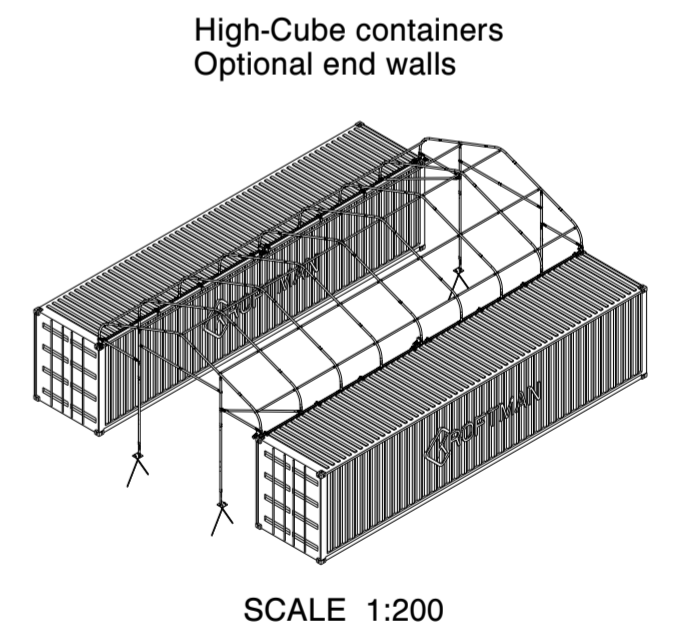
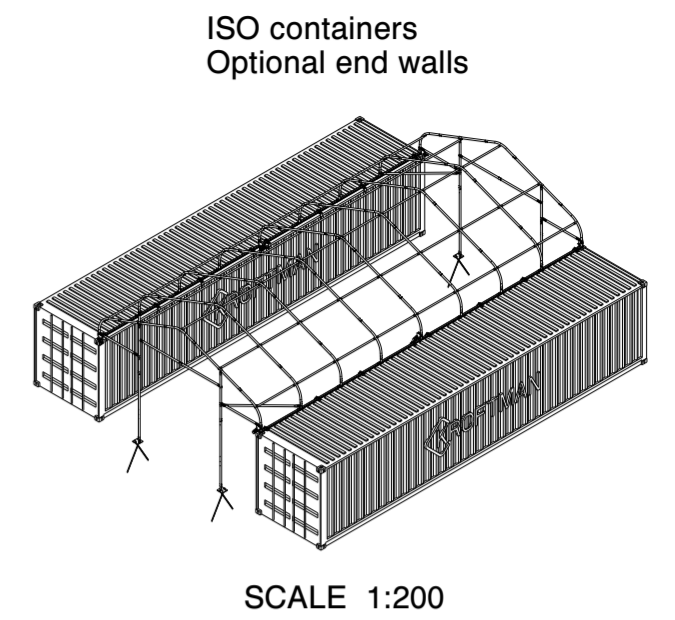
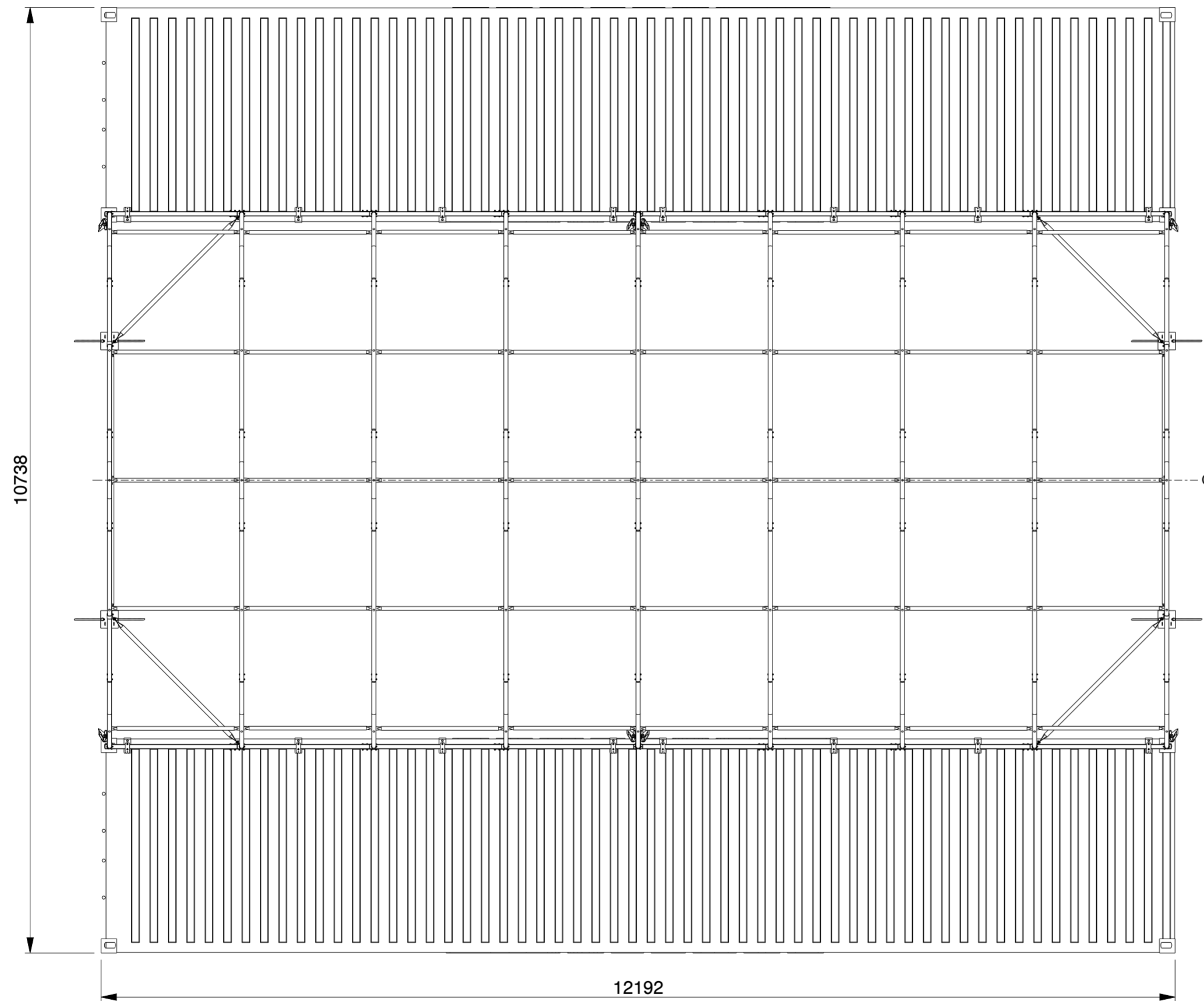
KROFTMAN	LASERCUT ACCORDING: EN-ISO 9013-5-4-1		MATERIAL: See List	
	MATERIAL CERTIFICATE: 3.1 (OR 2.2 WHEN S235JR)		TREATMENT: -	
	GALVANIZING ACCORDING: EN ISO 1461		STATUS: In Work	
	BEND RADIUS UNLESS DEFINED R _t =t		REVISION: 0	
TOLERANCES UNLESS OTHERWISE SPECIFIED:		MODEL NUMBER TCA0047		
GENERAL ROUGHNESS R _a ✓	DIMENSION: ±	ANGLE: ±°	REVISION: 0	
DESCRIPTION: Container Top CT-S-612				
SCALE: 1:50	UNITS: mm	PROJECTION: 	MODIFIED ON: 12-03-2024	APPROVED ON:
		MODIFIED BY: AVA		APPROVED BY:
		MASS: 15240,4 kg		Sheet 3 of 5
				Size: A2
© KROFTMAN STRUCTURES B.V. Duplication and copying without written permission of the owner is prohibited				

DRAWING NAME: TCA0047



KROFTMAN	LASERCUT ACCORDING: EN-ISO 9013-5-4-1		MATERIAL: See List	
	MATERIAL CERTIFICATE: 3.1 (OR 2.2 WHEN S235JR)		TREATMENT: -	
	GALVANIZING ACCORDING: EN ISO 1461		STATUS: In Work	
	BEND RADIUS UNLESS DEFINED R _t =t		REVISION: 0	
TOLERANCES UNLESS OTHERWISE SPECIFIED:				
GENERAL ROUGHNESS R _a ✓	DIMENSION: ±	ANGLE: ±°	MODEL NUMBER TCA0047	REVISION: 0
DESCRIPTION: Container Top CT-S-612				
SCALE: 1:50	UNITS: mm	PROJECTION: 	MODIFIED ON: 12-03-2024	APPROVED ON:
			MODIFIED BY: AVA	APPROVED BY:
			MASS: 15240,4 kg	Sheet 4 of 5 Size: A2
© KROFTMAN STRUCTURES B.V. Duplication and copying without written permission of the owner is prohibited				

DRAWING NAME: TCA0047



KROFTMAN	LASERCUT ACCORDING: EN-ISO 9013-5-4-1		MATERIAL: See List	
	MATERIAL CERTIFICATE: 3.1 (OR 2.2 WHEN S235JR)		TREATMENT: -	
	GALVANIZING ACCORDING: EN ISO 1461		STATUS: In Work	
	BEND RADIUS UNLESS DEFINED R _t =t			
TOLERANCES UNLESS OTHERWISE SPECIFIED:				
GENERAL ROUGHNESS R _a ✓	DIMENSION: ±	ANGLE: ±°	MODEL NUMBER TCA0047	REVISION: 0
DESCRIPTION: Container Top CT-S-612				
SCALE: 1:50	UNITS: mm	PROJECTION: 	MODIFIED ON: 12-03-2024	APPROVED ON:
			MODIFIED BY: AVA	APPROVED BY:
			MASS: 15240,4 kg	Sheet 5 of 5 Size: A2
© KROFTMAN STRUCTURES B.V. Duplication and copying without written permission of the owner is prohibited				

DRAWING NAME: TCA0047