

**Genehmigung / Approval / Goedkeuring**

Kundenname:  
Client name:  
Klantnaam:

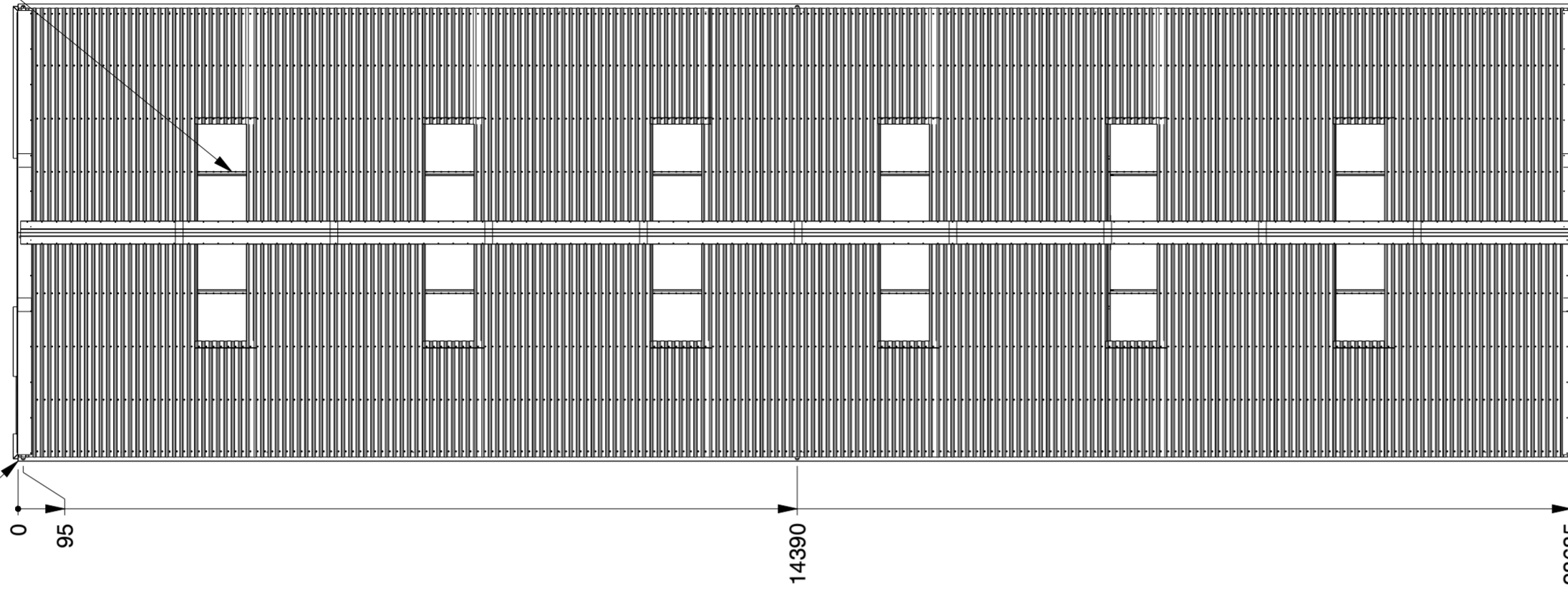
Datum:  
Date:  
Datum:

Unterschrift:  
Signature:  
Handtekening:

Firmenstempel:  
Company stamp:  
Firmastempel:

LASERCUT ACCORDING: EN-ISO 9013-5-4-1		MATERIAL: See List	
MATERIAL CERTIFICATE: 3.1 (OR 2.2 WHEN S235JR)		TREATMENT:	
GALVANIZING ACCORDING: EN ISO 1461		STATUS: Released	
BEND RADIUS UNLESS DEFINED R <sub>i</sub> =t		MODEL NUMBER <b>LCA00150</b>	
TOLERANCES UNLESS OTHERWISE SPECIFIED:		REVISION: <b>0</b>	
GENERAL ROUGHNESS R <sub>a</sub> ✓	DIMENSION: ± 10	ANGLE: ± °	
DESCRIPTION: <b>Storage Building H8-33</b>			
SCALE: 1:100	UNITS: mm	PROJECTION: 	MODIFIED ON: 08-09-2023 APPROVED ON: 08-09-2023
MODIFIED BY: AVA		APPROVED BY: BVB	
MASS: 6792,0 kg		Sheet 1 of 4 Size: A2	

Sky lights  
Transparante Dachplatten  
Lichtpanelen



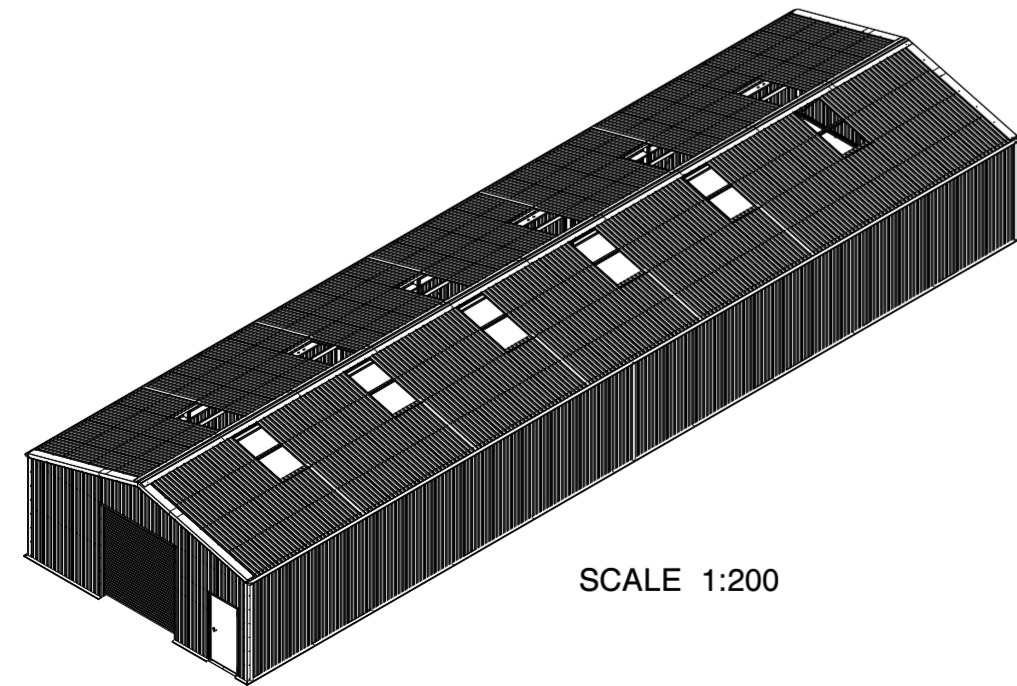
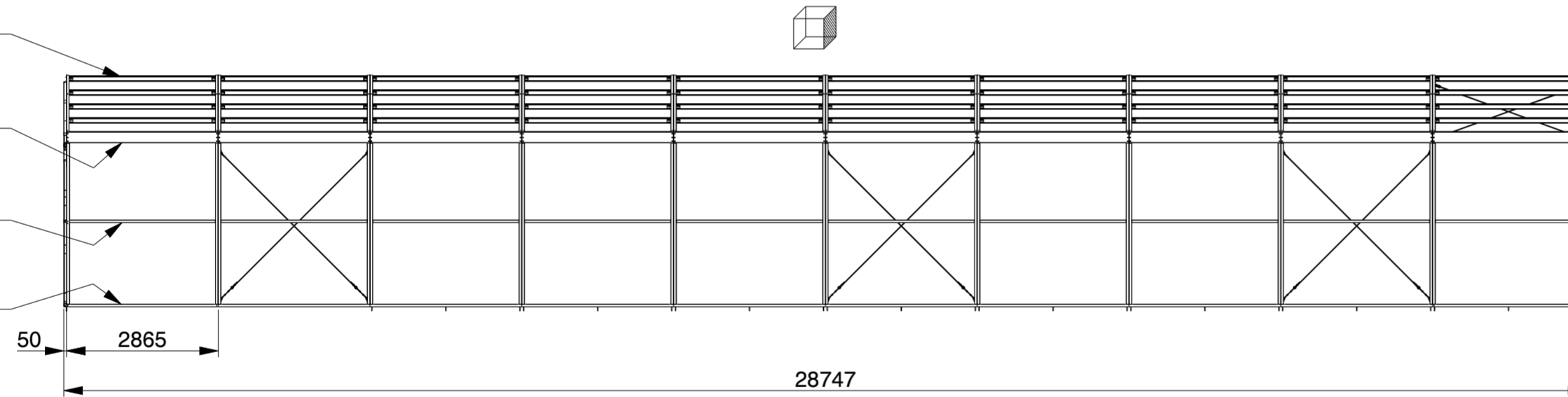
Optional Rain gutter  
Optionale Regenrinne  
Optioneel Gouttière  
Optioneel Dakgoot

C100/50/13 t = 1.5mm  
S320GD Z275

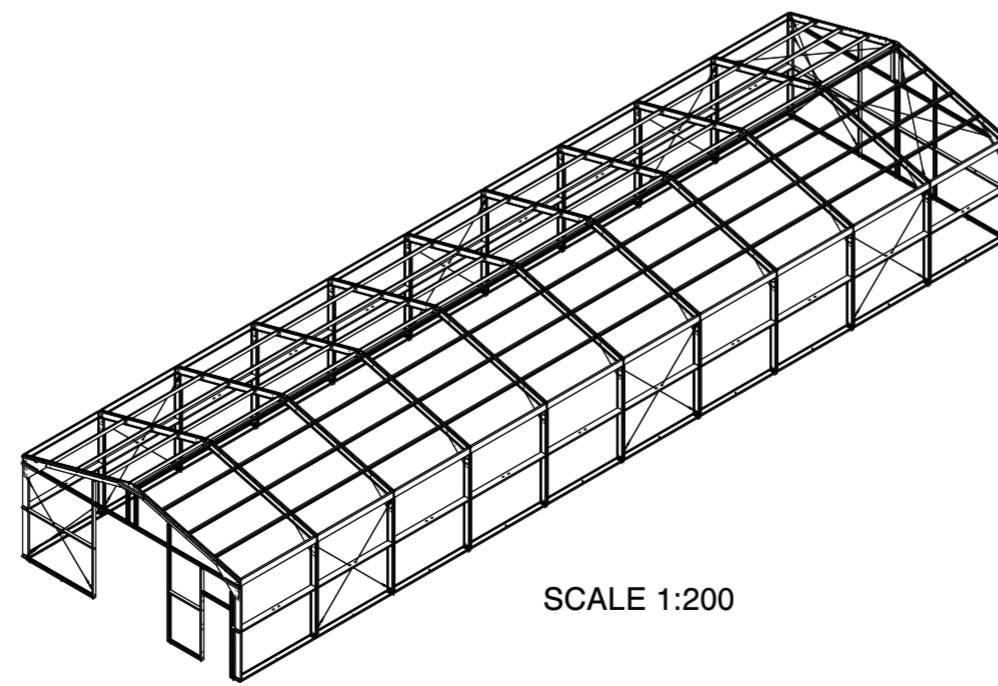
C200 + /50/15 t = 1.5mm  
S390GD Z275

C200/50/15 t = 1.5mm  
S320GD Z275

C200/50/15 t = 1.5mm  
S320GD Z275



SCALE 1:200



SCALE 1:200

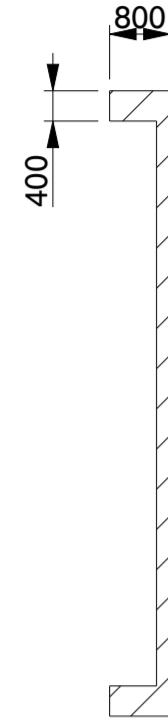
**Genehmigung / Approval / Goedkeuring**

Kundenname: Client name: Klantnaam:		Firmenstempel: Company stamp: Firmastempel:	
Datum: Date: Datum:			
Unterschrift: Signature: Handtekening:			

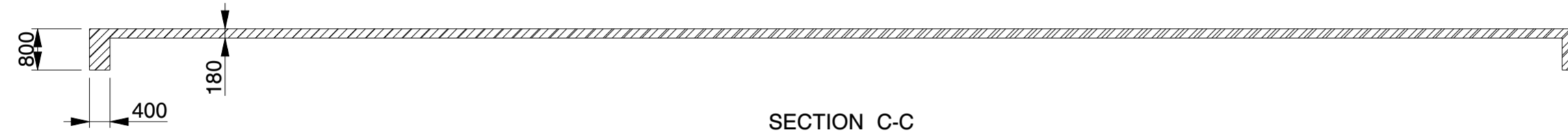
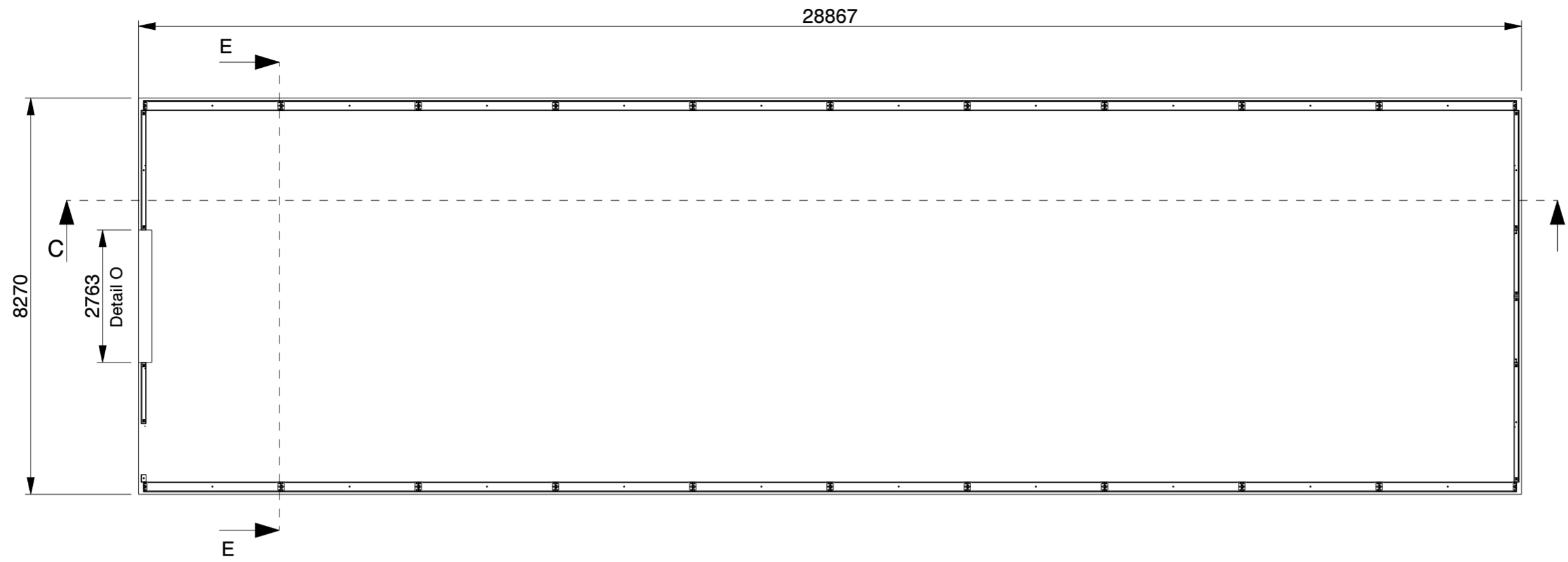
TRAPEZBLECH	CORRUGATED STEEL PANEL	TÔLE TRAPÉZOÏDALE
POLYESTERBESCHICHTUNG	POLYESTER COATING	REVÊTEMENT POLYESTER
0.5MM STAHL	0.5MM STEEL	0.5MM MÉTAL

LASERCUT ACCORDING: EN-ISO 9013-5-4-1		MATERIAL: See List	
MATERIAL CERTIFICATE: 3.1 (OR 2.2 WHEN S235JR)		TREATMENT: -	
GALVANIZING ACCORDING: EN ISO 1461		STATUS: Released	
BEND RADIUS UNLESS DEFINED R <sub>i</sub> =t			
TOLERANCES UNLESS OTHERWISE SPECIFIED:			
GENERAL ROUGHNESS R <sub>a</sub> ✓	DIMENSION: ± 10	ANGLE: ± °	MODEL NUMBER <b>LCA00150</b>
DESCRIPTION: <b>Storage Building H8-33</b>		REVISION: <b>0</b>	
SCALE: 1:100	UNITS: mm	PROJECTION: 	MODIFIED ON: 08-09-2023 MODIFIED BY: AVA MASS: 6792,0 kg
		APPROVED ON: 08-09-2023 APPROVED BY: BVB	Sheet 2 of 4 Size: A2

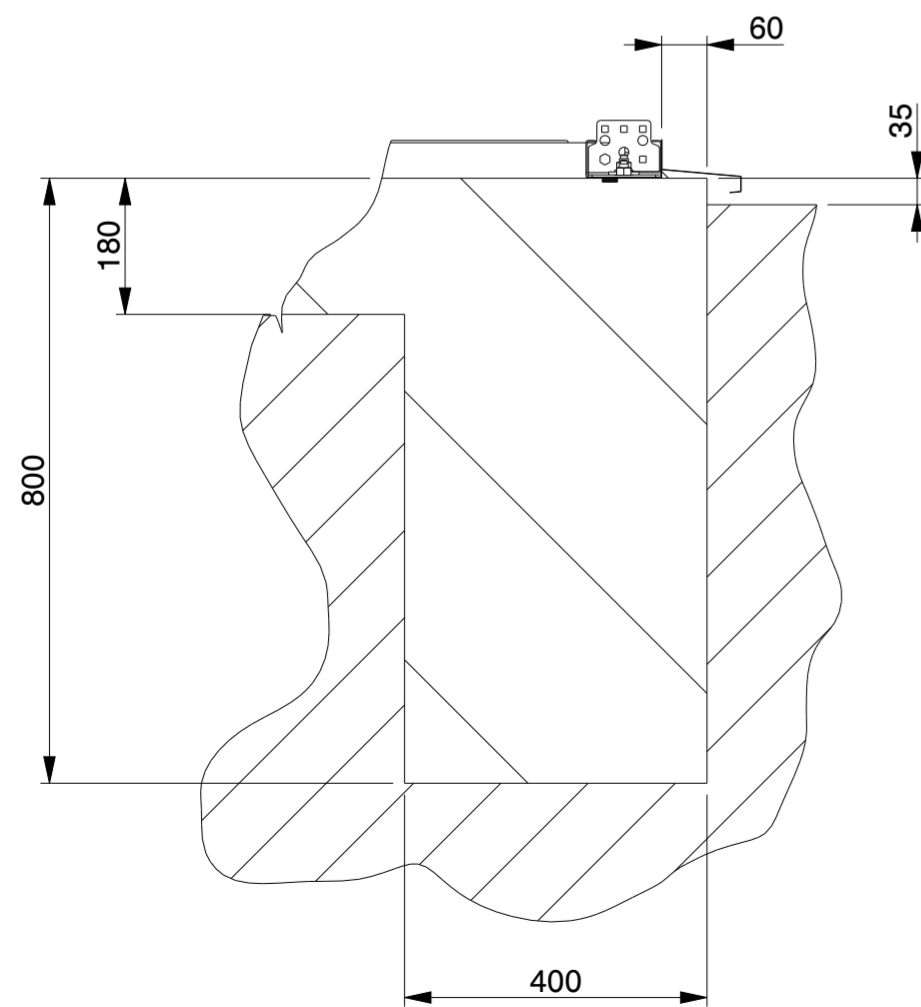




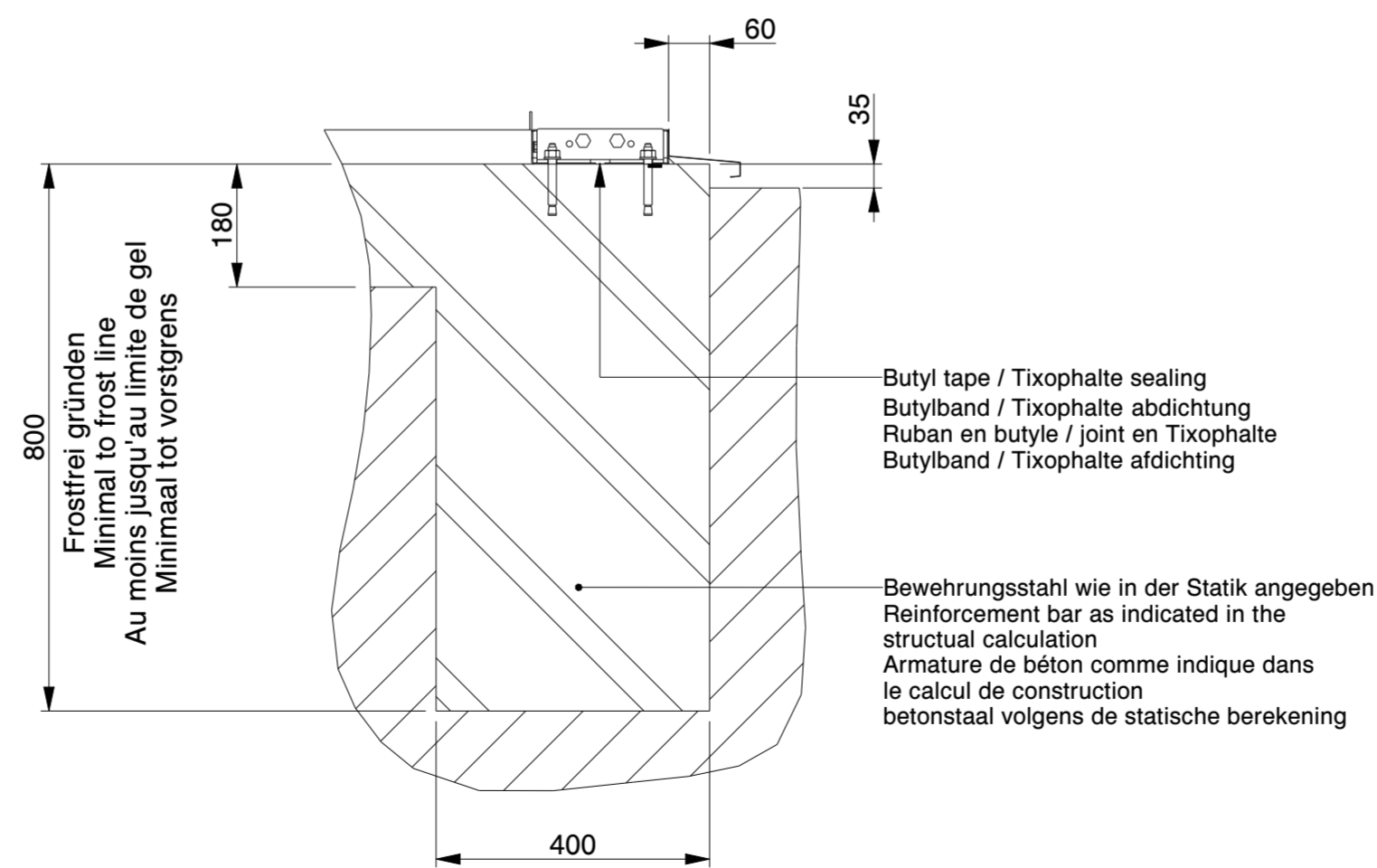
SECTION E-E



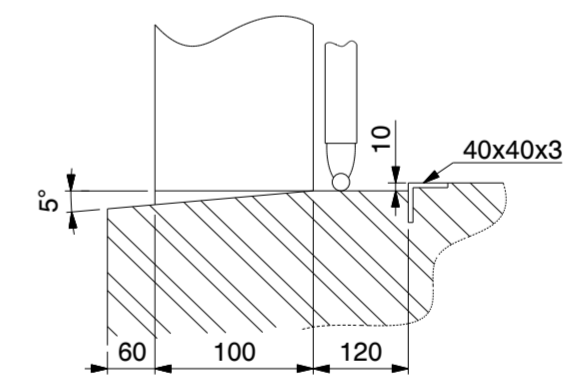
SECTION C-C



SECTION C-C  
SCALE 1:10



SECTION E-E  
SCALE 1:10



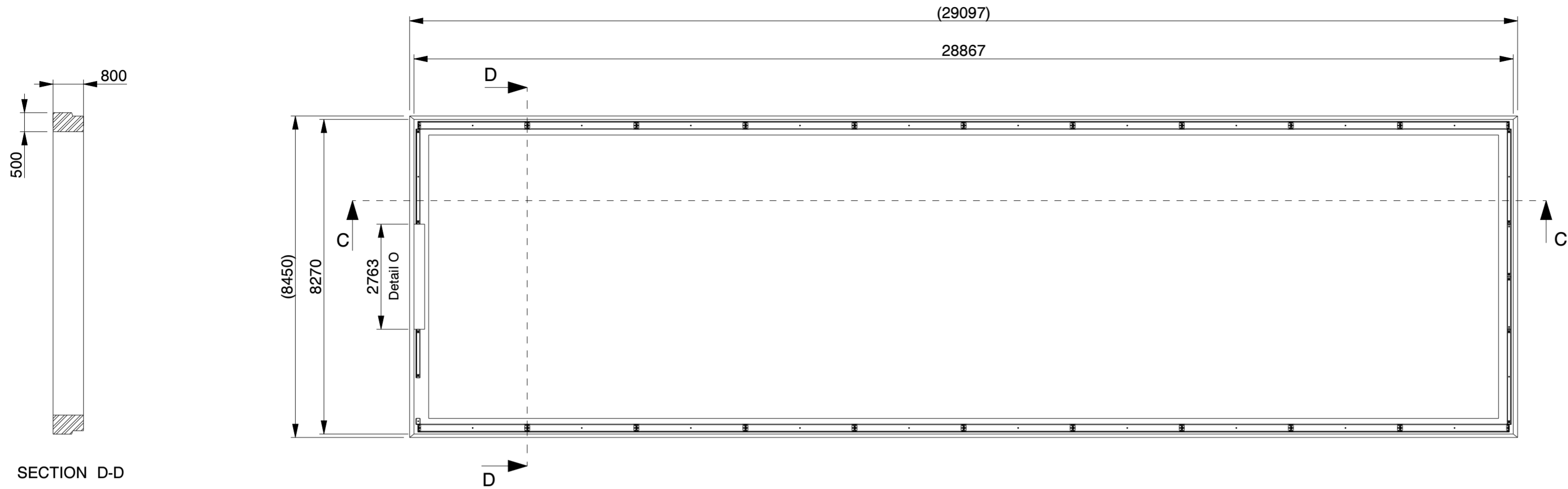
DETAIL O  
(NOT TO SCALE)

**Genehmigung / Approval / Goedkeuring**

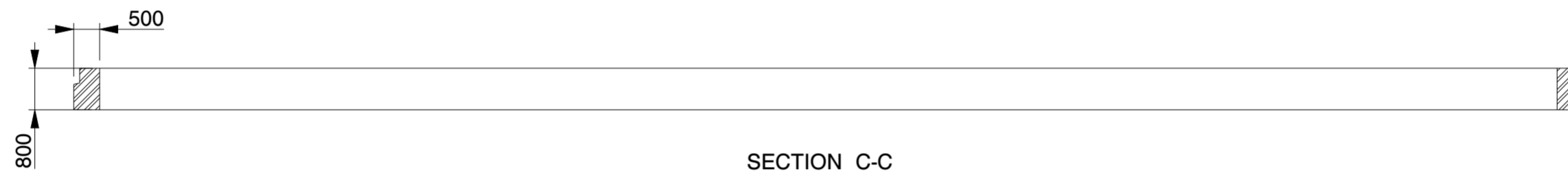
Kundenname: Client name: Klantnaam:		Firmenstempel: Company stamp: Firmastempel:
Datum: Date: Datum:		
Unterschrift: Signature: Handtekening:		

<b>KROFTMAN</b>	LASERCUT ACCORDING: EN-ISO 9013-5-4-1		MATERIAL: See List	
	MATERIAL CERTIFICATE: 3.1 (OR 2.2 WHEN S235JR)		TREATMENT: -	
	GALVANIZING ACCORDING: EN ISO 1461		STATUS: Released	
	BEND RADIUS UNLESS DEFINED R <sub>i</sub> =1			
TOLERANCES UNLESS OTHERWISE SPECIFIED:				
GENERAL ROUGHNESS Ra ✓	DIMENSION: ± 10	ANGLE: ± °	MODEL NUMBER LCA00150	REVISION: 0
DESCRIPTION: <b>Storage Building H8-33</b>				
SCALE: 1:100	UNITS: mm	PROJECTION: [Symbol]	MODIFIED ON: 08-09-2023	APPROVED ON: 08-09-2023
			MODIFIED BY: AVA	APPROVED BY: BVB
			MASS: 6792,0 kg	Sheet 3 of 4
				Size: A2

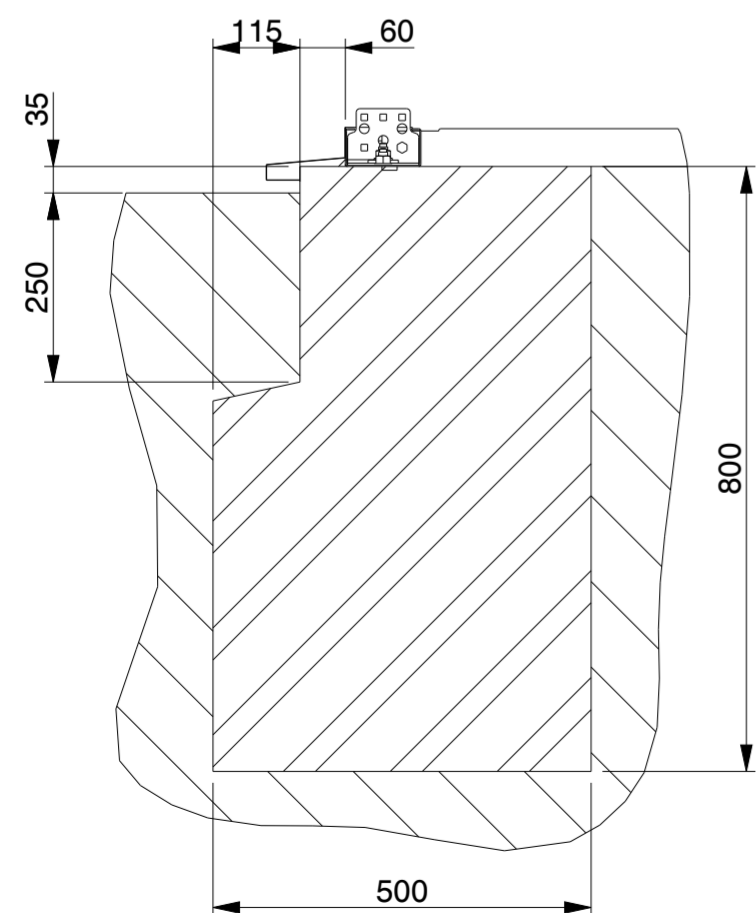
© KROFTMAN STRUCTURES B.V. Duplication and copying without written permission of the owner is prohibited



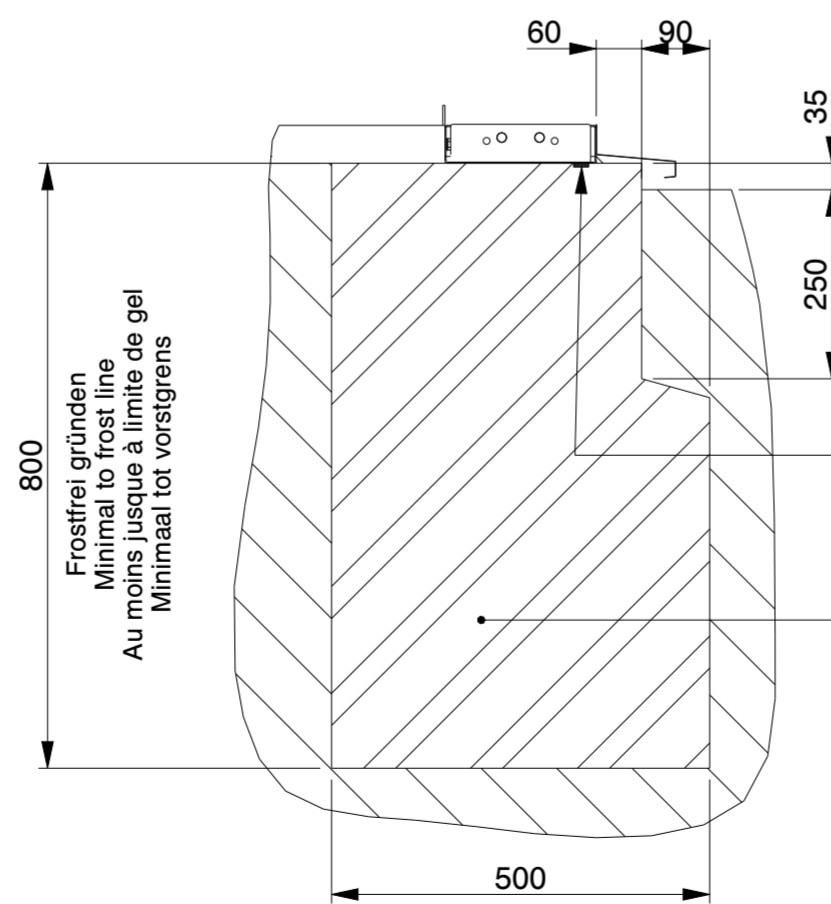
SECTION D-D



SECTION C-C



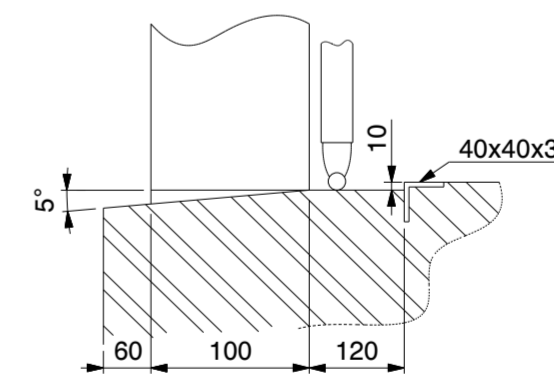
SECTION C-C  
SCALE 1:10



SECTION D-D  
SCALE 1:10

Butyl tape / Tixophalte sealing  
Butylband / Tixophalte abdichtung  
Ruban en butyle / joint en Tixophalte  
Butylband / Tixophalte afdichting

Bewehringsstahl wie in der Statik angegeben  
Reinforcement bar as indicated in the  
structural calculation  
Armature de béton comme indique dans  
le calcul de construction  
betonstaal volgens de statische berekening



DETAIL O  
(NOT TO SCALE)

**Genehmigung / Approval / Goedkeuring**

Kundenname: Client name: Klantnaam:		Firmenstempel: Company stamp: Firmastempel:
Datum: Date: Datum:		
Unterschrift: Signature: Handtekening:		

<b>KROFTMAN</b>	LASERCUT ACCORDING: EN-ISO 9013-5-4-1		MATERIAL: See List	
	MATERIAL CERTIFICATE: 3.1 (OR 2.2 WHEN S235JR)		TREATMENT: -	
	GALVANIZING ACCORDING: EN ISO 1461		STATUS: Released	
	BEND RADIUS UNLESS DEFINED R <sub>i</sub> =1			
TOLERANCES UNLESS OTHERWISE SPECIFIED:				
GENERAL ROUGHNESS R <sub>a</sub> ✓	DIMENSION: ± 10	ANGLE: ± °	MODEL NUMBER <b>LCA00150</b>	REVISION: <b>0</b>
DESCRIPTION: <b>Storage Building H8-33</b>				
SCALE: 1:100	UNITS: mm	PROJECTION: 	MODIFIED ON: 08-09-2023	APPROVED ON: 08-09-2023
			MODIFIED BY: AVA	APPROVED BY: BVB
			MASS: 6792,0 kg	Sheet 4 of 4
				Size: A2

© KROFTMAN STRUCTURES B.V. Duplication and copying without written permission of the owner is prohibited