

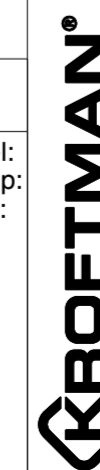
**Genehmigung / Approval / Goedkeuring**

Kundenname:  
Client name:  
Klantnaam:

Datum:  
Date:  
Datum:

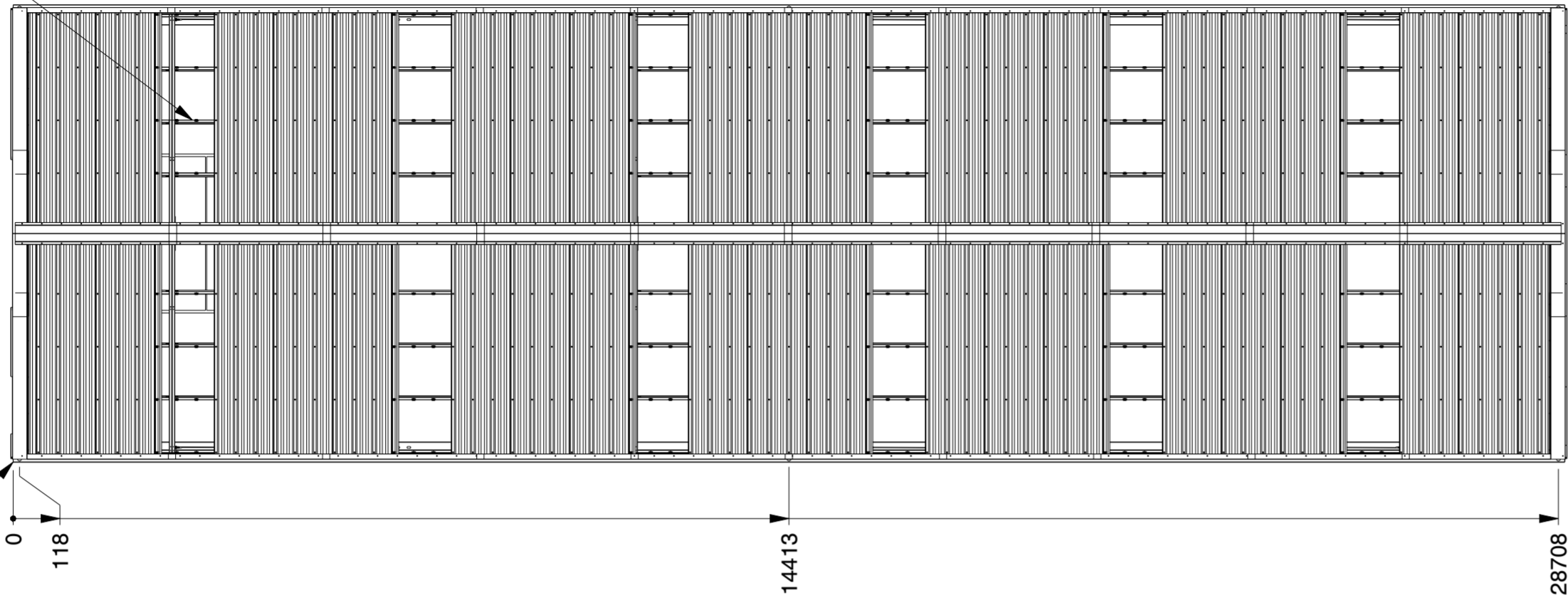
Unterschrift:  
Signature:  
Handtekening:

Firmenstempel:  
Company stamp:  
Firmastempel:



LASERCUT ACCORDING: EN-ISO 9013-5-4-1		MATERIAL: See List	
MATERIAL CERTIFICATE: 3.1 (OR 2.2 WHEN S235JR)		TREATMENT:	
GALVANIZING ACCORDING: EN ISO 1461		STATUS: Released	
BEND RADIUS UNLESS DEFINED R <sub>i</sub> =t		REVISION: 0	
TOLERANCES UNLESS OTHERWISE SPECIFIED:		MODEL NUMBER LCA00150	
GENERAL ROUGHNESS R <sub>a</sub> ✓	DIMENSION: ± 10	ANGLE: ± °	REVISION: 0
DESCRIPTION: Storage Building H8-33			
SCALE: 1:100	UNITS: mm	PROJECTION:	MODIFIED ON: 08-09-2023
			APPROVED ON: 08-09-2023
			MODIFIED BY: AVA
			APPROVED BY: BVB
			MASS: 15292,5 kg
			Sheet 1 of 4
			Size: A2

Sky lights  
Transparante Dachplatten  
Lichtpanelen



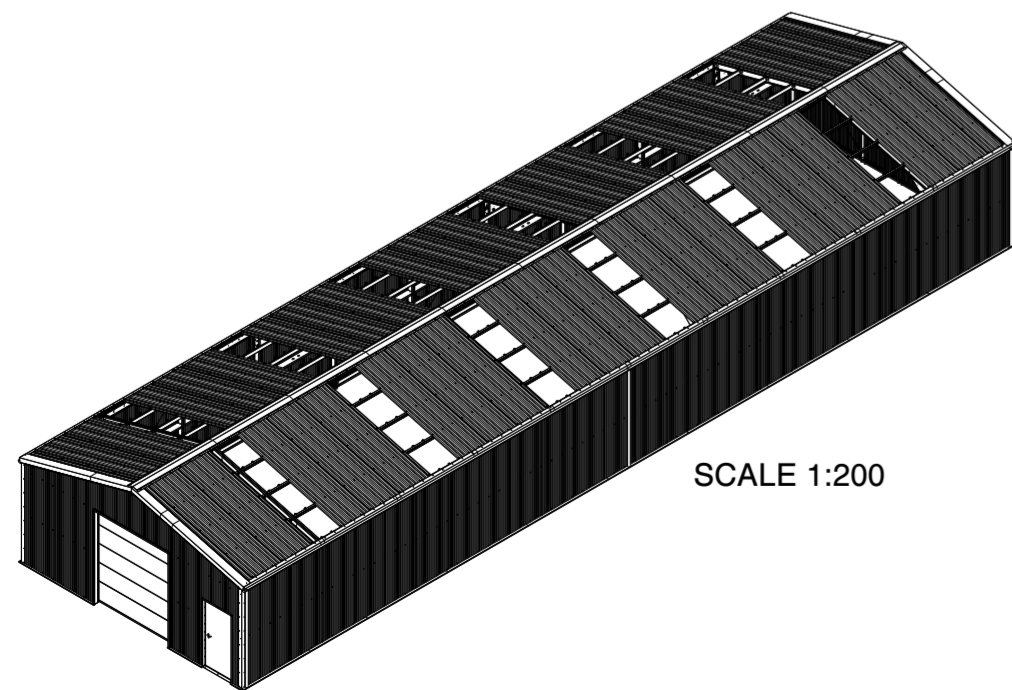
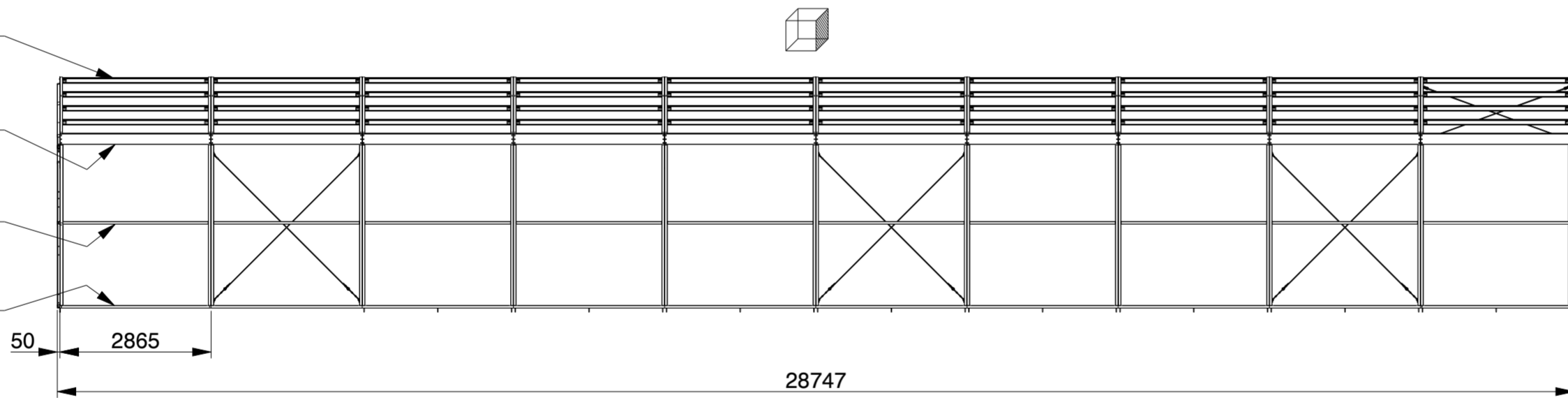
Optional Rain gutter  
Optional Regenrinne  
Optionnel Gouttière  
Optioneel Dakgoot

C100/50/13 t = 1.5mm  
S320GD Z275

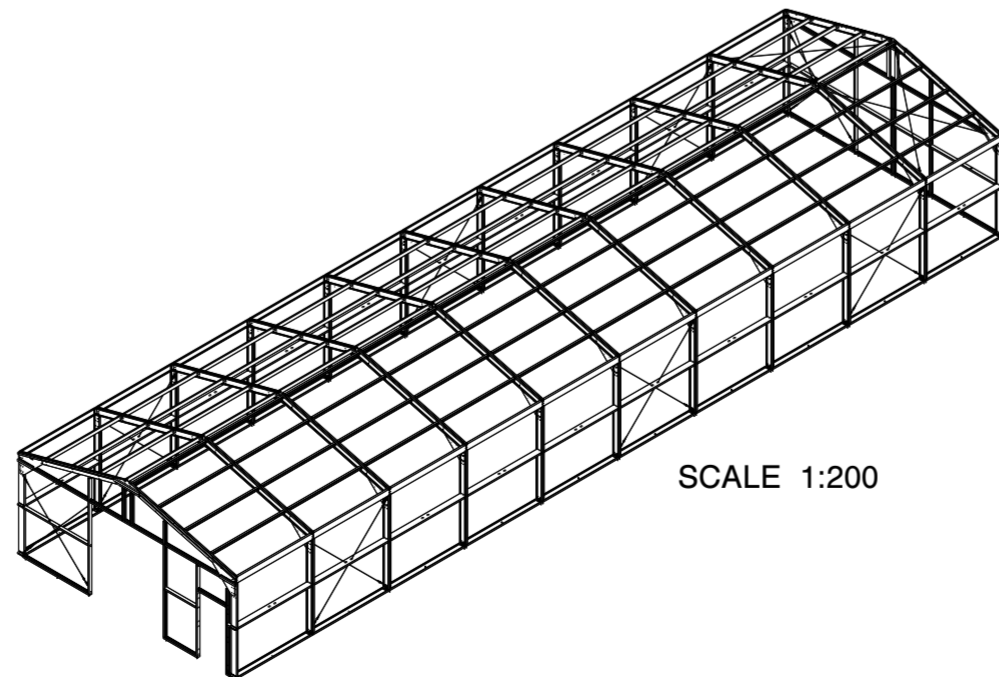
C200 + /50/15 t = 1.5mm  
S390GD Z275

C200/50/15 t = 1.5mm  
S320GD Z275

C200/50/15 t = 1.5mm  
S320GD Z275



SCALE 1:200



SCALE 1:200

**Genehmigung / Approval / Goedkeuring**

Kundenname: Client name: Klantnaam:		Firmenstempel: Company stamp: Firmastempel:	
Datum: Date: Datum:			
Unterschrift: Signature: Handtekening:			

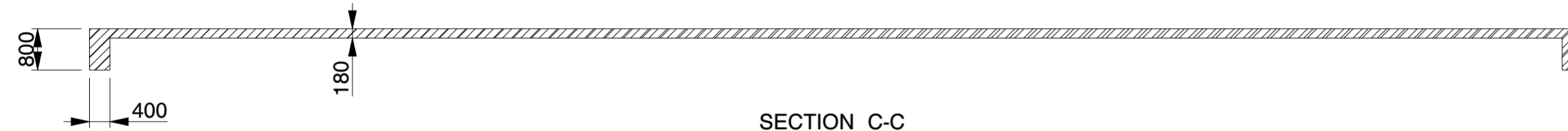
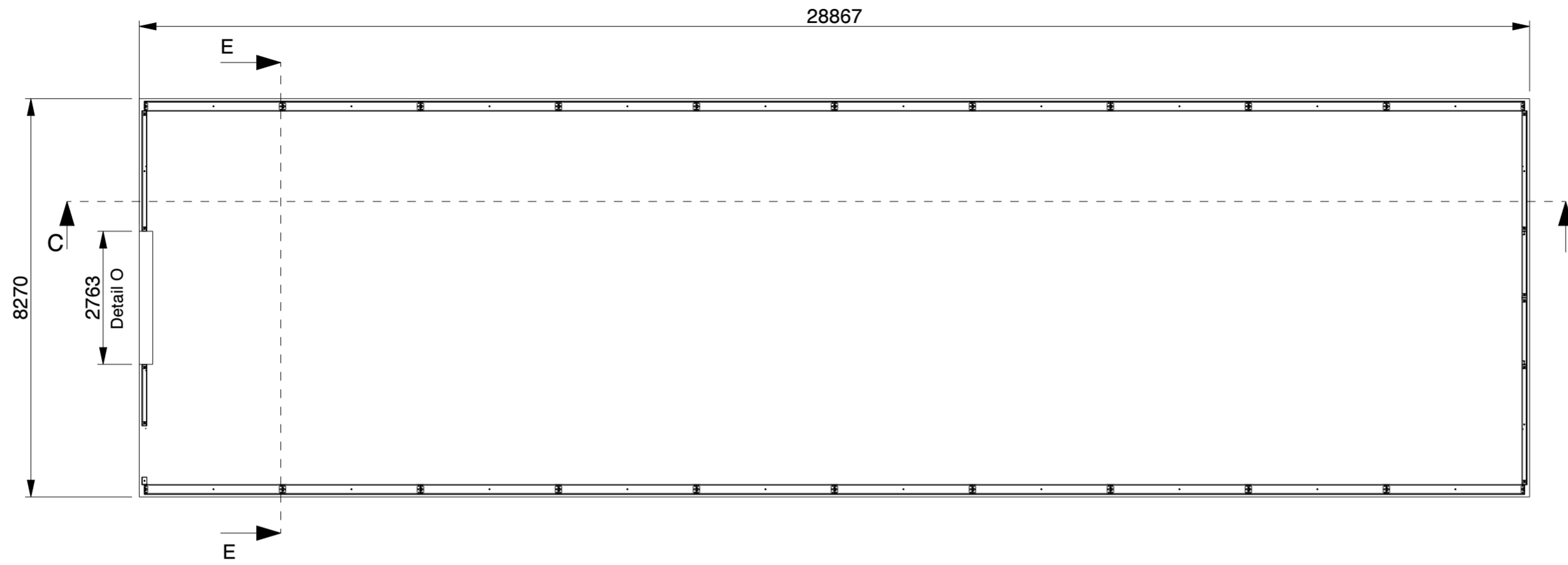
SANDWICH DACHPLATTE	SANDWICH ROOF PANEL	PANNEAU SANDWICH DE TOIT
POLYESTERBESCHICHTUNG	POLYESTER COATING	REVÊTEMENT POLYESTER
0.4MM STAHL (INNEN)	0.4MM STEEL (INSIDE)	0.4MM MÉTAL (INTERNE)
40/70MM PIR DÄMMSTOFF	40/70MM PIR INSULANT	40/70MM PIR ISOLANT
0.5MM STAHL (AUSSEN)	0.5MM STEEL (OUTSIDE)	0.5MM MÉTAL (EXTERNE)
POLYESTERBESCHICHTUNG	POLYESTER COATING	REVÊTEMENT POLYESTER

SANDWICHPLATTE WAND	SANDWICH WALL PANEL	PANNEAU SANDWICH PAROI
POLYESTERBESCHICHTUNG	POLYESTER COATING	REVÊTEMENT POLYESTER
0.4MM STAHL (INNEN)	0.4MM STEEL (INSIDE)	0.4MM MÉTAL (INTERNE)
40MM PIR DÄMMSTOFF	40MM PIR INSULANT	40MM PIR ISOLANT
0.5MM STAHL (AUSSEN)	0.5MM STEEL (OUTSIDE)	0.5MM MÉTAL (EXTERNE)
POLYESTERBESCHICHTUNG	POLYESTER COATING	REVÊTEMENT POLYESTER

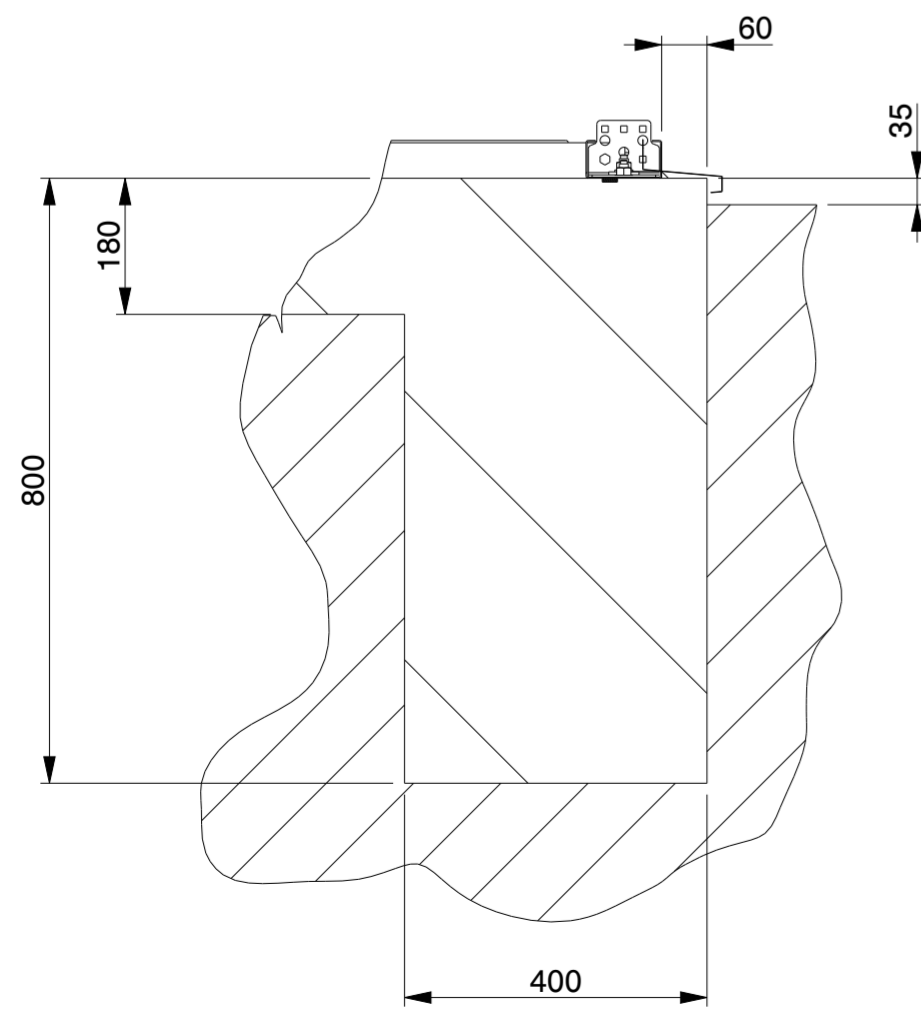
<b>KROFTMAN</b>	LASERCUT ACCORDING: EN-ISO 9013-5-4-1		MATERIAL: See List	
	MATERIAL CERTIFICATE: 3.1 (OR 2.2 WHEN S235JR)		TREATMENT: -	
	GALVANIZING ACCORDING: EN ISO 1461		STATUS: Released	
	BEND RADIUS UNLESS DEFINED R <sub>i</sub> =t			
TOLERANCES UNLESS OTHERWISE SPECIFIED:				
GENERAL ROUGHNESS R <sub>a</sub> ✓	DIMENSION: ± 10	ANGLE: ± °	MODEL NUMBER <b>LCA00150</b>	REVISION: <b>0</b>
DESCRIPTION: <b>Storage Building H8-33</b>				
SCALE: 1:100	UNITS: mm	PROJECTION: 	MODIFIED ON: 08-09-2023	APPROVED ON: 08-09-2023
			MODIFIED BY: AVA	APPROVED BY: BVB
			MASS: 15292,5 kg	Sheet 2 of 4
				Size: A2



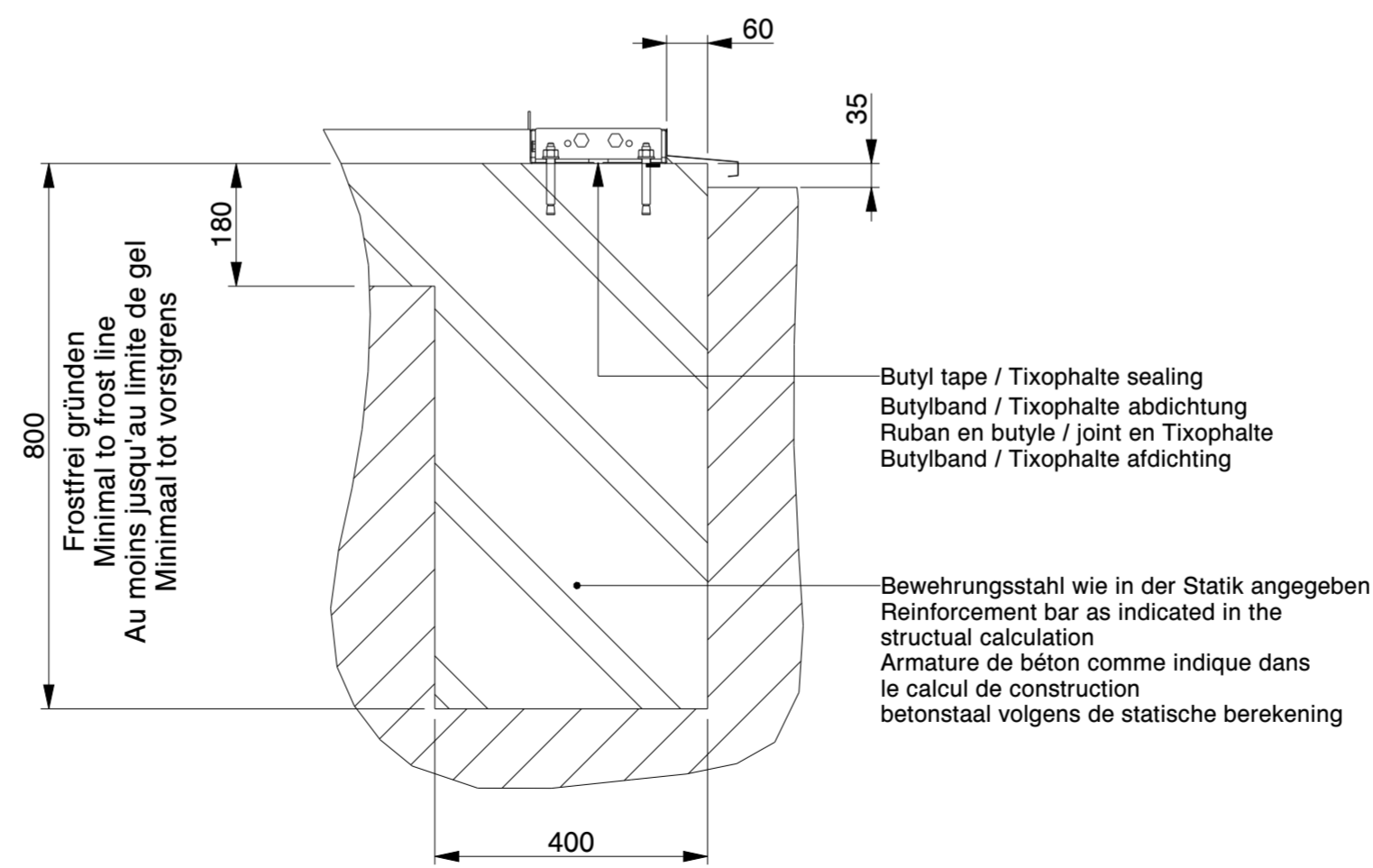
SECTION E-E



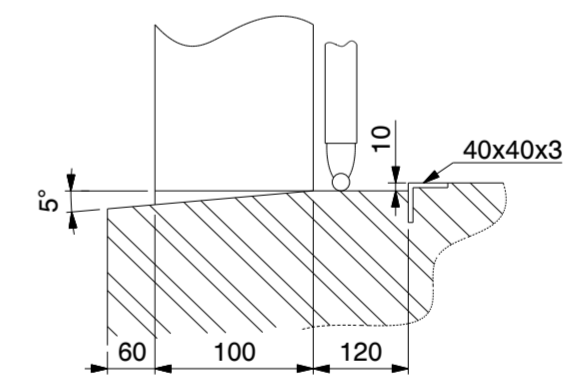
SECTION C-C



SECTION C-C  
SCALE 1:10



SECTION E-E  
SCALE 1:10



DETAIL O  
(NOT TO SCALE)

**Genehmigung / Approval / Goedkeuring**

Kundenname:  
Client name:  
Klantnaam:

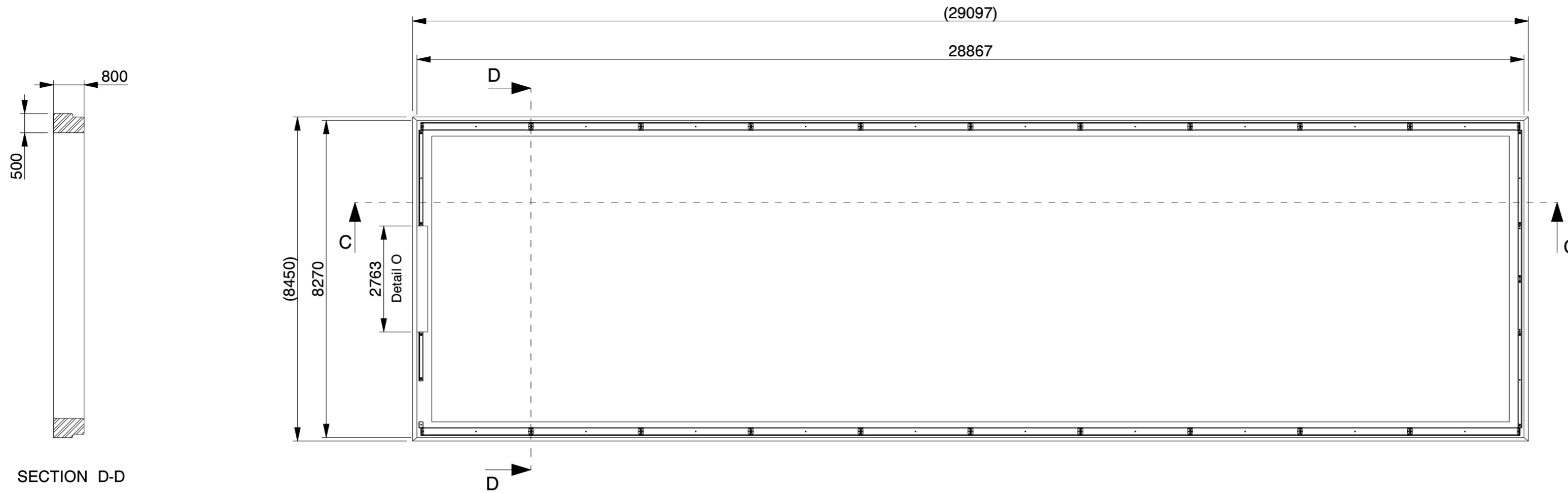
Firmenstempel:  
Company stamp:  
Firmastempel:

Datum:  
Date:  
Datum:

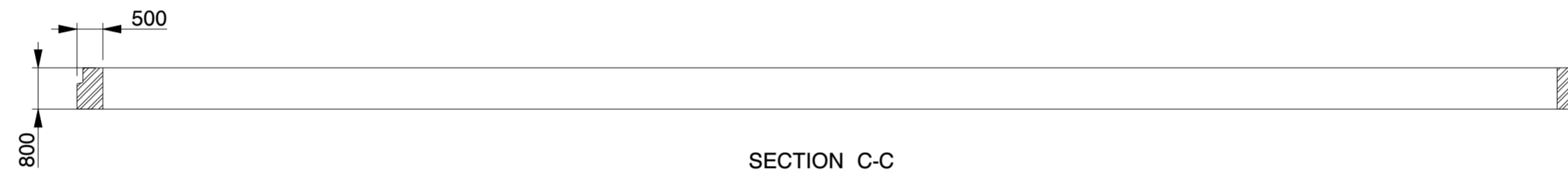
Unterschrift:  
Signature:  
Handtekening:

<b>KROFTMAN</b>	LASERCUT ACCORDING: EN-ISO 9013-5-4-1		MATERIAL: See List	
	MATERIAL CERTIFICATE: 3.1 (OR 2.2 WHEN S235JR)		TREATMENT: -	
	GALVANIZING ACCORDING: EN ISO 1461		STATUS: Released	
	BEND RADIUS UNLESS DEFINED R <sub>i</sub> =1		REVISION: <b>0</b>	
TOLERANCES UNLESS OTHERWISE SPECIFIED:				
GENERAL ROUGHNESS Ra ✓	DIMENSION: ± 10	ANGLE: ± °	MODEL NUMBER <b>LCA00150</b>	REVISION: <b>0</b>
DESCRIPTION: <b>Storage Building H8-33</b>				
SCALE: 1:100	UNITS: mm	PROJECTION: 	MODIFIED ON: 08-09-2023	APPROVED ON: 08-09-2023
			MODIFIED BY: AVA	APPROVED BY: BVB
			MASS: 15292,5 kg	Sheet 3 of 4
				Size: A2

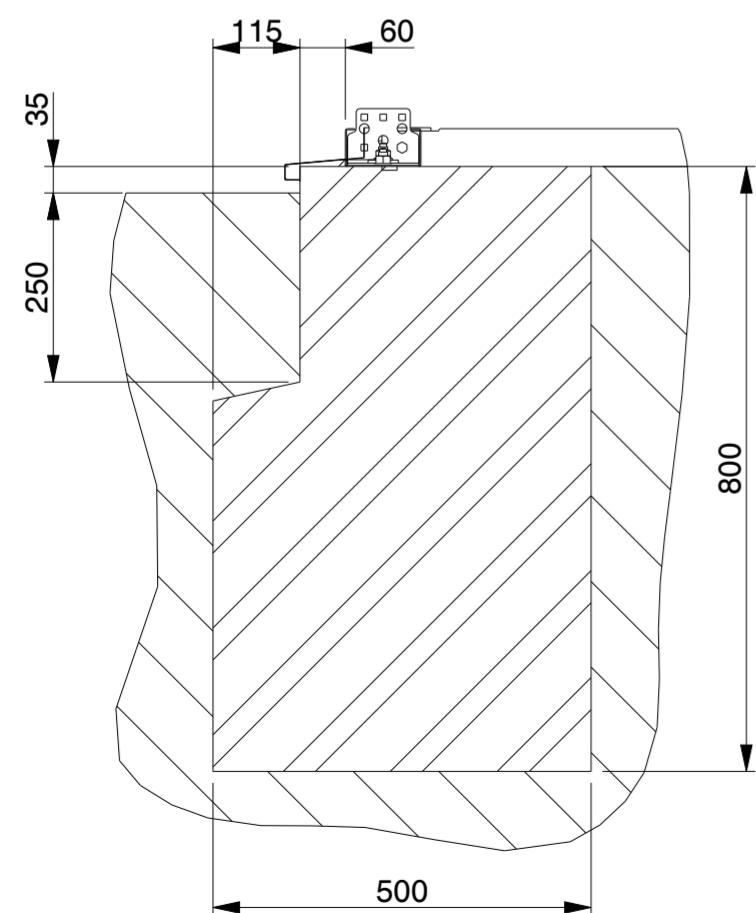
© KROFTMAN STRUCTURES B.V. Duplication and copying without written permission of the owner is prohibited



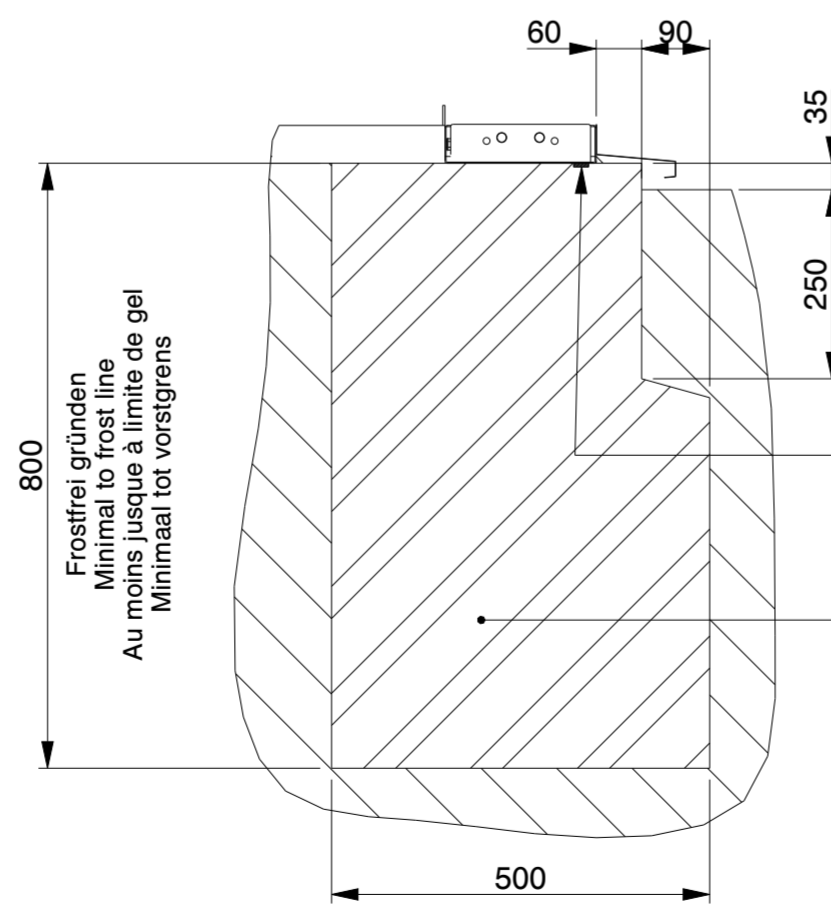
SECTION D-D



SECTION C-C



SECTION C-C  
SCALE 1:10

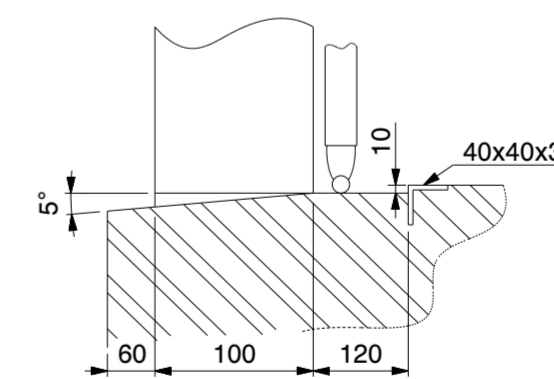


SECTION D-D  
SCALE 1:10

Frostfrei gründen  
Minimal to frost line  
Au moins jusque à limite de gel  
Minimaal tot vorstgrens

Butyl tape / Tixophalte sealing  
Butylband / Tixophalte abdichtung  
Ruban en butyle / joint en Tixophalte  
Butylband / Tixophalte afdichting

Bewehringsstahl wie in der Statik angegeben  
Reinforcement bar as indicated in the  
structural calculation  
Armature de béton comme indique dans  
le calcul de construction  
betonstaal volgens de statische berekening



DETAIL O  
(NOT TO SCALE)

**Genehmigung / Approval / Goedkeuring**

Kundenname: Client name: Klantnaam:		Firmenstempel: Company stamp: Firmastempel:
Datum: Date: Datum:		
Unterschrift: Signature: Handtekening:		

<b>KROFTMAN</b>	LASERCUT ACCORDING: EN-ISO 9013-5-4-1		MATERIAL: See List	
	MATERIAL CERTIFICATE: 3.1 (OR 2.2 WHEN S235JR)		TREATMENT: -	
	GALVANIZING ACCORDING: EN ISO 1461		STATUS: Released	
	BEND RADIUS UNLESS DEFINED R <sub>i</sub> =1			
TOLERANCES UNLESS OTHERWISE SPECIFIED:				
GENERAL ROUGHNESS R <sub>a</sub> ✓	DIMENSION: ± 10	ANGLE: ± °	MODEL NUMBER LCA00150	REVISION: 0
DESCRIPTION: <b>Storage Building H8-33</b>				
SCALE: 1:100	UNITS: mm	PROJECTION: [Symbol]	MODIFIED ON: 08-09-2023 MODIFIED BY: AVA	APPROVED ON: 08-09-2023 APPROVED BY: BVB
MASS: 15292,5 kg		Sheet 4 of 4		Size: A2
© KROFTMAN STRUCTURES B.V. Duplication and copying without written permission of the owner is prohibited				