

**Genehmigung / Approval / Goedkeuring**

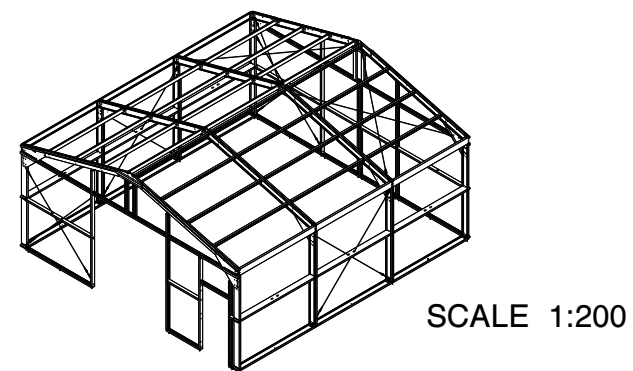
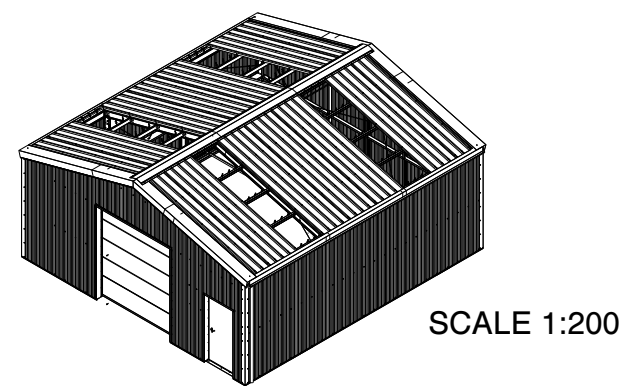
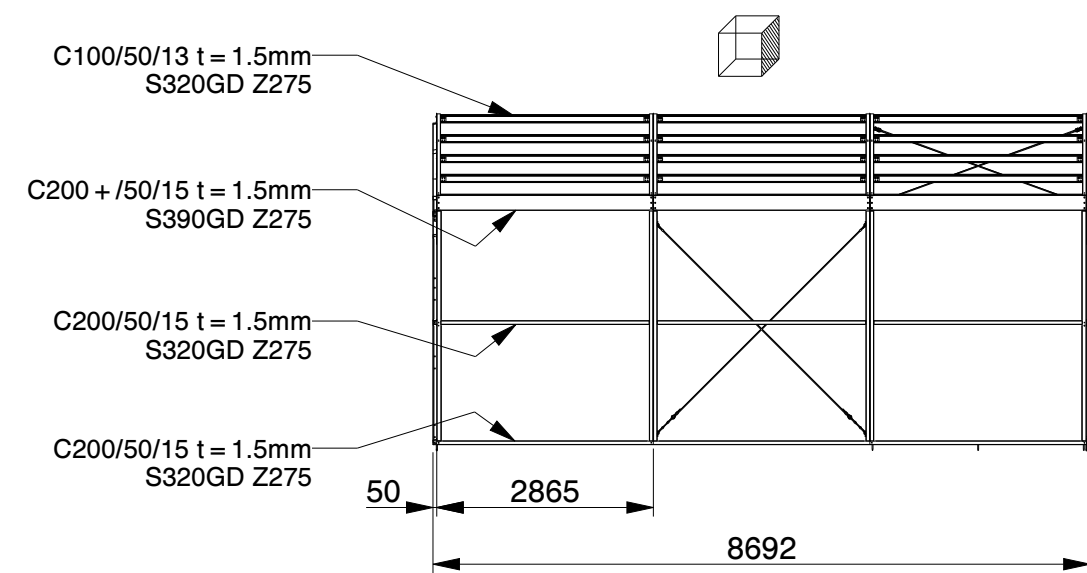
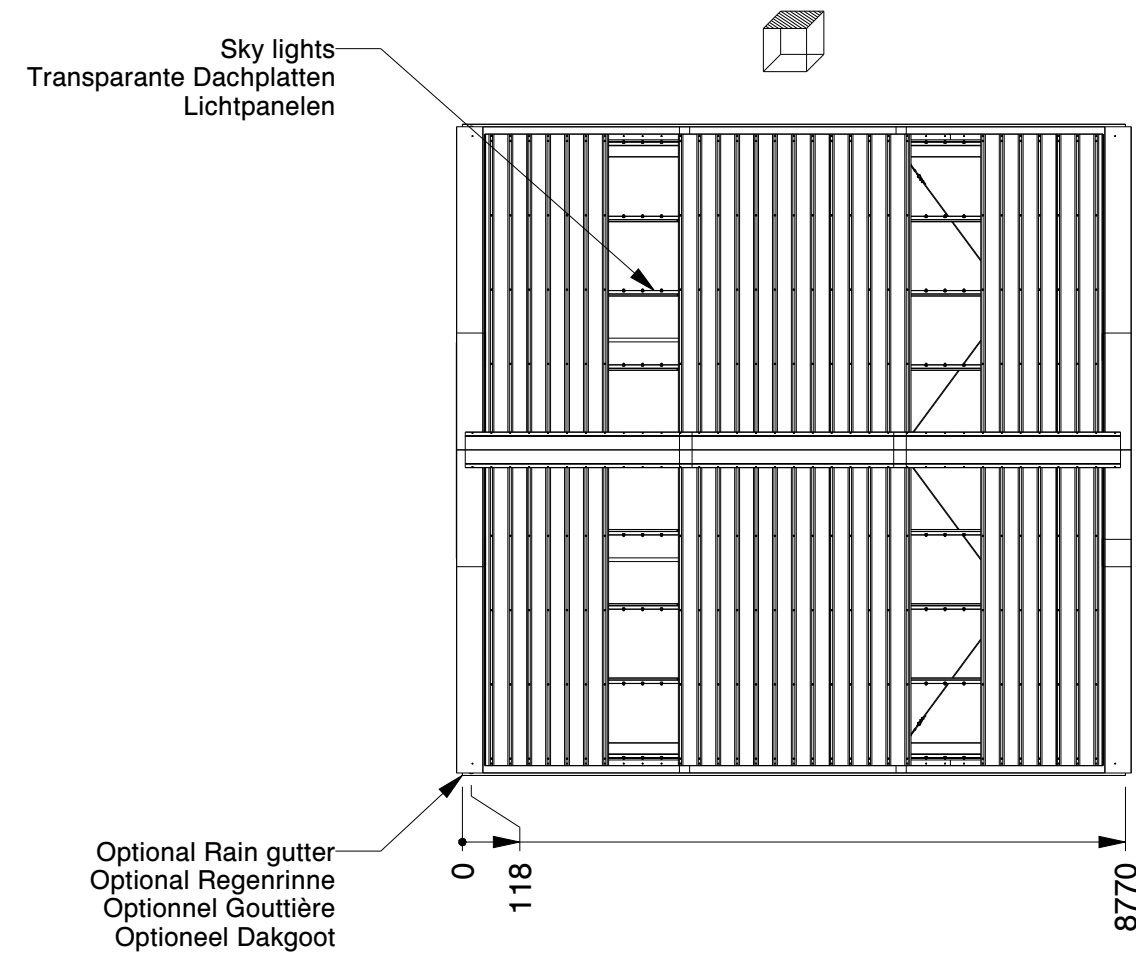
Kundenname:  
Client name:  
Klantnaam:

Datum:  
Date:  
Datum:

Unterschrift:  
Signature:  
Handtekening:

Firmenstempel:  
Company stamp:  
Firmastempel:

|  |                    |                                 |  |
|--|--------------------|---------------------------------|--|
| LASERCUT ACCORDING: EN-ISO 9013-5-4-1          |                    | MATERIAL:<br>See List           |  |
| MATERIAL CERTIFICATE: 3.1 (OR 2.2 WHEN S235JR) |                    | TREATMENT:<br>-                 |  |
| GALVANIZING ACCORDING: EN ISO 1461             |                    | STATUS: Released                |  |
| BEND RADIUS UNLESS DEFINED R <sub>i</sub> =t   |                    | MODEL NUMBER<br><b>LCA00150</b> |  |
| TOLERANCES UNLESS OTHERWISE SPECIFIED:         |                    | REVISION:<br><b>0</b>           |  |
| GENERAL<br>ROUGHNESS<br>R <sub>a</sub> ✓       | DIMENSION:<br>± 10 | ANGLE:<br>± °                   |  |
| DESCRIPTION:<br><b>Storage Building H8-33</b>  |                    |                                 |  |
| SCALE:<br>1:100                                | UNITS:<br>mm       | PROJECTION:<br>FIRST ANGLE      | MODIFIED ON: 08-09-2023<br>APPROVED ON: 08-09-2023 |
| MODIFIED BY: AVA                               |                    | APPROVED BY: BVB                |  |
| MASS: 8778,4 kg                                |                    | Sheet 1 of 4 Size: A2           |  |



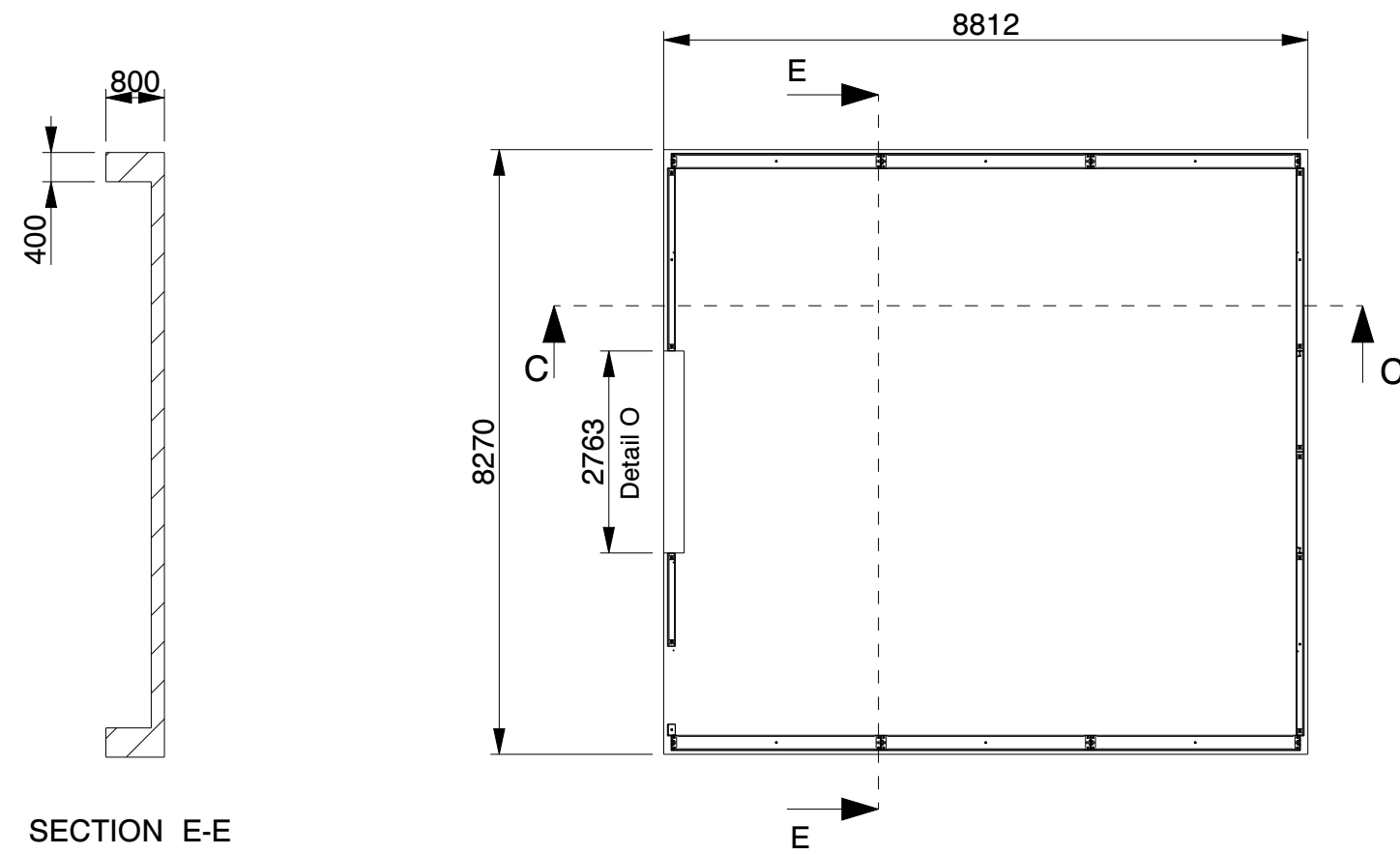
| SANDWICH DACHPLATTE     | SANDWICH ROOF PANEL    | PANNEAU SANDWICH DE TOIT |
|-------------------------|------------------------|--------------------------|
| POLYESTERBESCHICHTUNG   | POLYESTER COATING      | REVÊTEMENT POLYESTER     |
| 0.4MM STAHL (INNEN)     | 0.4MM STEEL (INSIDE)   | 0.4MM MÉTAL (INTERNE)    |
| 100/133MM PIR DÄMMSTOFF | 100/133MM PIR INSULANT | 100/133MM PIR ISOLANT    |
| 0.5MM STAHL (AUSSEN)    | 0.5MM STEEL (OUTSIDE)  | 0.5MM MÉTAL (EXTERNE)    |
| POLYESTERBESCHICHTUNG   | POLYESTER COATING      | REVÊTEMENT POLYESTER     |

| SANDWICHPLATTE WAND   | SANDWICH WALL PANEL   | PANNEAU SANDWICH PAROI |
|-----------------------|-----------------------|------------------------|
| POLYESTERBESCHICHTUNG | POLYESTER COATING     | REVÊTEMENT POLYESTER   |
| 0.4MM STAHL (INNEN)   | 0.4MM STEEL (INSIDE)  | 0.4MM MÉTAL (INTERNE)  |
| 100MM PIR DÄMMSTOFF   | 100MM PIR INSULANT    | 100MM PIR ISOLANT      |
| 0.5MM STAHL (AUSSEN)  | 0.5MM STEEL (OUTSIDE) | 0.5MM MÉTAL (EXTERNE)  |
| POLYESTERBESCHICHTUNG | POLYESTER COATING     | REVÊTEMENT POLYESTER   |

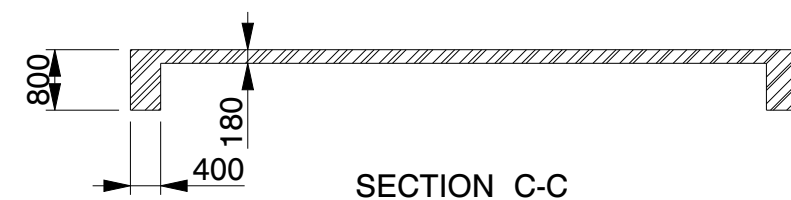
**Genehmigung / Approval / Goedkeuring**

|  |  |                                  |  |
|--|--|----------------------------------|--|
| Kundenname:<br>Client name:                  |  | Firmenstempel:<br>Company stamp: |  |
| Datum:<br>Date:<br>Datum:                    |  |                                  |  |
| Unterschrift:<br>Signature:<br>Handtekening: |  |                                  |  |

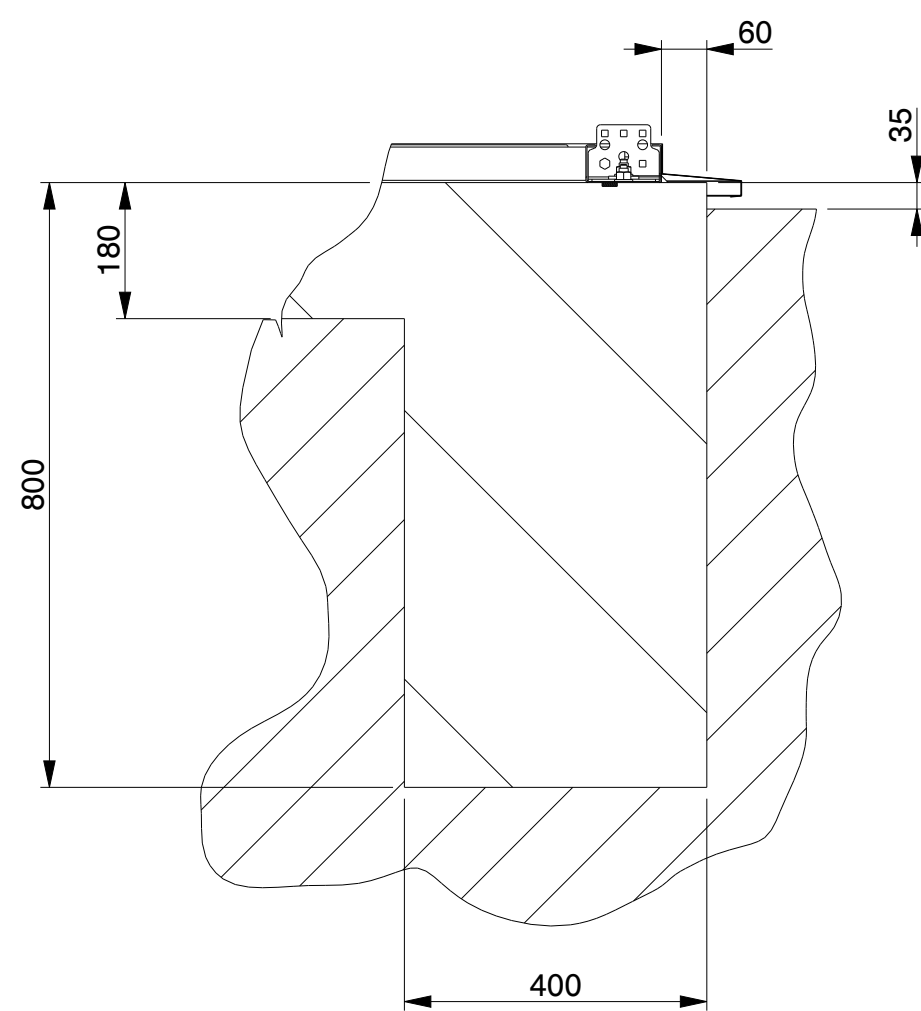
|   |  |                 |                                 |                         |
|---|--|-----------------|---------------------------------|-------------------------|
| <b>KROFTMAN</b>                               | LASERCUT ACCORDING: EN-ISO 9013-5-4-1          |                 | MATERIAL:<br>See List           |                         |
|   | MATERIAL CERTIFICATE: 3.1 (OR 2.2 WHEN S235JR) |                 | TREATMENT:<br>-                 |                         |
|   | GALVANIZING ACCORDING: EN ISO 1461             |                 | STATUS: Released                |                         |
|   | BEND RADIUS UNLESS DEFINED R <sub>i</sub> =t   |                 |                                 |                         |
| TOLERANCES UNLESS OTHERWISE SPECIFIED:        |  |                 |                                 |                         |
| GENERAL ROUGHNESS<br>R <sub>a</sub> ✓         | DIMENSION:<br>± 10                             | ANGLE:<br>± °   | MODEL NUMBER<br><b>LCA00150</b> | REVISION:<br><b>0</b>   |
| DESCRIPTION:<br><b>Storage Building H8-33</b> |  |                 |                                 |                         |
| SCALE:<br>1:100                               | UNITS:<br>mm                                   | PROJECTION:<br> | MODIFIED ON: 08-09-2023         | APPROVED ON: 08-09-2023 |
|   |  |                 | MODIFIED BY: AVA                | APPROVED BY: BVB        |
|   |  |                 | MASS: 8778,4 kg                 | Sheet 2 of 4            |
|   |  |                 |                                 | Size: A2                |



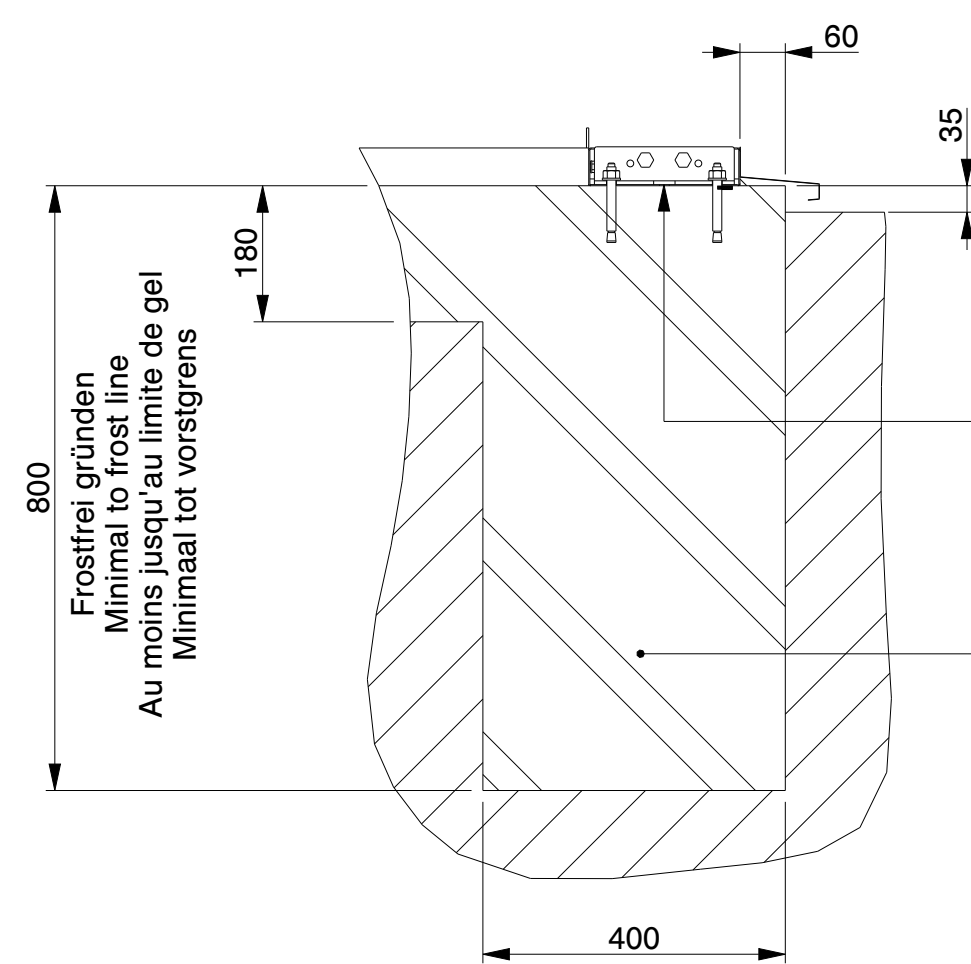
SECTION E-E



SECTION C-C



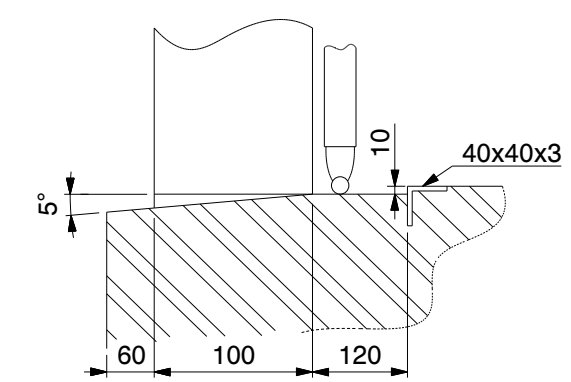
SECTION C-C  
SCALE 1:10



SECTION E-E  
SCALE 1:10

Butyl tape / Tixophalte sealing  
Butylband / Tixophalte abdichtung  
Ruban en butyle / joint en Tixophalte  
Butylband / Tixophalte afdichting

Bewehringsstaal wie in der Statik angegeben  
Reinforcement bar as indicated in the  
structural calculation  
Armature de béton comme indique dans  
le calcul de construction  
betonstaal volgens de statische berekening



DETAIL O  
(NOT TO SCALE)

**Genehmigung / Approval / Goedkeuring**

Kundenname:  
Client name:  
Klantnaam:

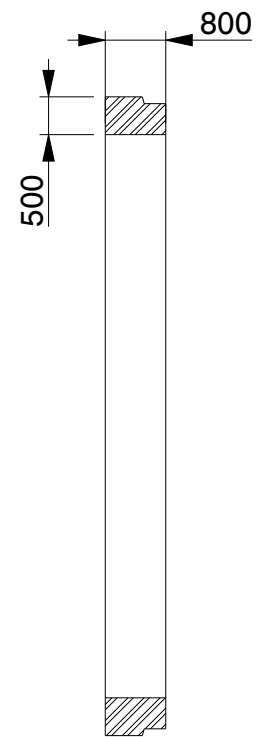
Firmenstempel:  
Company stamp:  
Firmastempel:

Datum:  
Date:  
Datum:

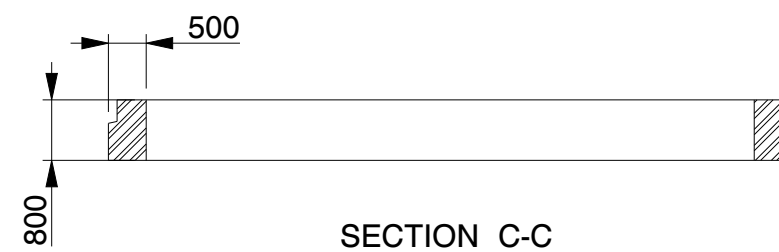
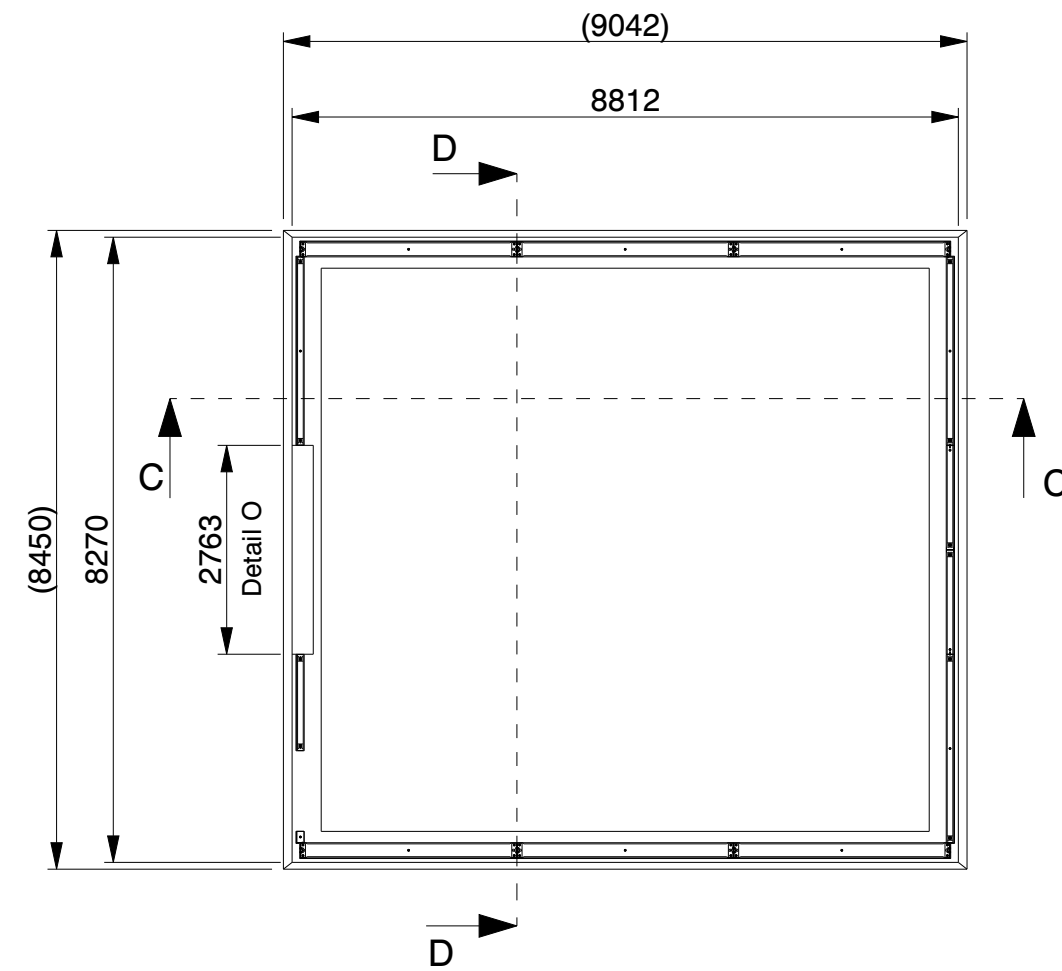
Unterschrift:  
Signature:  
Handtekening:

|   |  |                 |                                 |                         |
|---|--|-----------------|---------------------------------|-------------------------|
| <b>KROFTMAN</b>                               | LASERCUT ACCORDING: EN-ISO 9013-5-4-1          |                 | MATERIAL:<br>See List           |                         |
|   | MATERIAL CERTIFICATE: 3.1 (OR 2.2 WHEN S235JR) |                 | TREATMENT:<br>-                 |                         |
|   | GALVANIZING ACCORDING: EN ISO 1461             |                 | STATUS: Released                |                         |
|   | BEND RADIUS UNLESS DEFINED R <sub>i</sub> =1   |                 |                                 |                         |
| TOLERANCES UNLESS OTHERWISE SPECIFIED:        |  |                 |                                 |                         |
| GENERAL<br>ROUGHNESS<br>R <sub>a</sub> ✓      | DIMENSION:<br>± 10                             | ANGLE:<br>± °   | MODEL NUMBER<br><b>LCA00150</b> | REVISION:<br><b>0</b>   |
| DESCRIPTION:<br><b>Storage Building H8-33</b> |  |                 |                                 |                         |
| SCALE:<br>1:100                               | UNITS:<br>mm                                   | PROJECTION:<br> | MODIFIED ON: 08-09-2023         | APPROVED ON: 08-09-2023 |
|   |  |                 | MODIFIED BY: AVA                | APPROVED BY: BVB        |
|   |  |                 | MASS: 8778,4 kg                 | Sheet 3 of 4            |
|   |  |                 |                                 | Size: A2                |

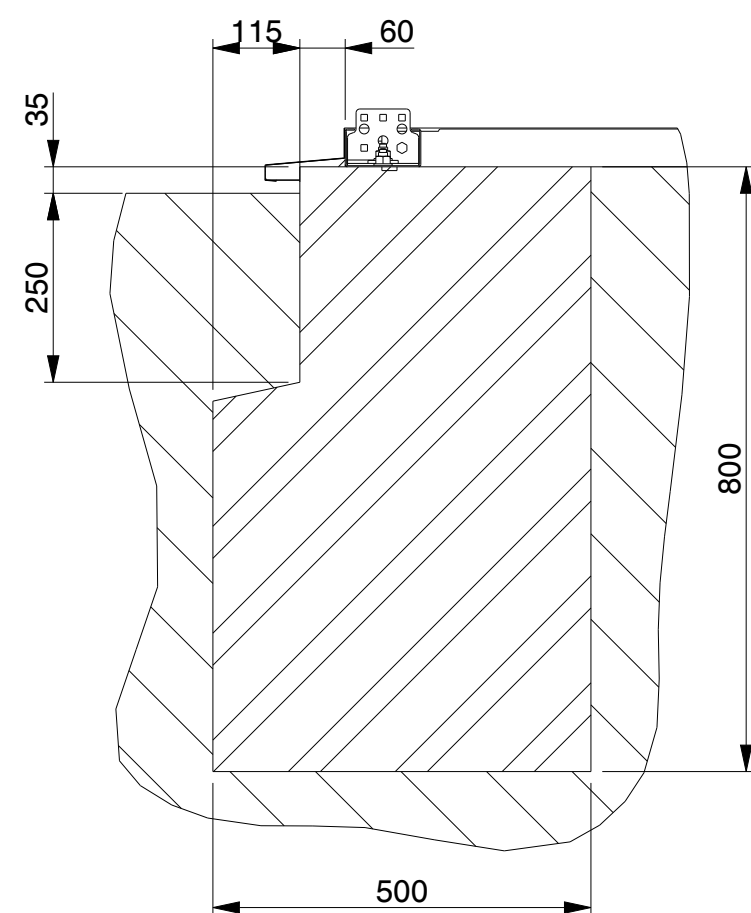
© KROFTMAN STRUCTURES B.V. Duplication and copying without written permission of the owner is prohibited



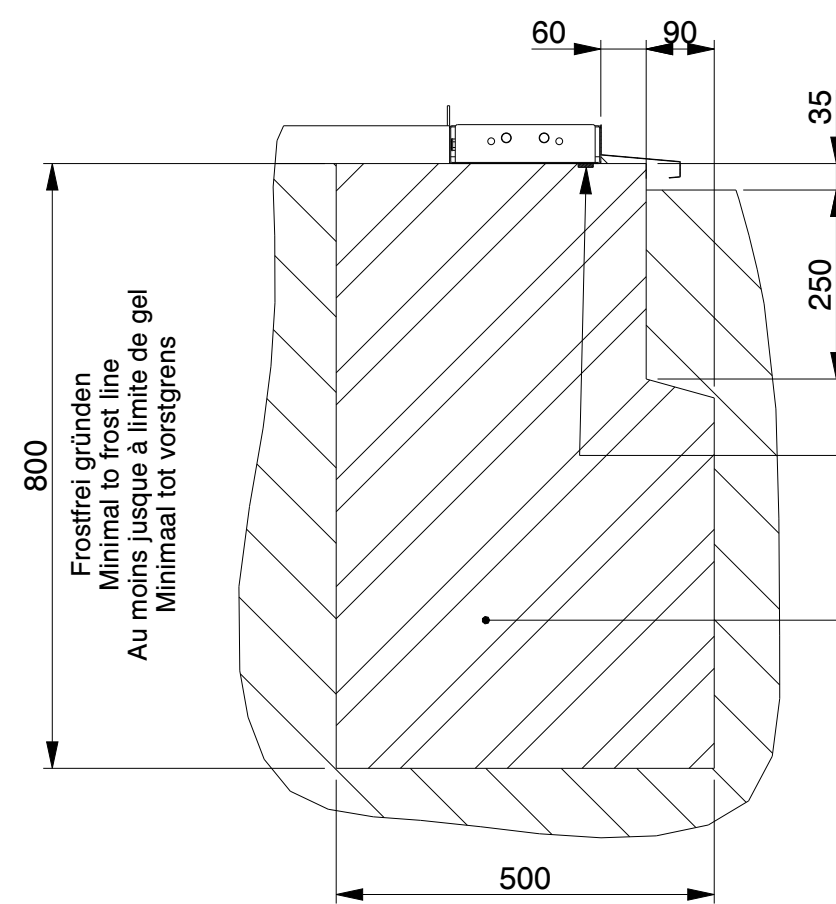
SECTION D-D



SECTION C-C



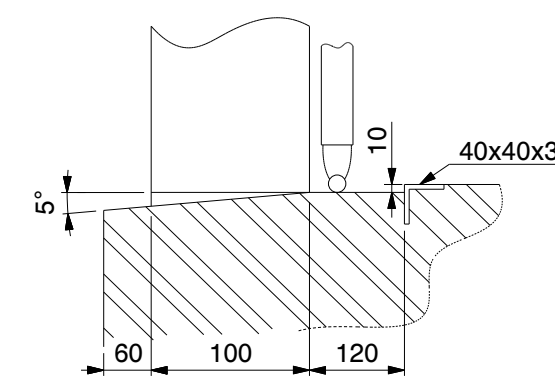
SECTION C-C  
SCALE 1:10



SECTION D-D  
SCALE 1:10

Butyl tape / Tixophalte sealing  
Butylband / Tixophalte abdichtung  
Ruban en butyle / joint en Tixophalte  
Butylband / Tixophalte afdichting

Bewehringsstaal wie in der Statik angegeben  
Reinforcement bar as indicated in the  
structural calculation  
Armature de béton comme indique dans  
le calcul de construction  
betonstaal volgens de statische berekening



DETAIL O  
(NOT TO SCALE)

**Genehmigung / Approval / Goedkeuring**

|  |  |   |
|--|--|---|
| Kundenname:<br>Client name:<br>Klantnaam:    |  | Firmenstempel:<br>Company stamp:<br>Firmastempel: |
| Datum:<br>Date:<br>Datum:                    |  |   |
| Unterschrift:<br>Signature:<br>Handtekening: |  |   |

|  |  |                 |   |   |
|--|--|-----------------|---|---|
| <b>KROFTMAN</b>                            | LASERCUT ACCORDING: EN-ISO 9013-5-4-1          |                 | MATERIAL:<br>See List                       |   |
|  | MATERIAL CERTIFICATE: 3.1 (OR 2.2 WHEN S235JR) |                 | TREATMENT:<br>-                             |   |
|  | GALVANIZING ACCORDING: EN ISO 1461             |                 | STATUS: Released                            |   |
|  | BEND RADIUS UNLESS DEFINED R <sub>i</sub> =1   |                 |   |   |
| TOLERANCES UNLESS OTHERWISE SPECIFIED:     |  |                 |   |   |
| GENERAL<br>ROUGHNESS<br>R <sub>a</sub> ✓   | DIMENSION:<br>± 10                             | ANGLE:<br>± °   | MODEL NUMBER<br><b>LCA00150</b>             | REVISION:<br><b>0</b>                       |
| DESCRIPTION: <b>Storage Building H8-33</b> |  |                 |   |   |
| SCALE:<br>1:100                            | UNITS:<br>mm                                   | PROJECTION:<br> | MODIFIED ON: 08-09-2023<br>MODIFIED BY: AVA | APPROVED ON: 08-09-2023<br>APPROVED BY: BVB |
|  |  | MASS: 8778,4 kg |   | Sheet 4 of 4<br>Size: A2                    |

© KROFTMAN STRUCTURES B.V. Duplication and copying without written permission of the owner is prohibited