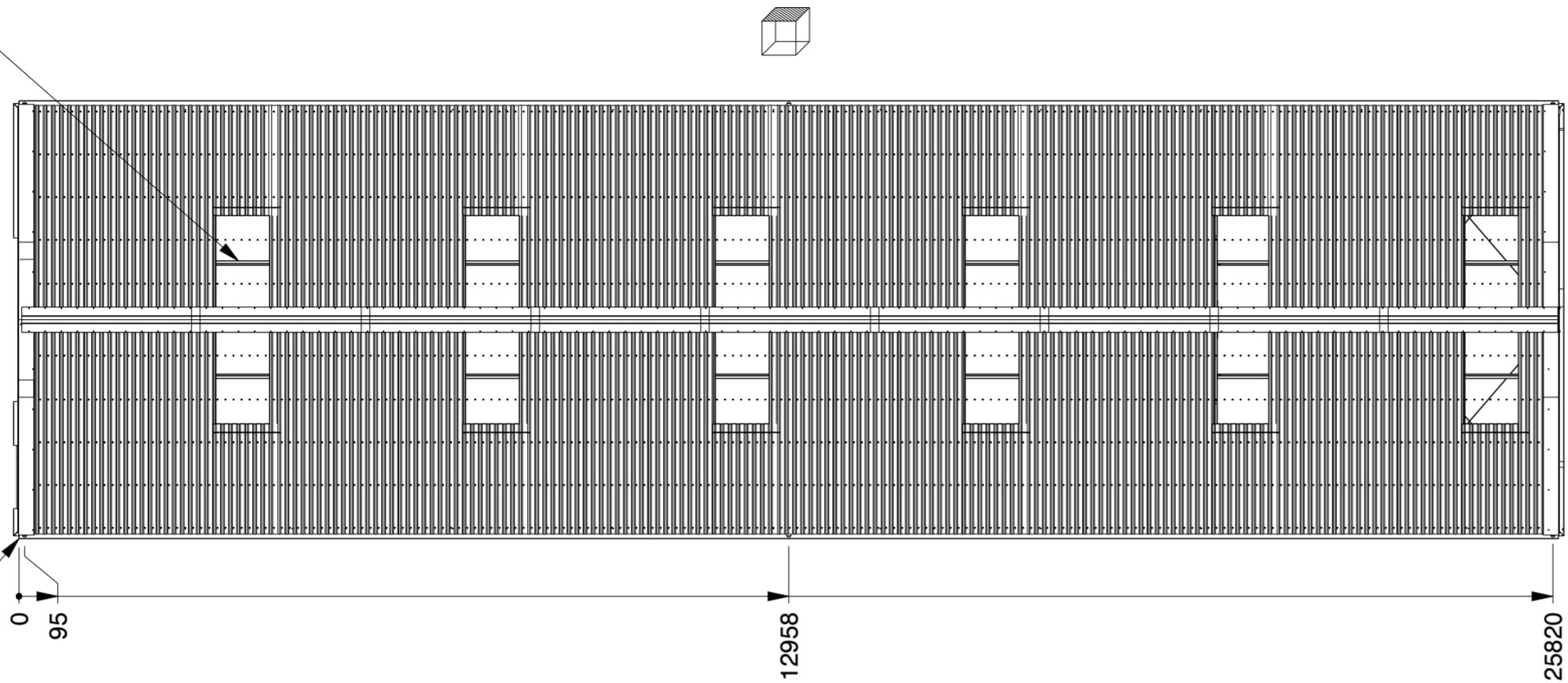


Genehmigung / Approval / Goedkeuring		
Kundenname: Client name: Klantnaam:		Firmenstempel: Company stamp: Firmastempel:
Datum: Date: Datum:		
Unterschrift: Signature: Handtekening:		

<b>KROFTMAN</b>	LASERCUT ACCORDING: EN-ISO 9013-5-4-1		MATERIAL: See List	
	MATERIAL CERTIFICATE: 3.1 (OR 2.2 WHEN S235JR)		TREATMENT: -	
	GALVANIZING ACCORDING: EN ISO 1461		STATUS: Released	
	BEND RADIUS UNLESS DEFINED R <sub>i</sub> =t			
GENERAL ROUGHNESS Ra ✓	DIMENSION: ±	ANGLE: ±°	MODEL NUMBER <b>LCA00145</b>	REVISION: <b>0</b>
DESCRIPTION: <b>Storage Building H7-33</b>				
SCALE: 1:100	UNITS: mm	PROJECTION: 	MODIFIED ON: 08-09-2023	APPROVED ON: 08-09-2023
			MODIFIED BY: AVA	APPROVED BY: BVB
			MASS: 5857,0 kg	Sheet 1 of 4 Size: A2
© KROFTMAN STRUCTURES B.V. Duplication and copying without written permission of the owner is prohibited				

Sky lights  
Transparante Dachplatten  
lichtpanelen

Optional Rain gutter  
Optional Regenrinne  
Optionnel Gouttière  
Optioneel Dakgoot

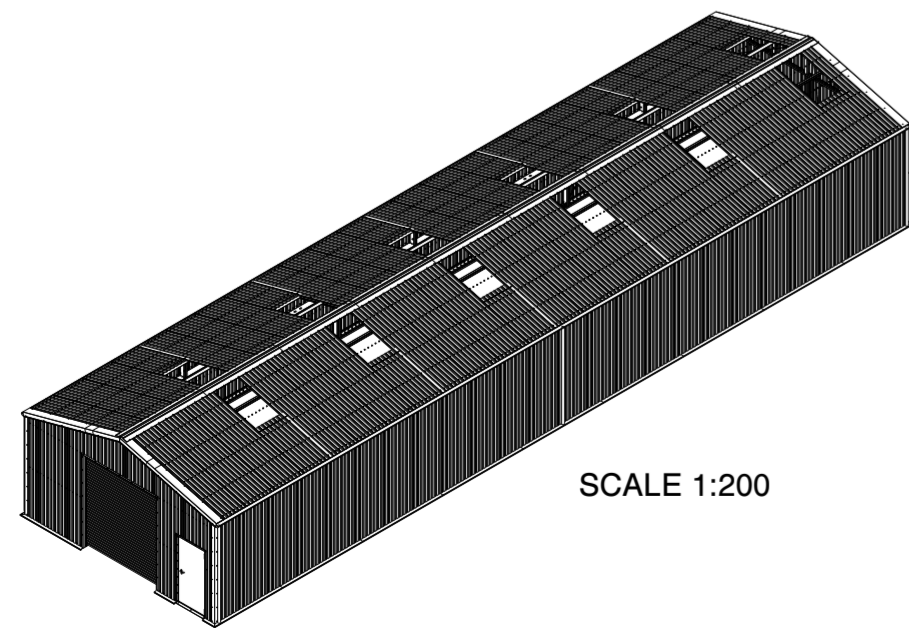
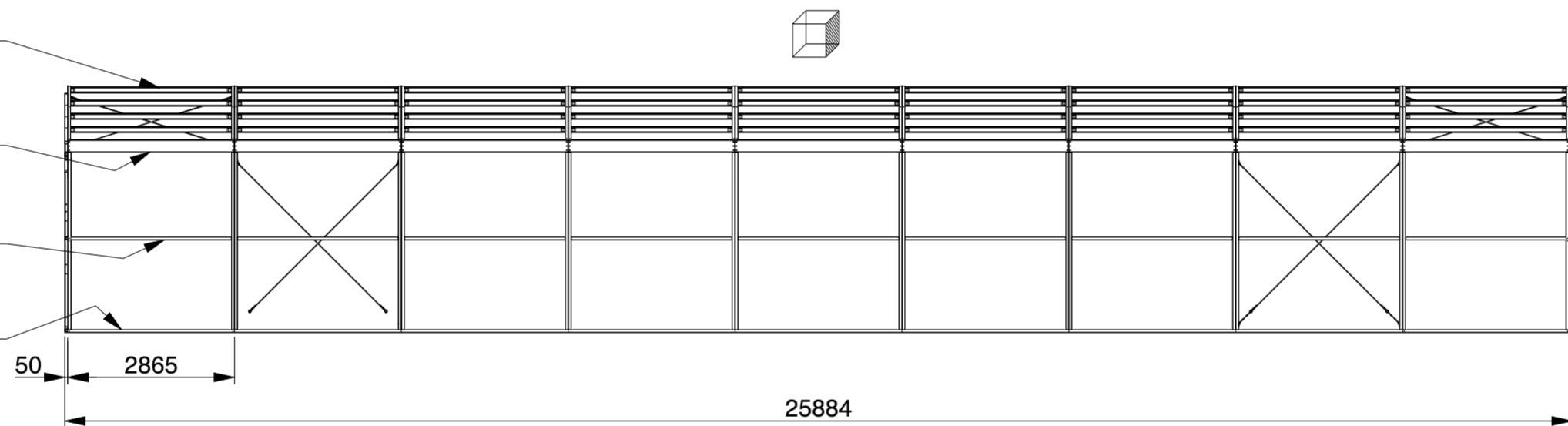


1x  
C100/50/12.5 t = 1.5mm  
S390GD Z275

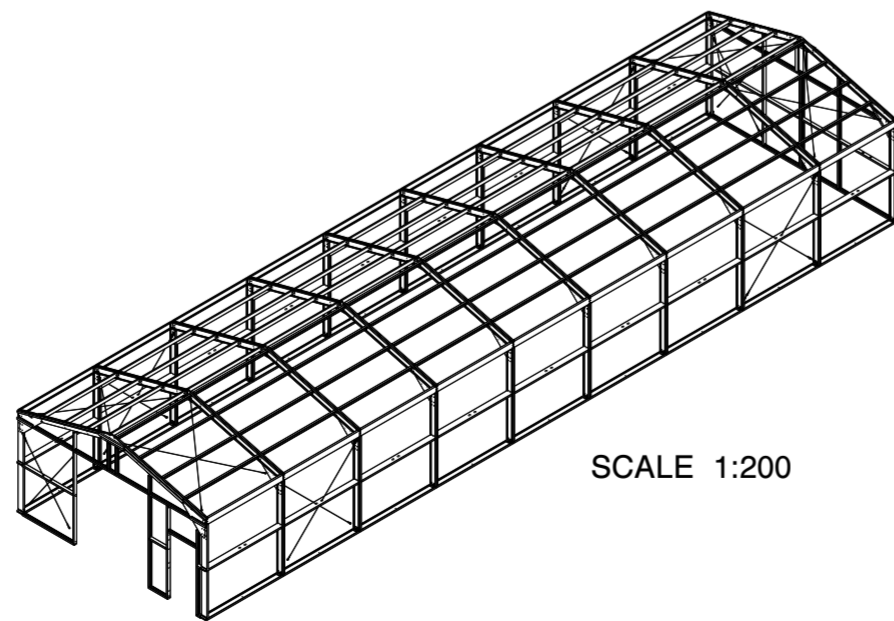
1x  
C200 + /50/15 t = 1.5mm  
S390GD Z275

1x  
C200/50/15 t = 1.5mm  
S390GD Z275

1x  
C200/50/15 t = 1.5mm  
S390GD Z275



SCALE 1:200



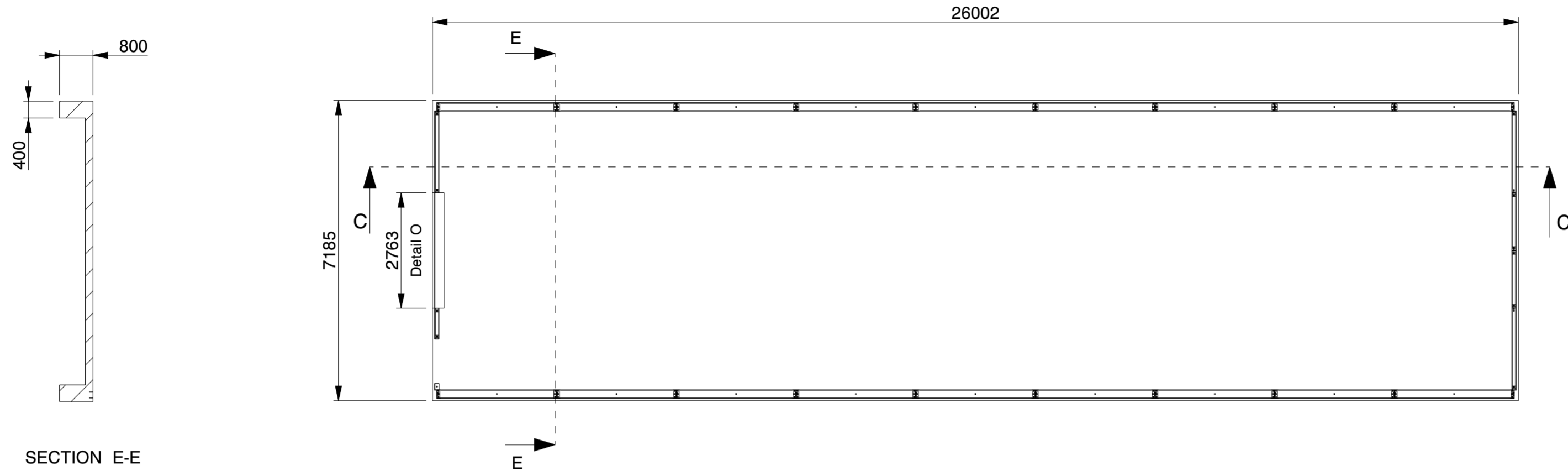
SCALE 1:200

**Genehmigung / Approval / Goedkeuring**

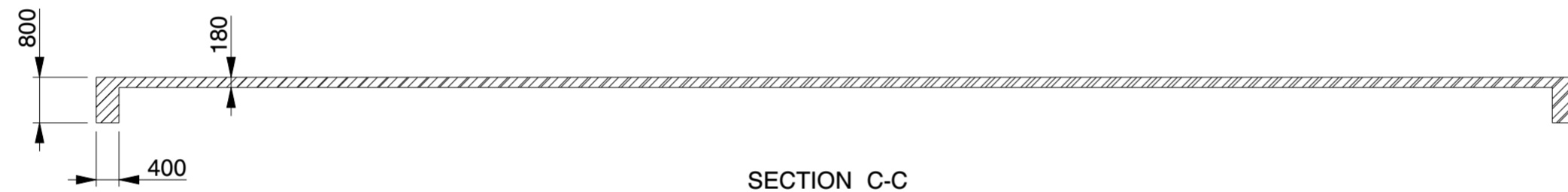
Kundenname: Client name: Klantnaam:		Firmenstempel: Company stamp: Firmastempel:	
Datum: Date: Datum:			
Unterschrift: Signature: Handtekening:			

TRAPEZBLECH	CORRUGATED STEEL PANEL	TÔLE TRAPÉZOÏDALE
POLYESTERBESCHICHTUNG	POLYESTER COATING	REVÊTEMENT POLYESTER
0.5MM STAHL	0.5MM STEEL	0.5MM MÉTAL

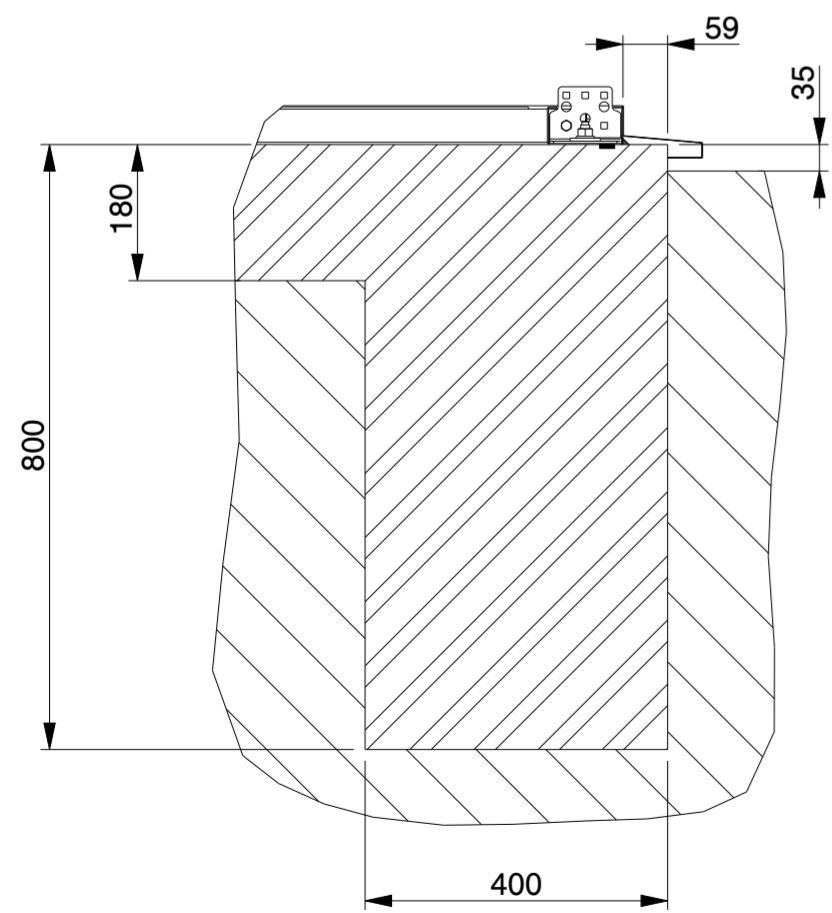
<b>KROFTMAN</b>	LASERCUT ACCORDING: EN-ISO 9013-5-4-1		MATERIAL: See List	
	MATERIAL CERTIFICATE: 3.1 (OR 2.2 WHEN S235JR)		TREATMENT: -	
	GALVANIZING ACCORDING: EN ISO 1461		STATUS: Released	
	BEND RADIUS UNLESS DEFINED R <sub>i</sub> =1			
TOLERANCES UNLESS OTHERWISE SPECIFIED:				
GENERAL ROUGHNESS R <sub>a</sub> ✓	DIMENSION: ±	ANGLE: ±°	MODEL NUMBER <b>LCA00145</b>	REVISION: <b>0</b>
DESCRIPTION: <b>Storage Building H7-33</b>				
SCALE: 1:100	UNITS: mm	PROJECTION: 	MODIFIED ON: 08-09-2023 MODIFIED BY: AVA	APPROVED ON: 08-09-2023 APPROVED BY: BVB
			MASS: 5857,0 kg	Sheet 2 of 4
© KROFTMAN STRUCTURES B.V. Duplication and copying without written permission of the owner is prohibited				



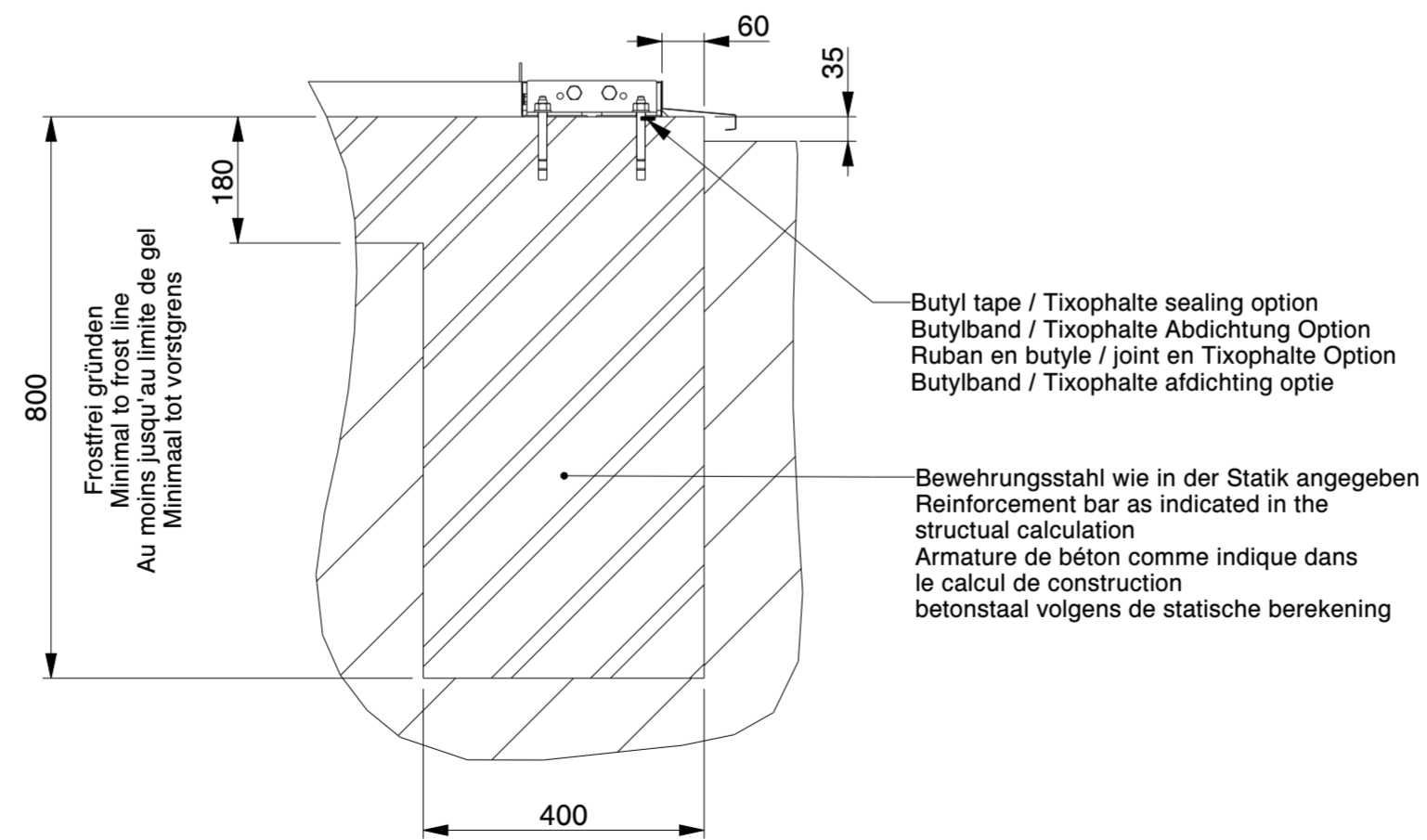
SECTION E-E



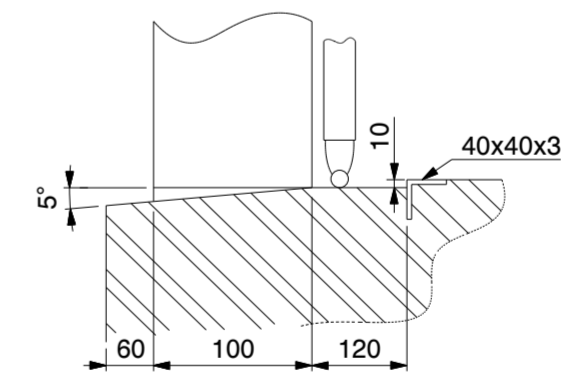
SECTION C-C



SECTION C-C  
SCALE 1:10



SECTION E-E  
SCALE 1:10



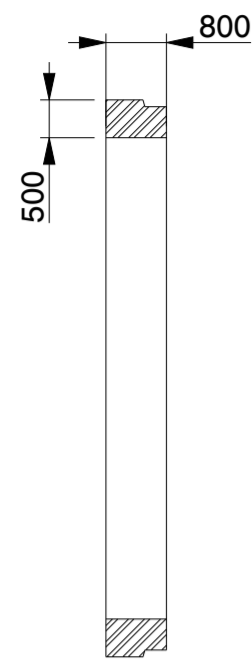
DETAIL O  
(NOT TO SCALE)

**Genehmigung / Approval / Goedkeuring**

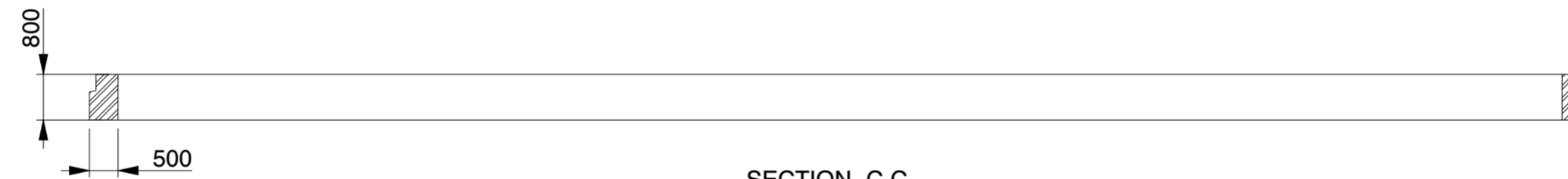
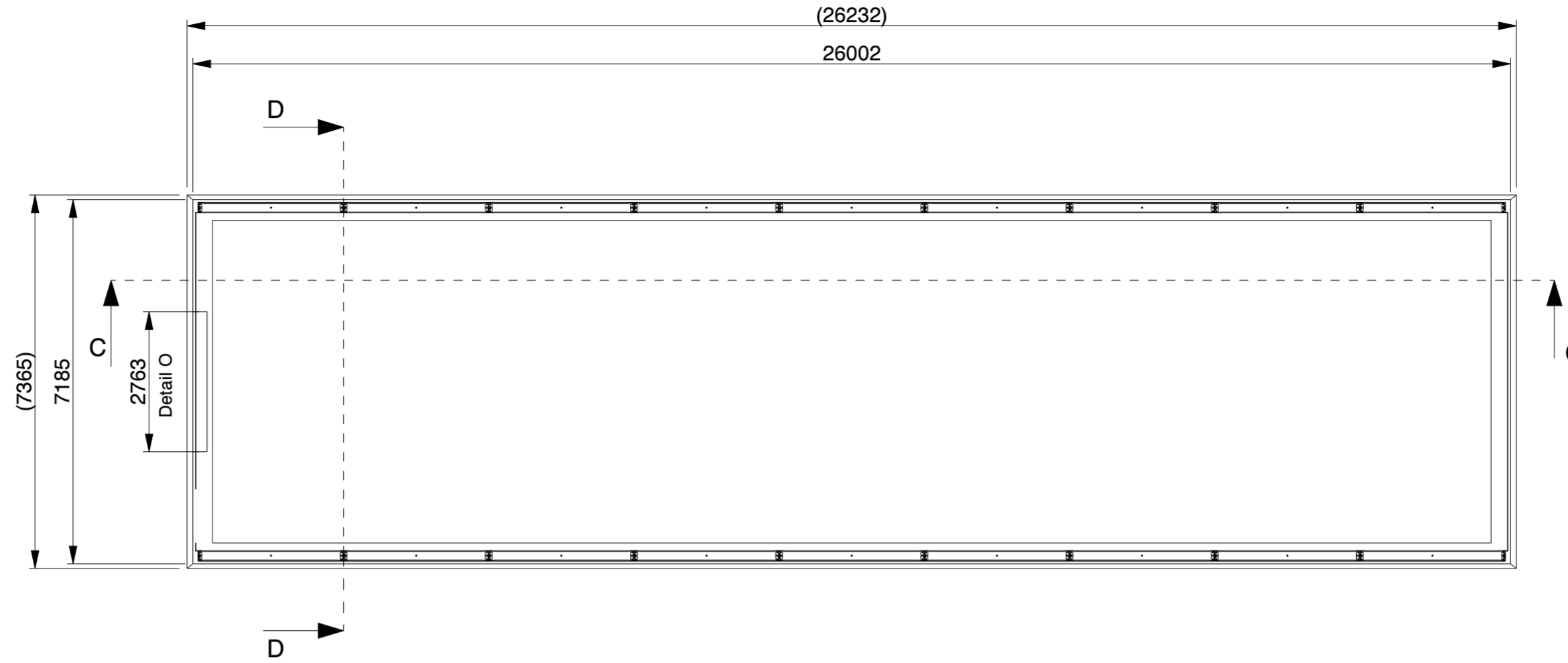
Kundenname: Client name: Klantnaam:	Firmenstempel: Company stamp: Firmastempel:
Datum: Date: Datum:	
Unterschrift: Signature: Handtekening:	

**Betonplaat / Betonplatte / Concrete slab / Dalle de béton**

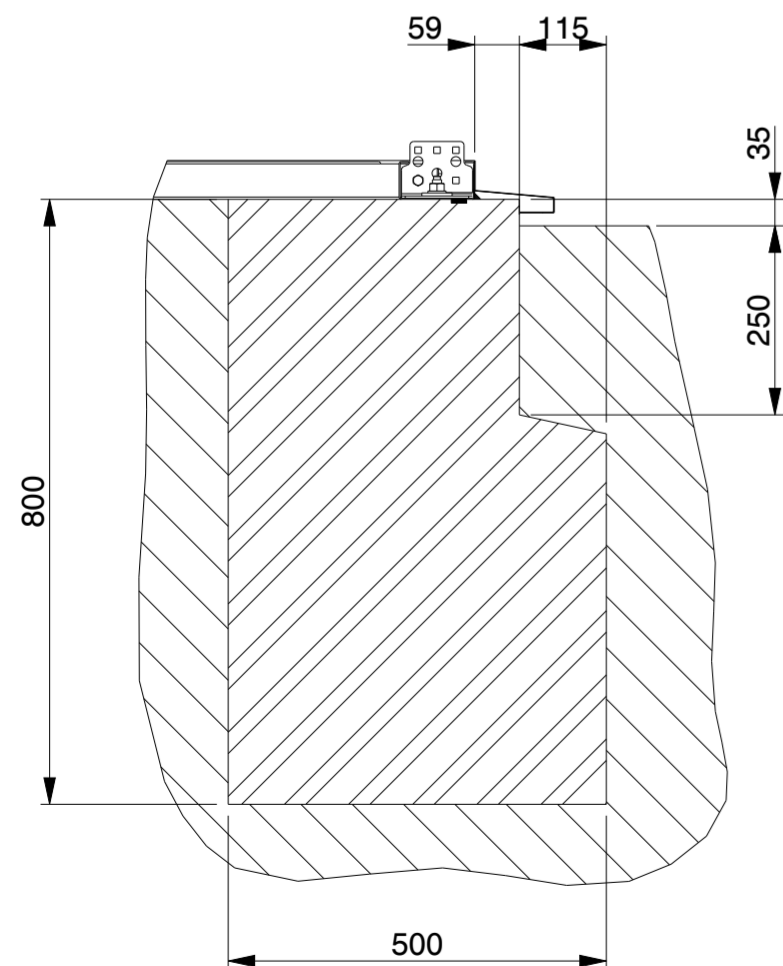
<b>KROFTMAN</b>	LASERCUT ACCORDING: EN-ISO 9013-5-4-1		MATERIAL: See List	
	MATERIAL CERTIFICATE: 3.1 (OR 2.2 WHEN S235JR)		TREATMENT: -	
	GALVANIZING ACCORDING: EN ISO 1461		STATUS: Released	
	BEND RADIUS UNLESS DEFINED R <sub>i</sub> =1			
TOLERANCES UNLESS OTHERWISE SPECIFIED:				
GENERAL ROUGHNESS R <sub>a</sub> ✓	DIMENSION: ±	ANGLE: ±°	MODEL NUMBER LCA00145	REVISION: 0
DESCRIPTION: <b>Storage Building H7-33</b>				
SCALE: 1:100	UNITS: mm	PROJECTION: [Symbol]	MODIFIED ON: 08-09-2023 MODIFIED BY: AVA	APPROVED ON: 08-09-2023 APPROVED BY: BVB
MASS: 5857,0 kg		Sheet 3 of 4		Size: A2



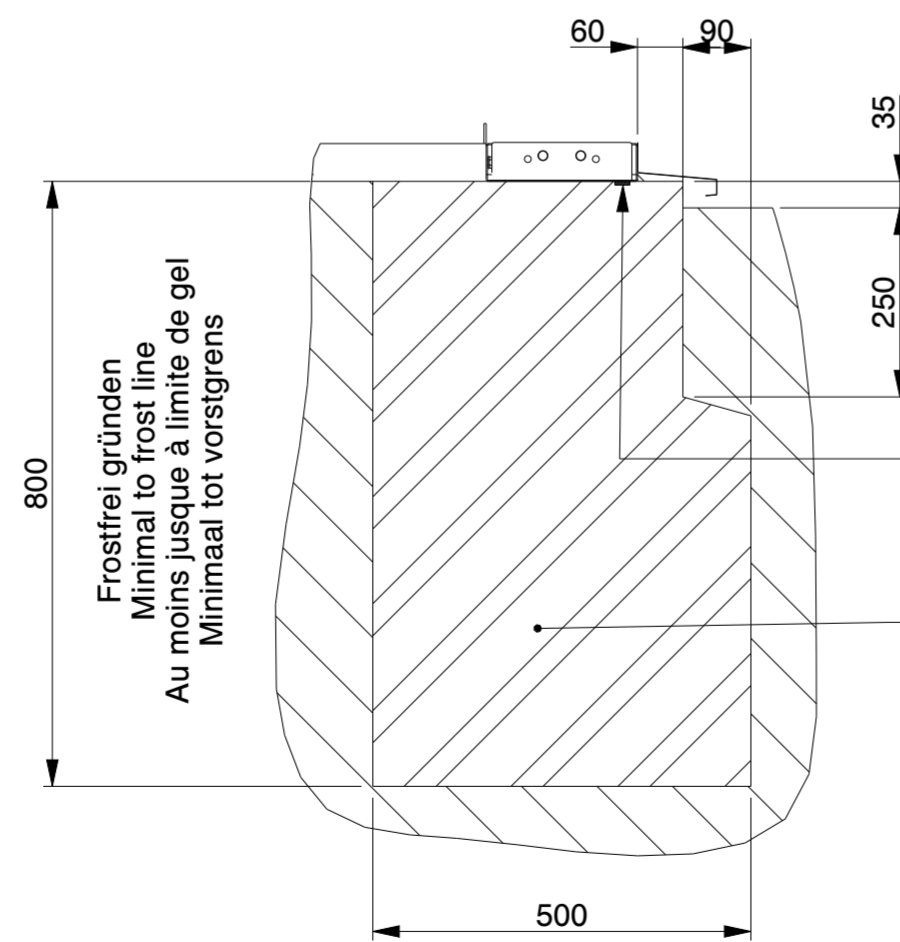
SECTION D-D



SECTION C-C



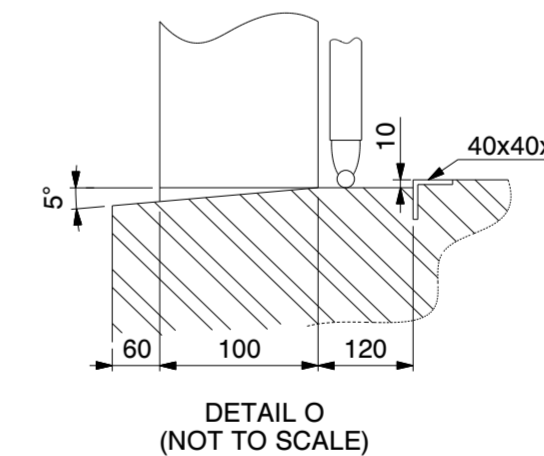
SECTION C-C  
SCALE 1:10



SECTION D-D  
SCALE 1:10

Butyl tape / Tixophalte sealing option  
Butylband / Tixophalte Abdichtung  
Ruban en butyle / joint en Tixophalte option  
Butylband / Tixophalte afdichting optie

Bewehrungsstahl wie in der Statik angegeben  
Concrete reinforcement as indicated in  
the structural calculation  
Armature de béton comme indique dans le clacul  
de construction  
betonbewapening zoals in de  
constructieberekening aangegeven



DETAIL O  
(NOT TO SCALE)

Genehmigung / Approval / Goedkeuring		
Kundenname: Client name: Klantnaam:		Firmenstempel: Company stamp: Firmastempel:
Datum: Date: Datum:		
Unterschrift: Signature: Handtekening:		

Strookfundering / Streifenfundament /  
Strip foundation / Fondation en bande

<b>KROFTMAN</b>	LASERCUT ACCORDING: EN-ISO 9013-5-4-1		MATERIAL: See List	
	MATERIAL CERTIFICATE: 3.1 (OR 2.2 WHEN S235JR)		TREATMENT: -	
	GALVANIZING ACCORDING: EN ISO 1461		STATUS: Released	
	BEND RADIUS UNLESS DEFINED R <sub>i</sub> =1			
TOLERANCES UNLESS OTHERWISE SPECIFIED:				
GENERAL ROUGHNESS R <sub>a</sub> ✓	DIMENSION: ±	ANGLE: ±°	MODEL NUMBER LCA00145	REVISION: 0
DESCRIPTION: Storage Building H7-33				
SCALE: 1:100	UNITS: mm	PROJECTION: [Symbol]	MODIFIED ON: 08-09-2023 MODIFIED BY: AVA	APPROVED ON: 08-09-2023 APPROVED BY: BVB
MASS: 5857,0 kg		Sheet 4 of 4		Size: A2

© KROFTMAN STRUCTURES B.V. Duplication and copying without written permission of the owner is prohibited