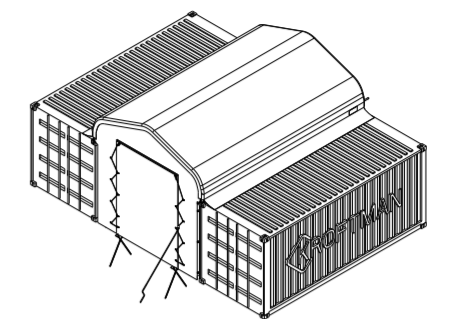
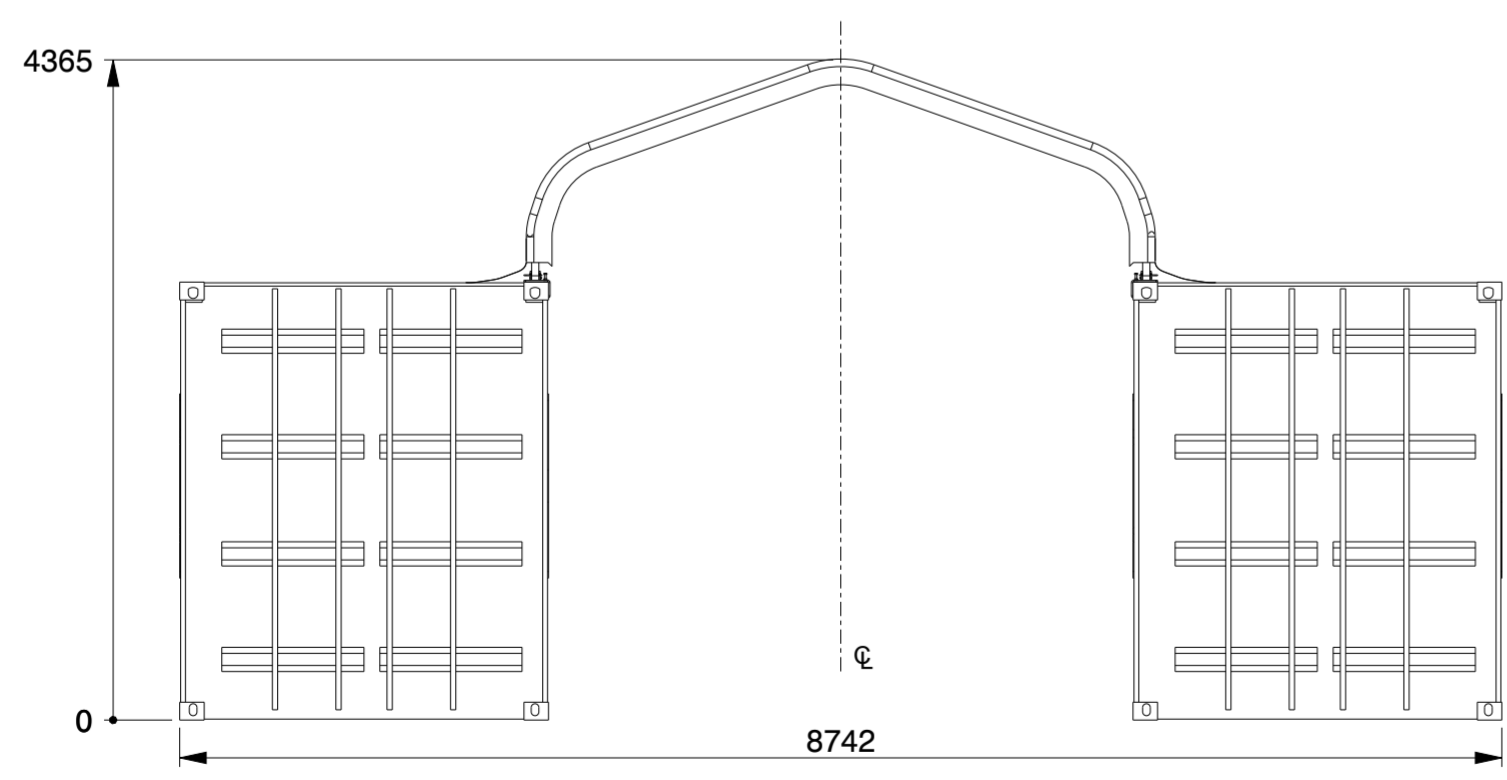


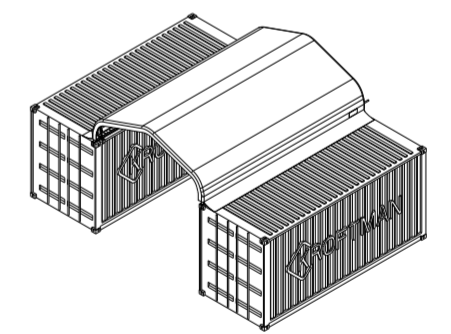
ISO containers
Optional end walls



SCALE 1:200



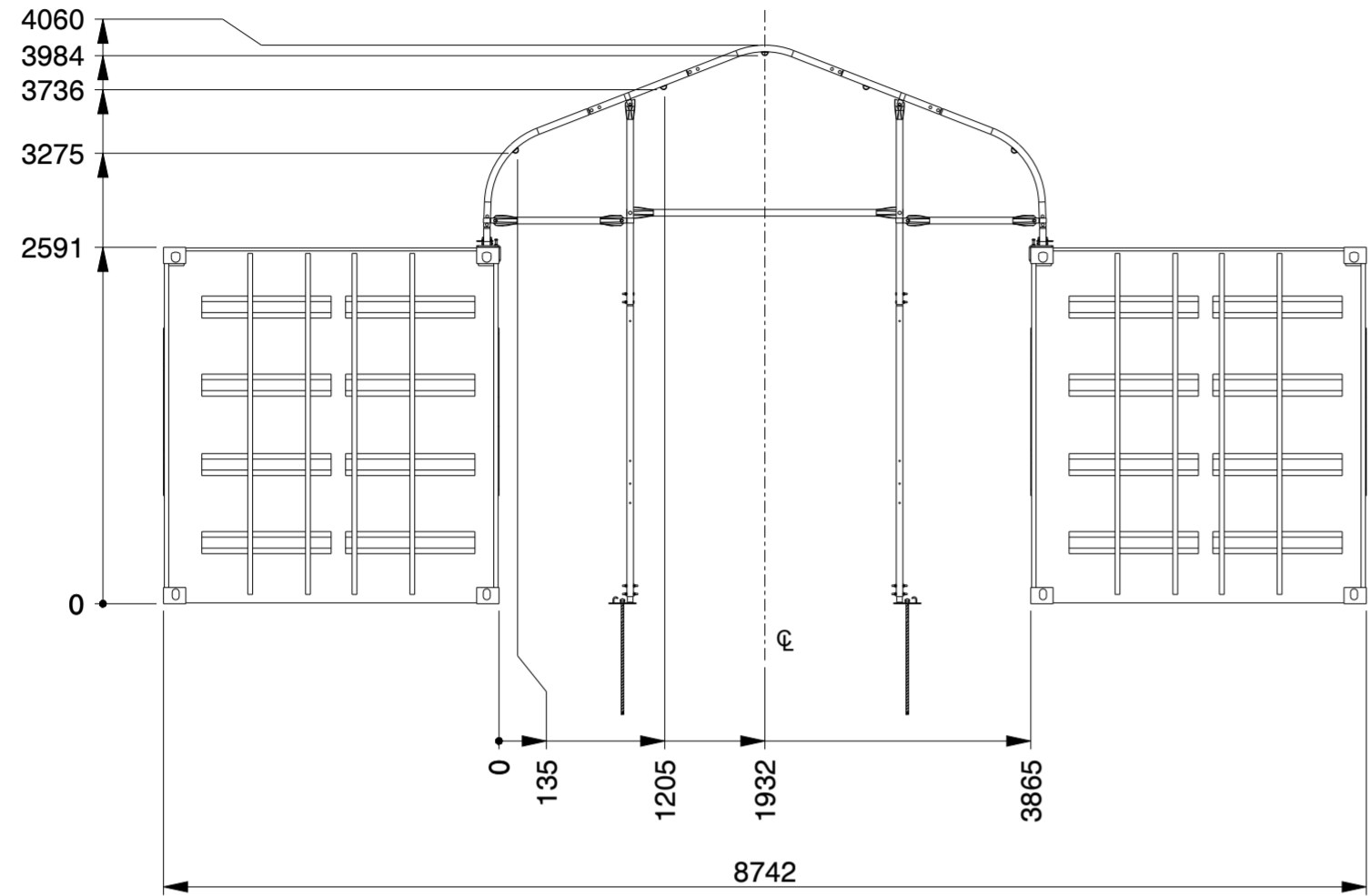
High-Cube containers
No end walls possible



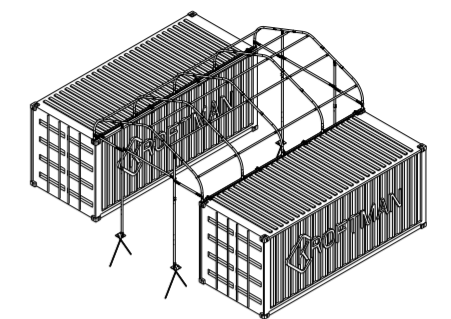
SCALE 1:200

KROFTMAN	LASERCUT ACCORDING: EN-ISO 9013-5-4-1		MATERIAL: See List	
	MATERIAL CERTIFICATE: 3.1 (OR 2.2 WHEN S235JR)		TREATMENT: None	
	GALVANIZING ACCORDING: EN ISO 1461		STATUS: Released	
	BEND RADIUS UNLESS DEFINED R _i =t			
TOLERANCES UNLESS OTHERWISE SPECIFIED:				
GENERAL ROUGHNESS Ra x	DIMENSION: ±x	ANGLE: ±x°	MODEL NUMBER TCA0106	REVISION: 2
DESCRIPTION: Container Top CT-S-406				
SCALE: 1:50	UNITS: mm	PROJECTION: 	MODIFIED ON: 12-03-2024	APPROVED ON: 15-03-2024
			MODIFIED BY: AVA	APPROVED BY: BVB
			MASS: 4479,2 kg	Sheet 1 of 5 Size: A2
© KROFTMAN STRUCTURES B.V. Duplication and copying without written permission of the owner is prohibited				

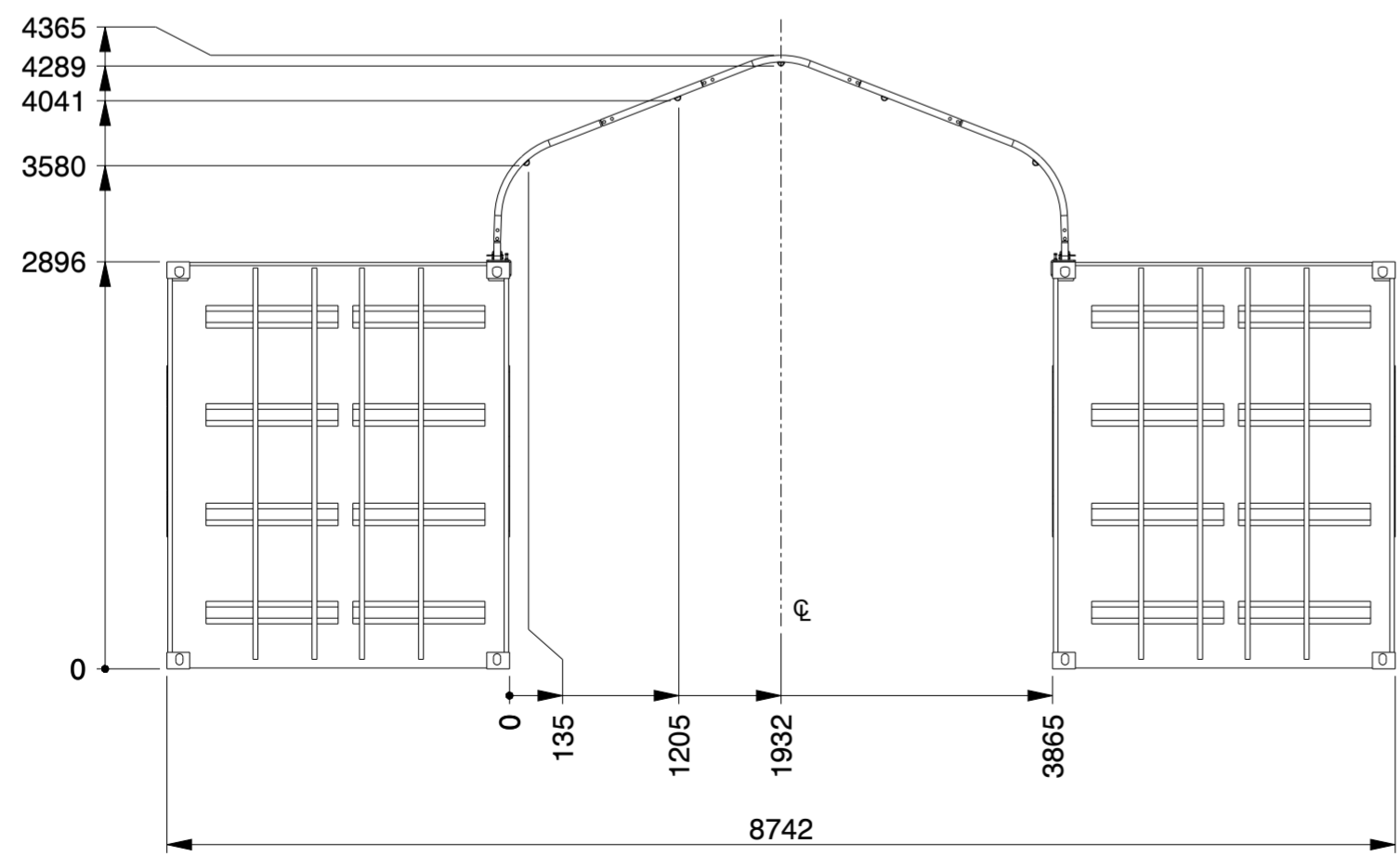
DRAWING NAME: TCA0106



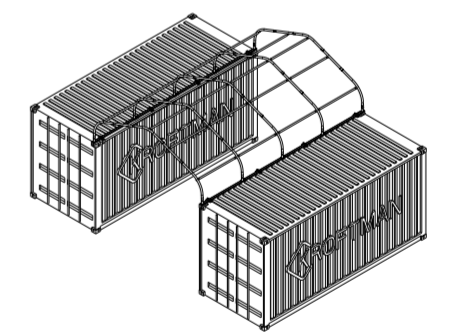
ISO containers
Optional end walls



SCALE 1:200

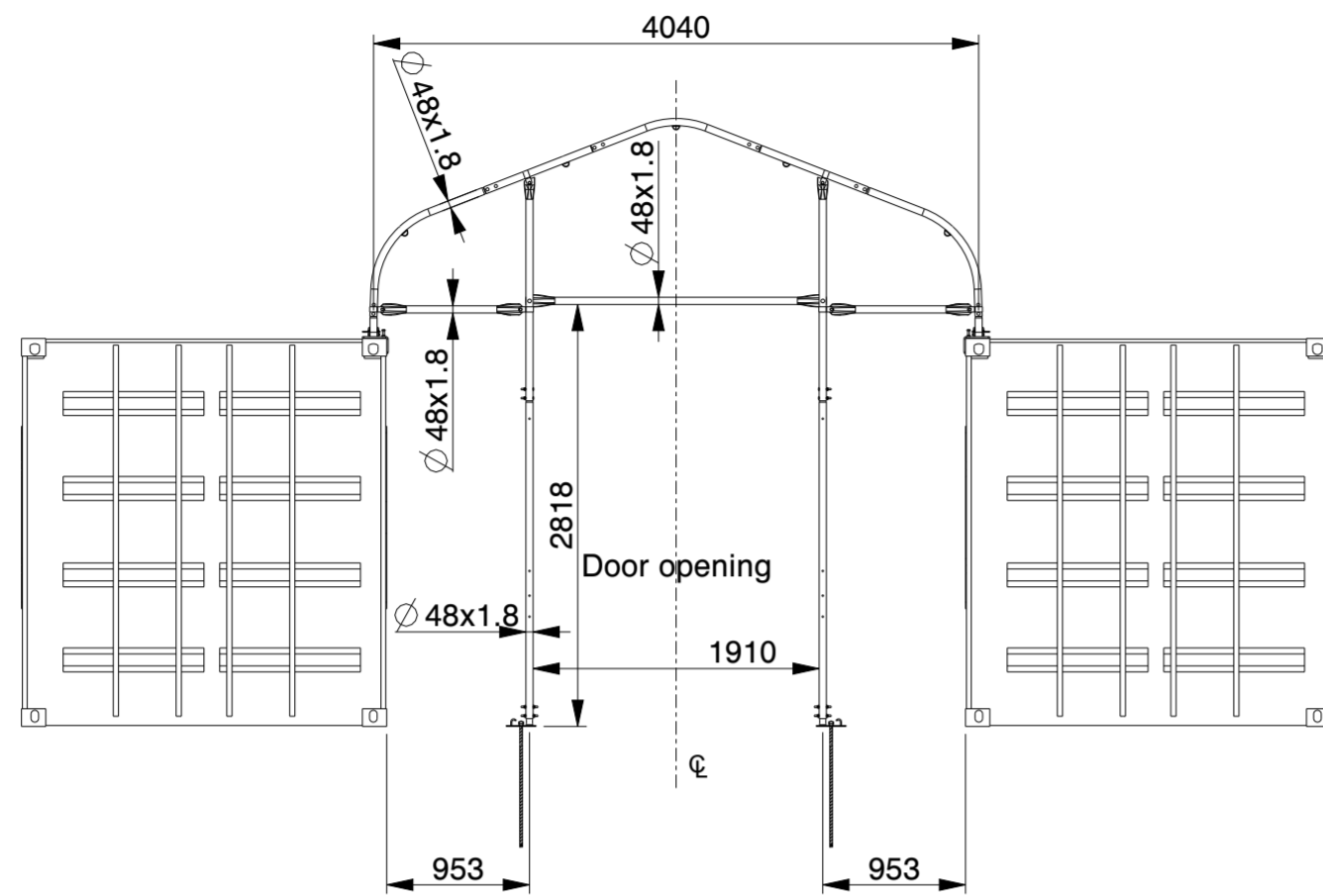


High-Cube containers
No end walls possible

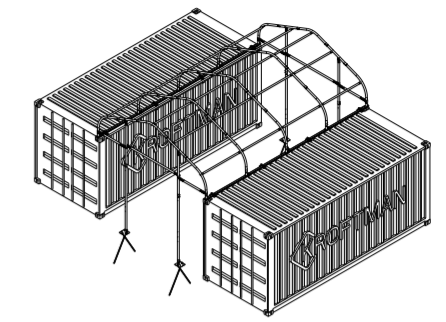


SCALE 1:200

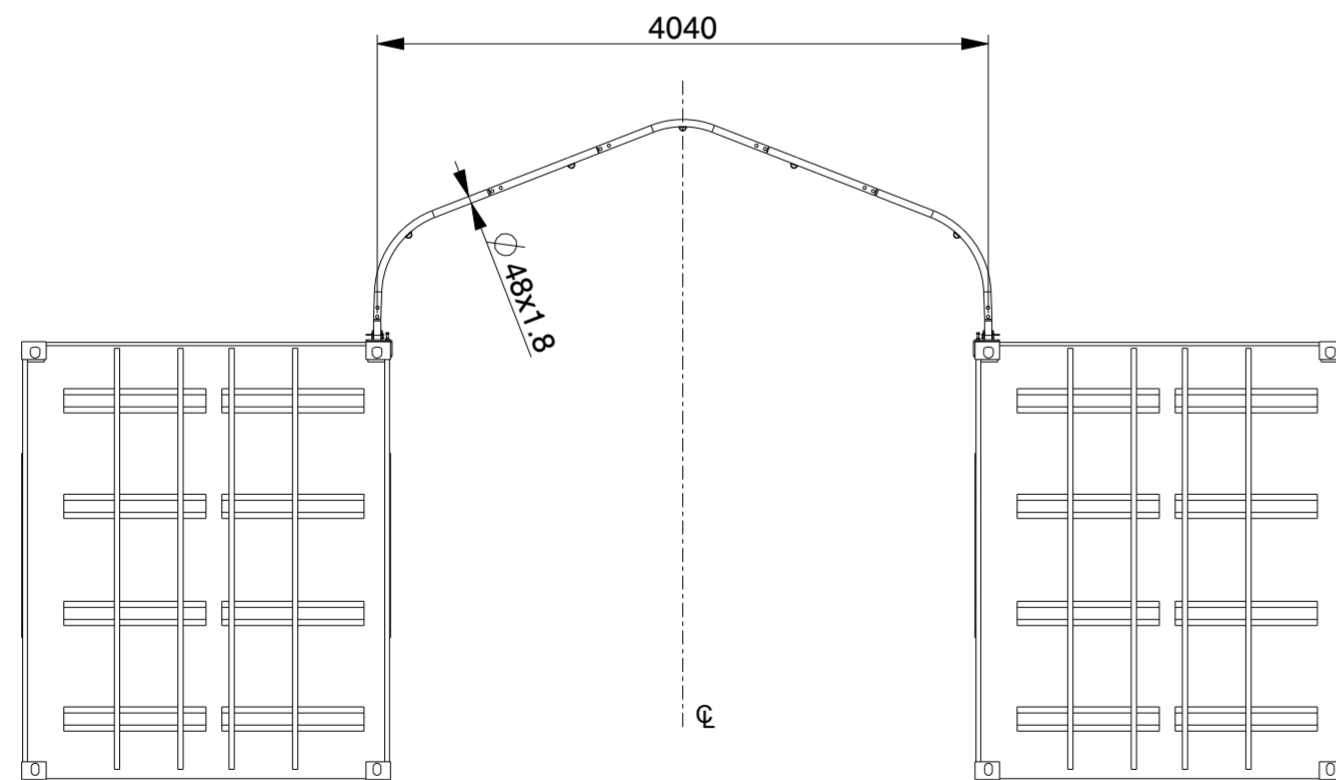
KROFTMAN	LASERCUT ACCORDING: EN-ISO 9013-5-4-1		MATERIAL: See List	
	MATERIAL CERTIFICATE: 3.1 (OR 2.2 WHEN S235JR)		TREATMENT: None	
	GALVANIZING ACCORDING: EN ISO 1461		STATUS: Released	
	BEND RADIUS UNLESS DEFINED R _i =t			
GENERAL ROUGHNESS Ra x	DIMENSION: ±x	ANGLE: ±x°	MODEL NUMBER TCA0106	REVISION: 2
DESCRIPTION: Container Top CT-S-406				
SCALE: 1:50	UNITS: mm	PROJECTION: 	MODIFIED ON: 12-03-2024	APPROVED ON: 15-03-2024
			MODIFIED BY: AVA	APPROVED BY: BVB
			MASS: 4479,2 kg	Sheet 2 of 5
				Size: A2



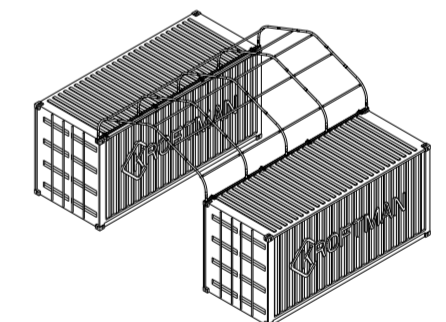
ISO containers
Optional end walls



SCALE 1:200



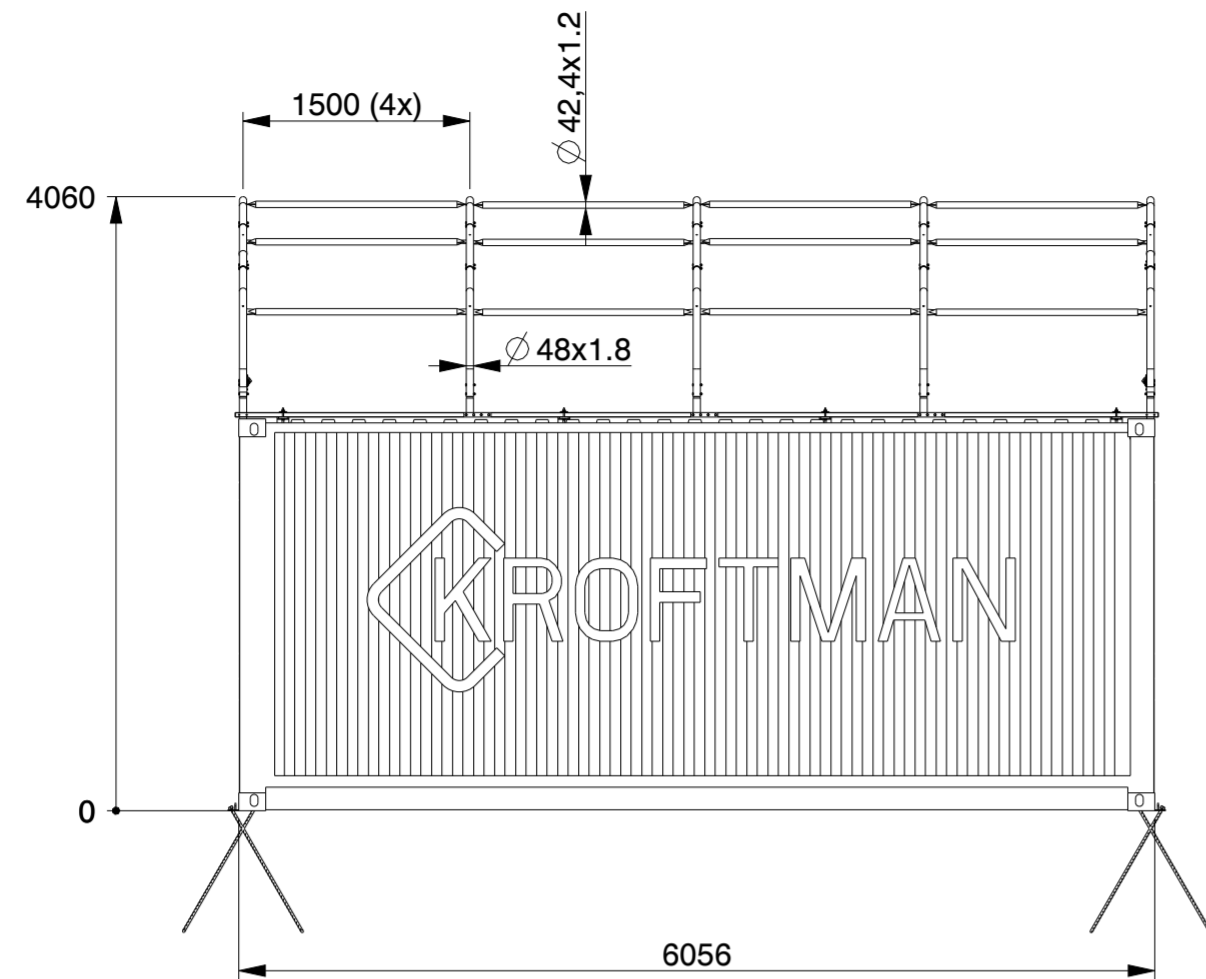
High-Cube containers
No end walls possible



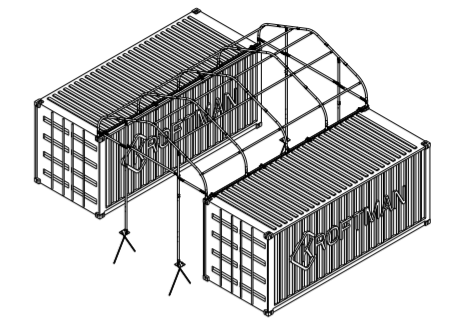
SCALE 1:200

KROFTMAN	LASERCUT ACCORDING: EN-ISO 9013-5-4-1		MATERIAL: See List	
	MATERIAL CERTIFICATE: 3.1 (OR 2.2 WHEN S235JR)		TREATMENT: None	
	GALVANIZING ACCORDING: EN ISO 1461		STATUS: Released	
	BEND RADIUS UNLESS DEFINED R _i =1			
GENERAL ROUGHNESS Ra x	DIMENSION: ±x	ANGLE: ±x°	MODEL NUMBER TCA0106	REVISION: 2
DESCRIPTION: Container Top CT-S-406				
SCALE: 1:50	UNITS mm	PROJECTION: 	MODIFIED ON: 12-03-2024	APPROVED ON: 15-03-2024
			MODIFIED BY: AVA	APPROVED BY: BVB
			MASS: 4479,2 kg	Sheet 3 of 5 Size: A2
© KROFTMAN STRUCTURES B.V. Duplication and copying without written permission of the owner is prohibited				

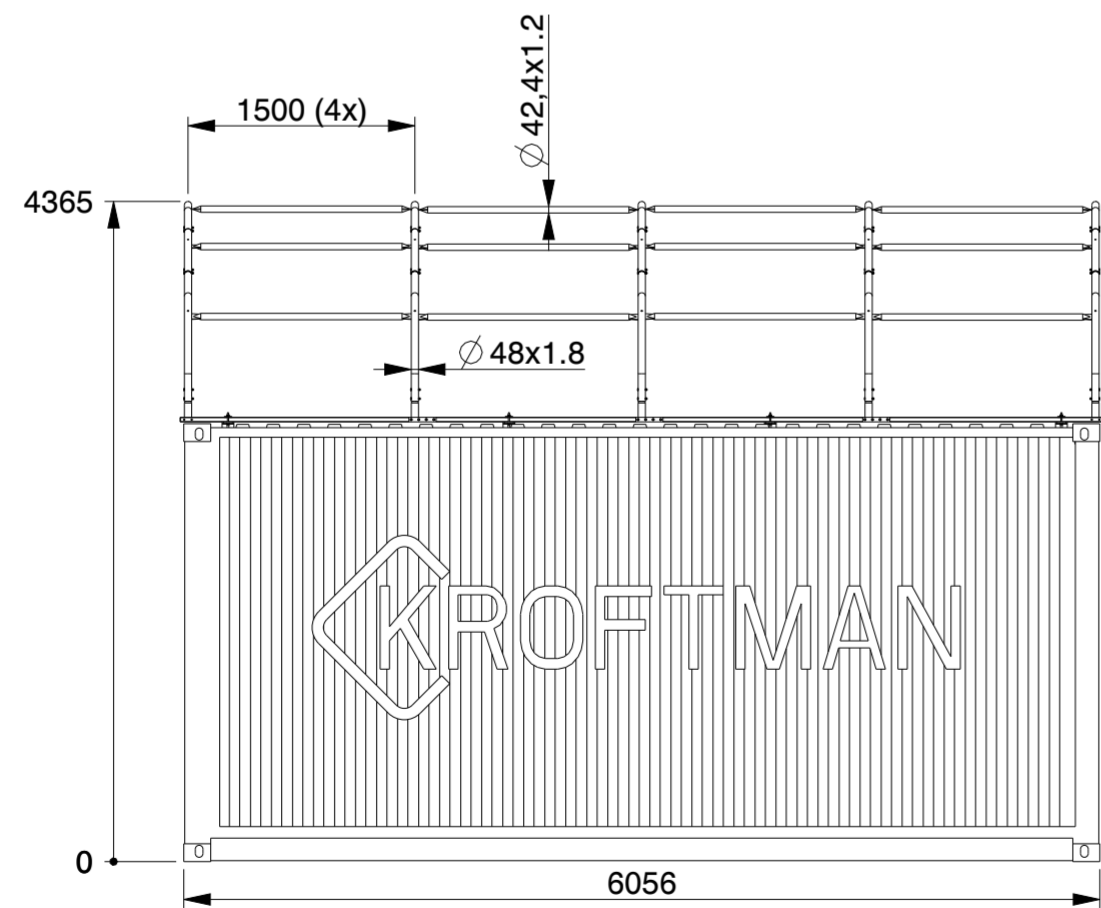
DRAWING NAME: TCA0106



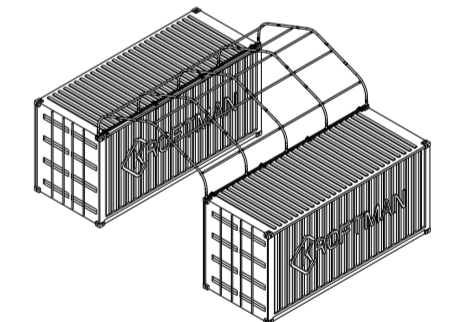
ISO containers
Optional end walls



SCALE 1:200



High-Cube containers
No end walls possible

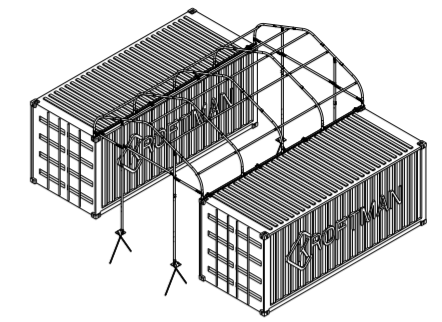


SCALE 1:200

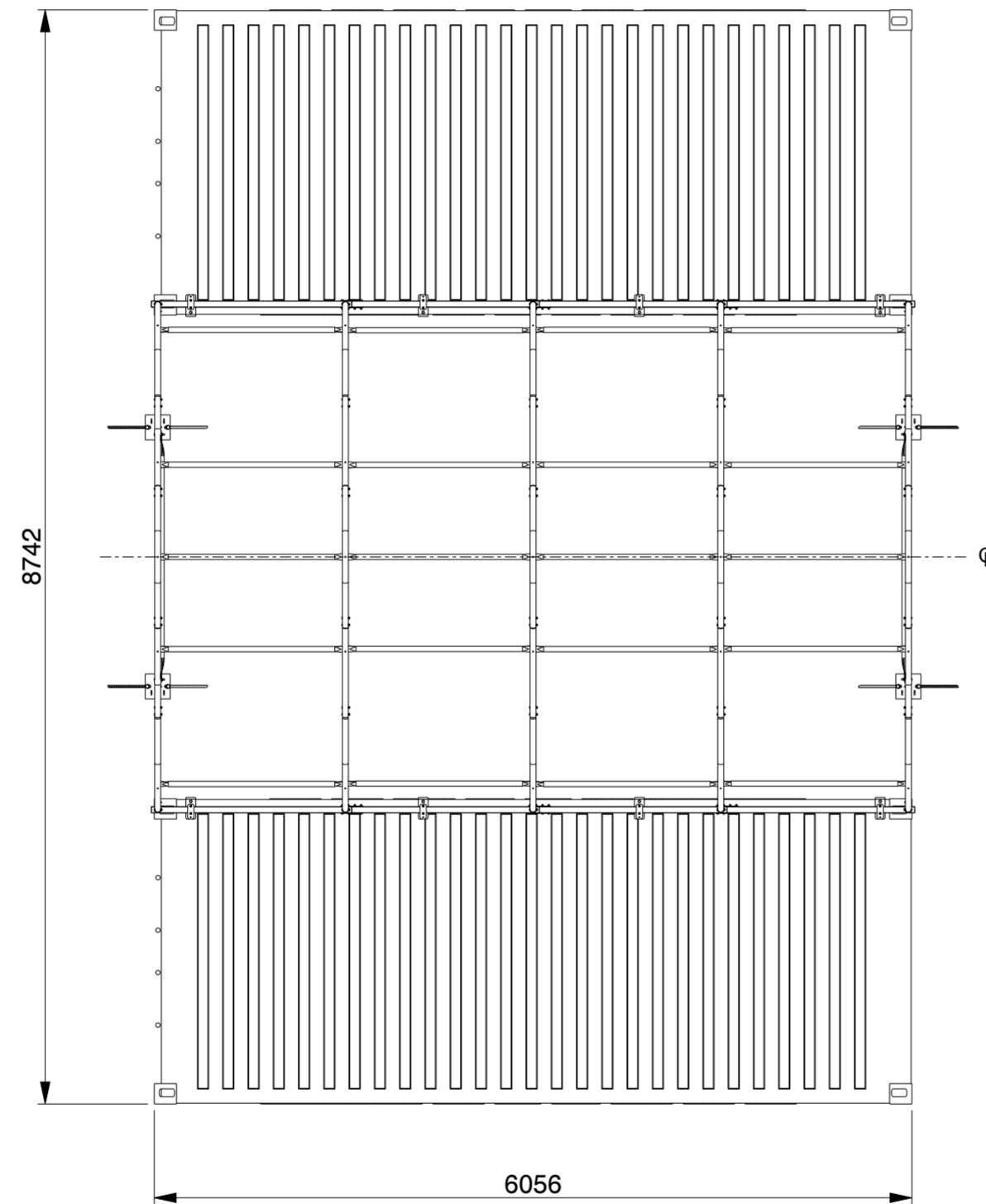
KROFTMAN	LASERCUT ACCORDING: EN-ISO 9013-5-4-1		MATERIAL: See List	
	MATERIAL CERTIFICATE: 3.1 (OR 2.2 WHEN S235JR)		TREATMENT: None	
	GALVANIZING ACCORDING: EN ISO 1461		STATUS: Released	
	BEND RADIUS UNLESS DEFINED $R_{i=1}$			
TOLERANCES UNLESS OTHERWISE SPECIFIED:				
GENERAL ROUGHNESS $R_a \sqrt{\quad}$	DIMENSION: $\pm x$	ANGLE: $\pm x^\circ$	MODEL NUMBER TCA0106	REVISION: 2
DESCRIPTION: Container Top CT-S-406				
SCALE: 1:50	UNITS mm	PROJECTION: 	MODIFIED ON: 12-03-2024 MODIFIED BY: AVA	APPROVED ON: 15-03-2024 APPROVED BY: BVB
		MASS: 4479,2 kg	Sheet 4 of 5	Size: A2
© KROFTMAN STRUCTURES B.V. Duplication and copying without written permission of the owner is prohibited				

DRAWING NAME: TCA0106

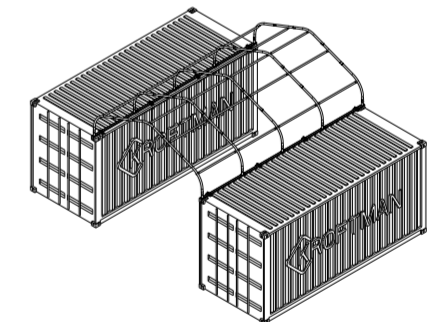
ISO containers
Optional end walls



SCALE 1:200



High-Cube containers
No end walls possible



SCALE 1:200

KROFTMAN	LASERCUT ACCORDING: EN-ISO 9013-5-4-1		MATERIAL: See List	
	MATERIAL CERTIFICATE: 3.1 (OR 2.2 WHEN S235JR)		TREATMENT: None	
	GALVANIZING ACCORDING: EN ISO 1461		STATUS: Released	
	BEND RADIUS UNLESS DEFINED R _i =1			
TOLERANCES UNLESS OTHERWISE SPECIFIED:				
GENERAL ROUGHNESS Ra x	DIMENSION: ±x	ANGLE: ±x°	MODEL NUMBER TCA0106	REVISION: 2
DESCRIPTION: Container Top CT-S-406				
SCALE: 1:50	UNITS mm	PROJECTION: 	MODIFIED ON: 12-03-2024 MODIFIED BY: AVA	APPROVED ON: 15-03-2024 APPROVED BY: BVB
			MASS: 4479,2 kg	Sheet 5 of 5 Size: A2
© KROFTMAN STRUCTURES B.V. Duplication and copying without written permission of the owner is prohibited				

DRAWING NAME: TCA0106