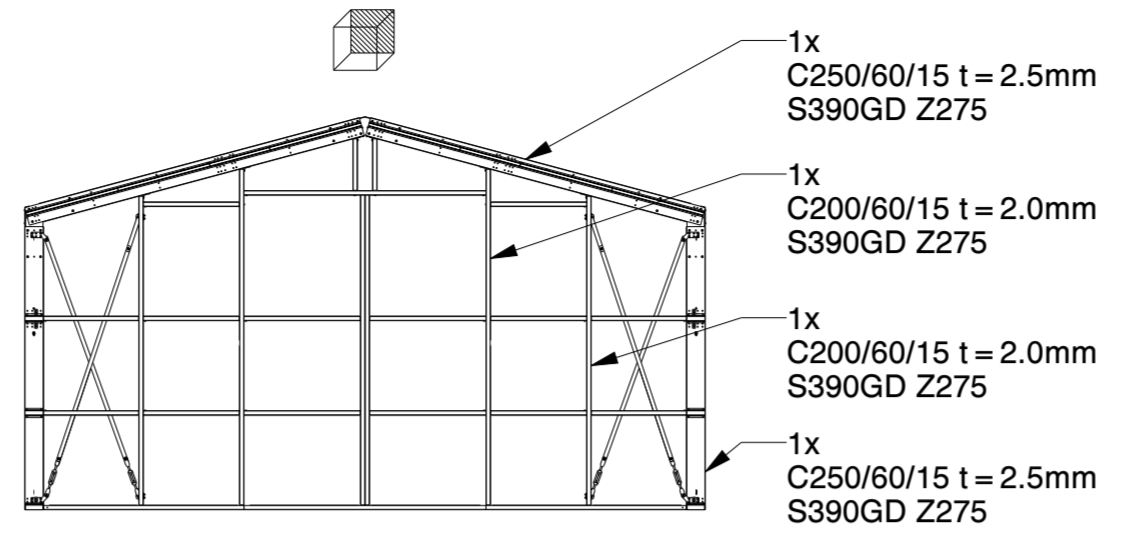


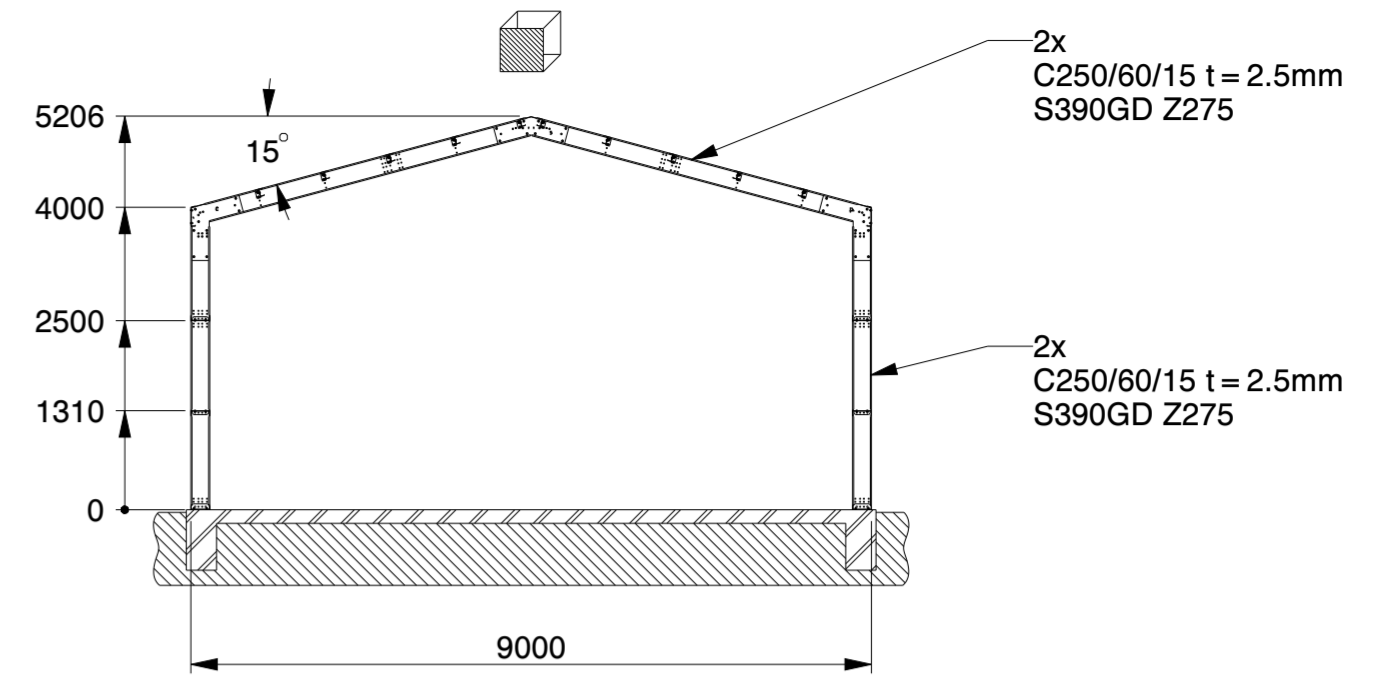
FRONT WALL

- 1x C250/60/15 t = 2.5mm S390GD Z275
- 1x C200/60/15 t = 2.0mm S390GD Z275
- 1x C200/60/15 t = 2.0mm S390GD Z275
- 1x C250/60/15 t = 2.5mm S390GD Z275



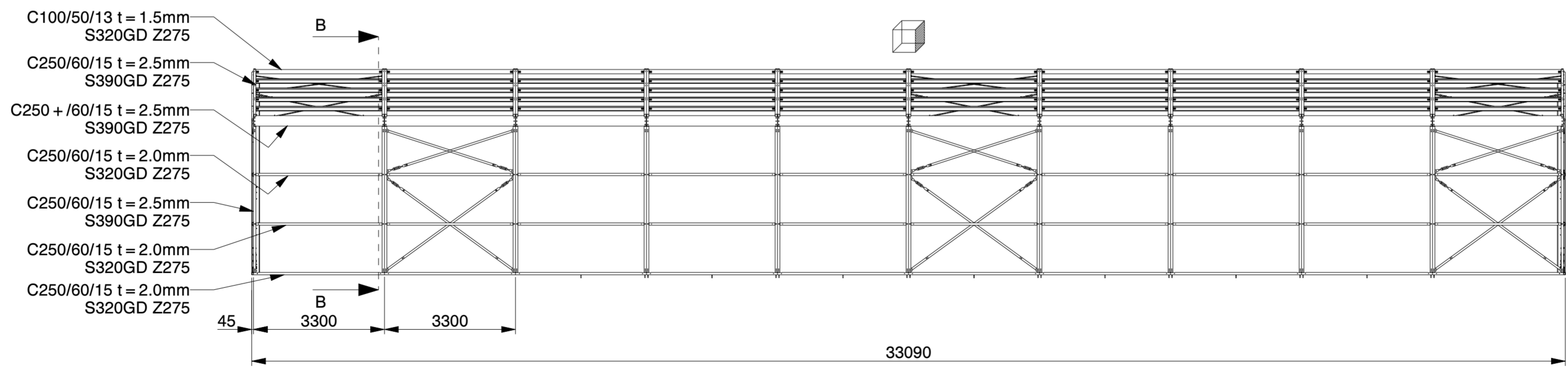
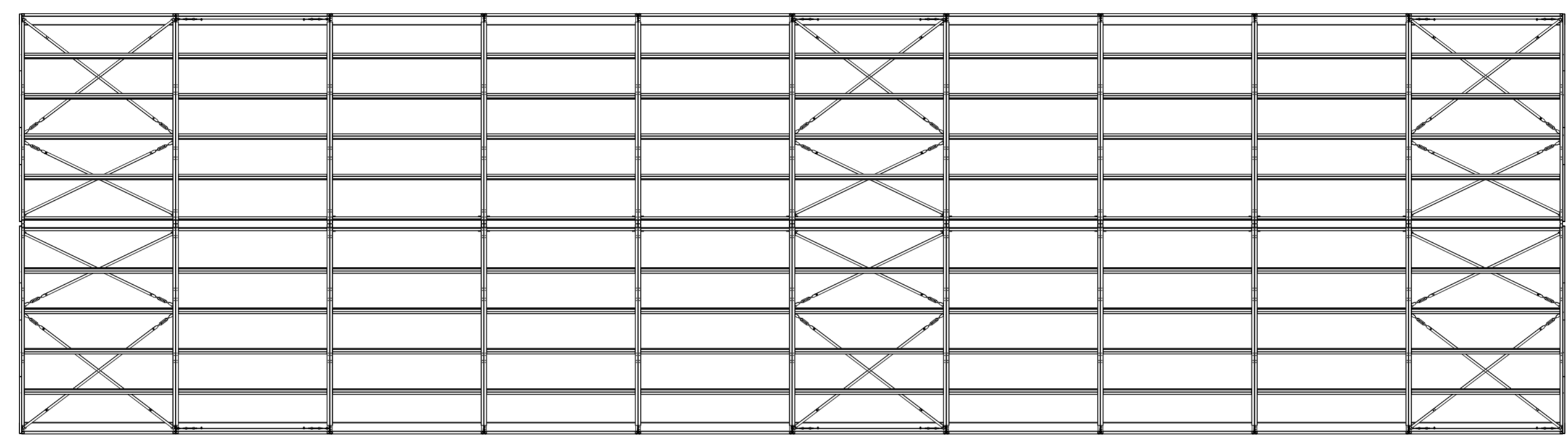
BACK WALL

- 1x C250/60/15 t = 2.5mm S390GD Z275
- 1x C200/60/15 t = 2.0mm S390GD Z275
- 1x C200/60/15 t = 2.0mm S390GD Z275
- 1x C250/60/15 t = 2.5mm S390GD Z275



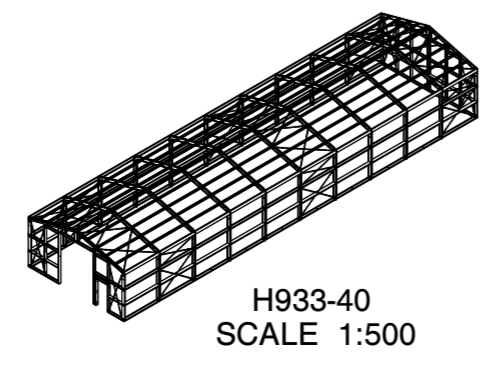
SECTION B-B

- 2x C250/60/15 t = 2.5mm S390GD Z275
- 2x C250/60/15 t = 2.5mm S390GD Z275



- C100/50/13 t = 1.5mm S320GD Z275
- C250/60/15 t = 2.5mm S390GD Z275
- C250 + /60/15 t = 2.5mm S390GD Z275
- C250/60/15 t = 2.0mm S320GD Z275
- C250/60/15 t = 2.5mm S390GD Z275
- C250/60/15 t = 2.0mm S320GD Z275
- C250/60/15 t = 2.0mm S320GD Z275

Genehmigung / Approval / Goedkeuring	
Kundenname: Client name: Klantnaam:	Firmenstempel: Company stamp: Firmastempel:
Datum: Date: Datum:	
Unterschrift: Signature: Handtekening:	



NET USABLE AREA:  
**277.8 M2 (APPROX. 32.6 M X 8.5 M)**

<b>KROFTMAN</b>	LASERCUT ACCORDING: EN-ISO 9013-5-4-1		MATERIAL: See List	
	MATERIAL CERTIFICATE: 3.1 (OR 2.2 WHEN S235JR)		TREATMENT:	
	GALVANIZING ACCORDING: EN ISO 1461		STATUS: Released	
	BEND RADIUS UNLESS DEFINED R <sub>i</sub> =t			
TOLERANCES UNLESS OTHERWISE SPECIFIED:				
GENERAL ROUGHNESS R <sub>a</sub> ✓	DIMENSION: ±	ANGLE: ±°	MODEL NUMBER LCA00059	REVISION: 3
DESCRIPTION: Lagerhalle / Storage Building / Opslagloods H933-40 Frame only				
SCALE: 1:100	UNITS: mm	PROJECTION:	MODIFIED ON: 01-09-2023	APPROVED ON: 01-09-2023
			MODIFIED BY: AVA	APPROVED BY: BVB
			MASS: 7948,5 kg	Sheet 1 of 1 Size: A2
© KROFTMAN STRUCTURES B.V. Duplication and copying without written permission of the owner is prohibited				

DRAWING NAME: LCA00059\_STRUCTURE