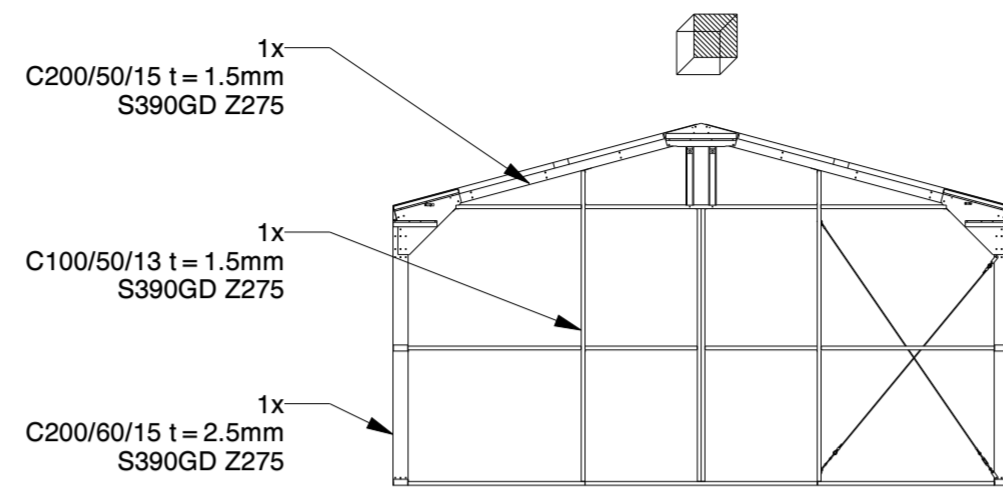
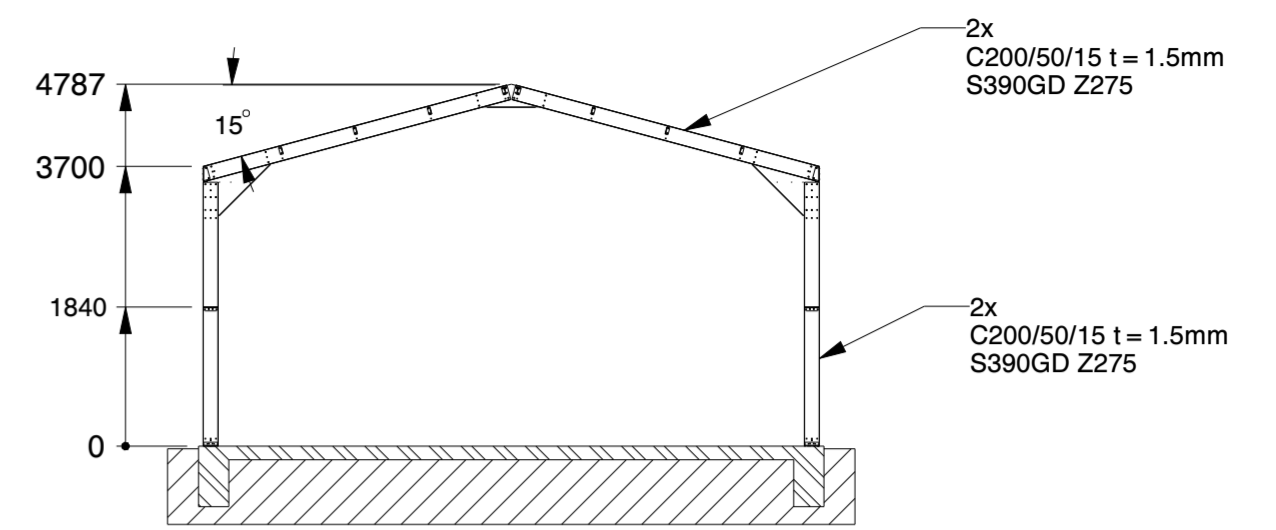


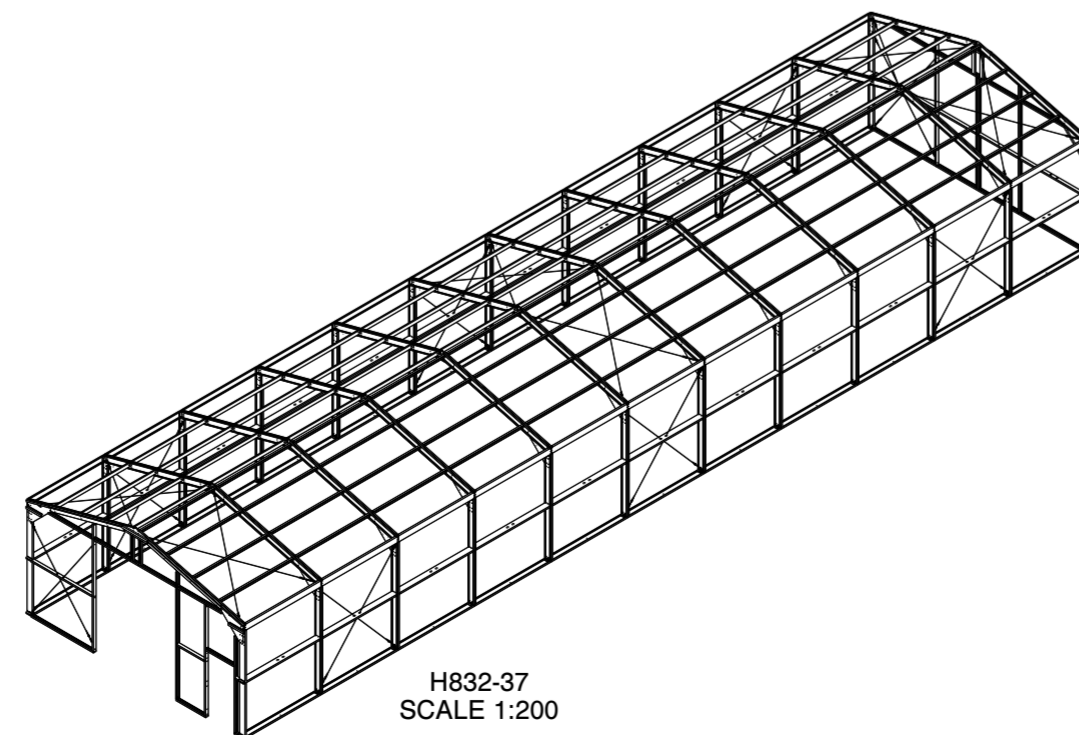
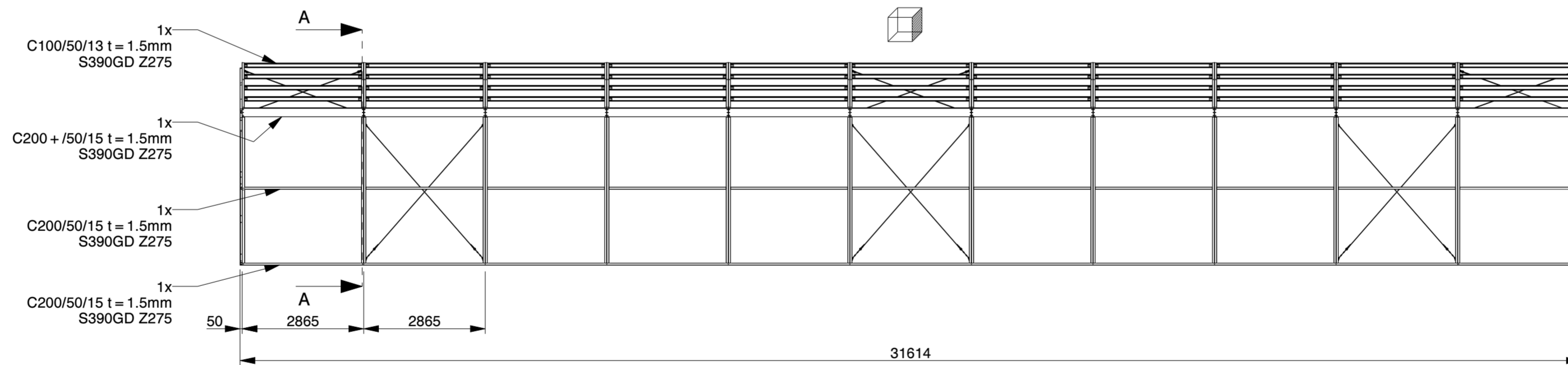
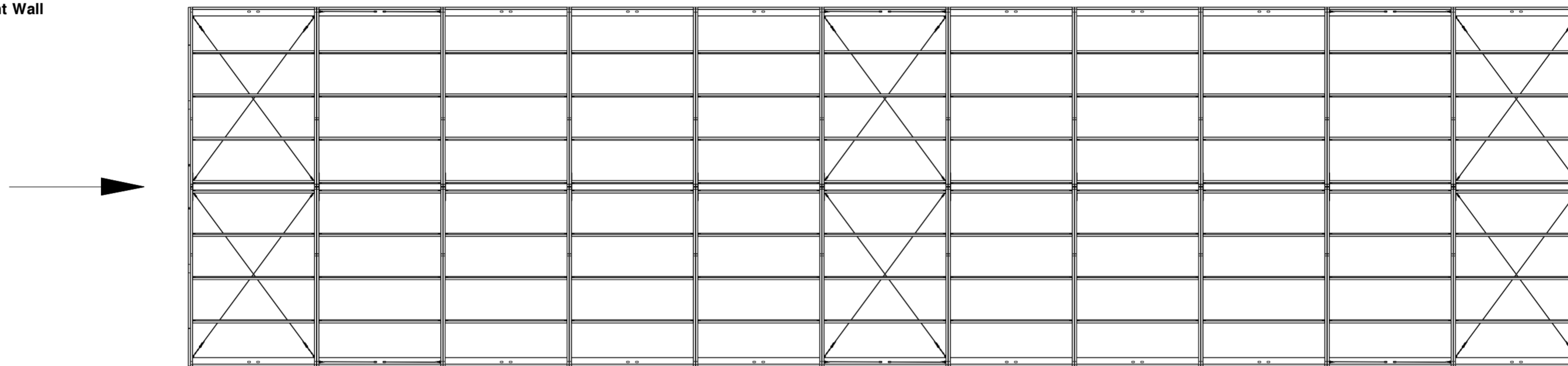
Front Wall



Back Wall



SECTION A-A



NET USABLE AREA:
 243.4 M2 (APPROX. 31.4 M X 7.7 M)

Genehmigung / Approval / Goedkeuring	
Kundenname: Client name: Klantnaam:	Firmenstempel: Company stamp: Firmastempel:
Datum: Date: Datum:	
Unterschrift: Signature: Handtekening:	

KROFTMAN	LASERCUT ACCORDING: EN-ISO 9013-5-4-1		MATERIAL: See List	
	MATERIAL CERTIFICATE: 3.1 (OR 2.2 WHEN S235JR)		TREATMENT: -	
	GALVANIZING ACCORDING: EN ISO 1461		STATUS: Released	
	BEND RADIUS UNLESS DEFINED R _i =t			
TOLERANCES UNLESS OTHERWISE SPECIFIED:				
GENERAL ROUGHNESS R _a ✓	DIMENSION: ±	ANGLE: ±°	MODEL NUMBER LCA00149	REVISION: 0
DESCRIPTION: Lagerhalle / Storage Building / Opslagloods H832-37 Frame only				
SCALE: 1:100	UNITS mm	PROJECTION: [Symbol]	MODIFIED ON: 11-09-2023 MODIFIED BY: AVA	APPROVED ON: 11-09-2023 APPROVED BY: LVE
			MASS: 3525,4 kg	Sheet 1 of 1 Size: A2
© KROFTMAN STRUCTURES B.V. Duplication and copying without written permission of the owner is prohibited				

DRAWING NAME: LCA00149 - STRUCTURE