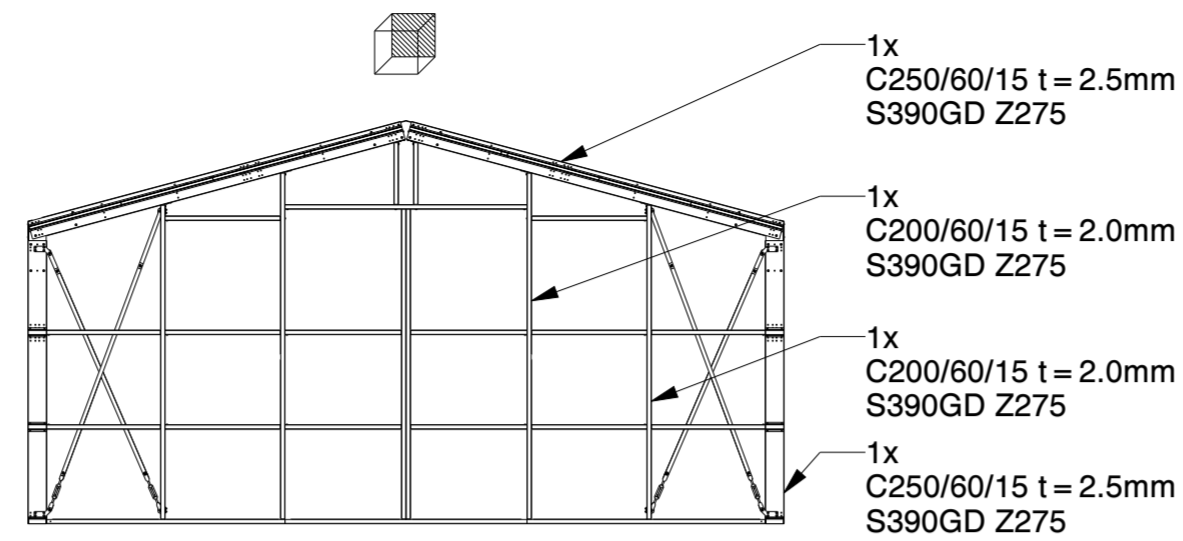
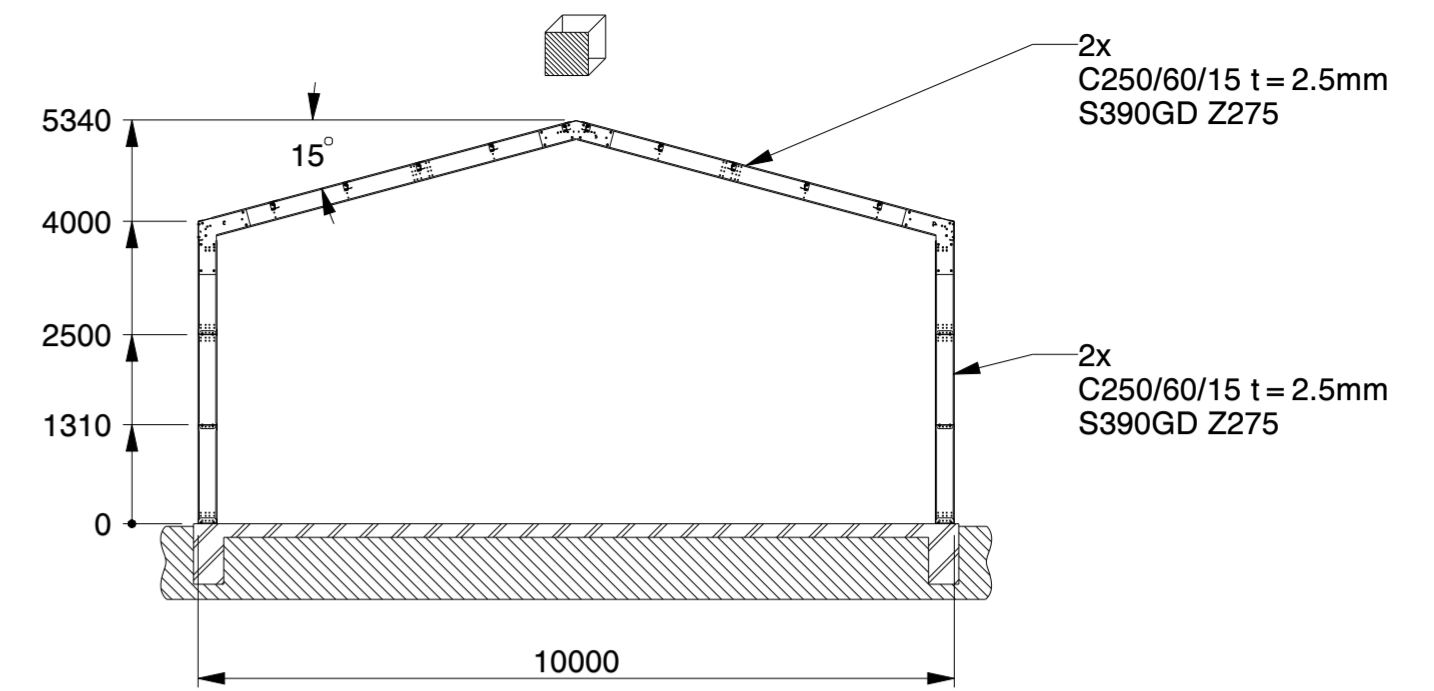


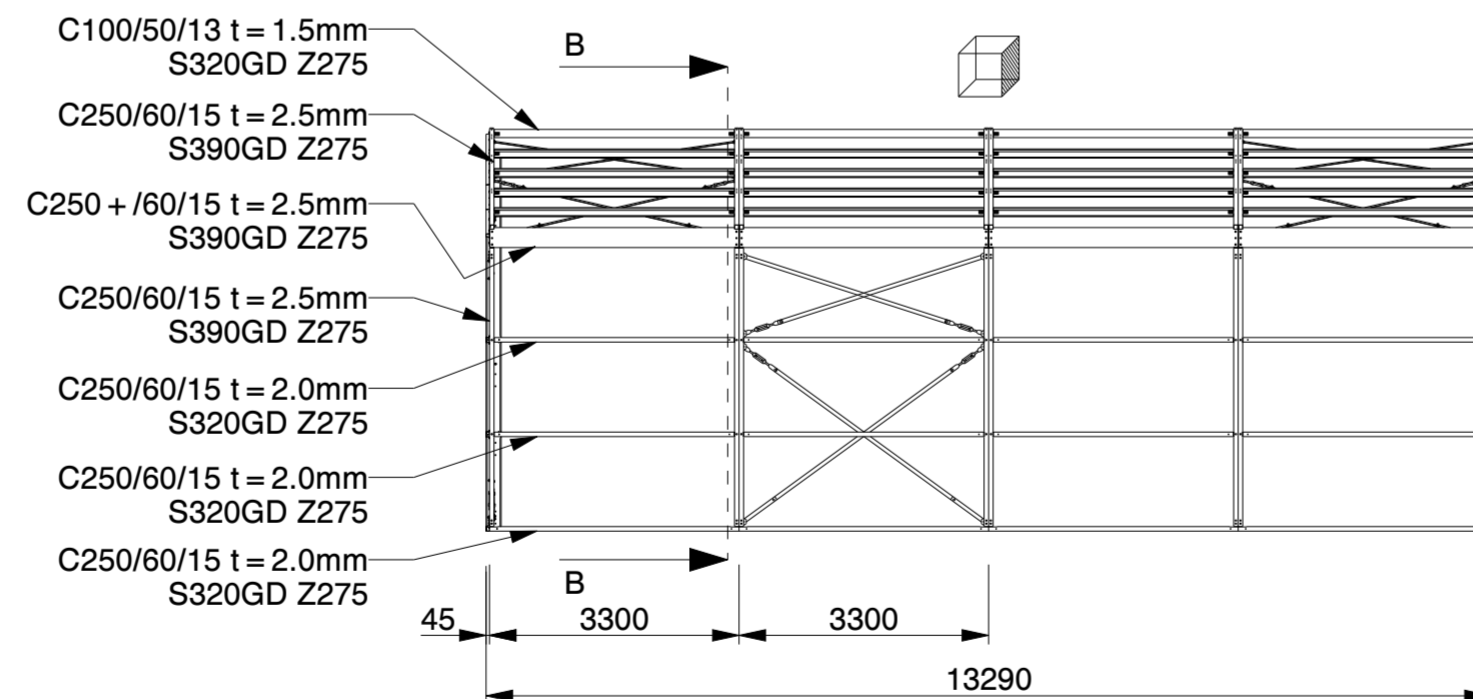
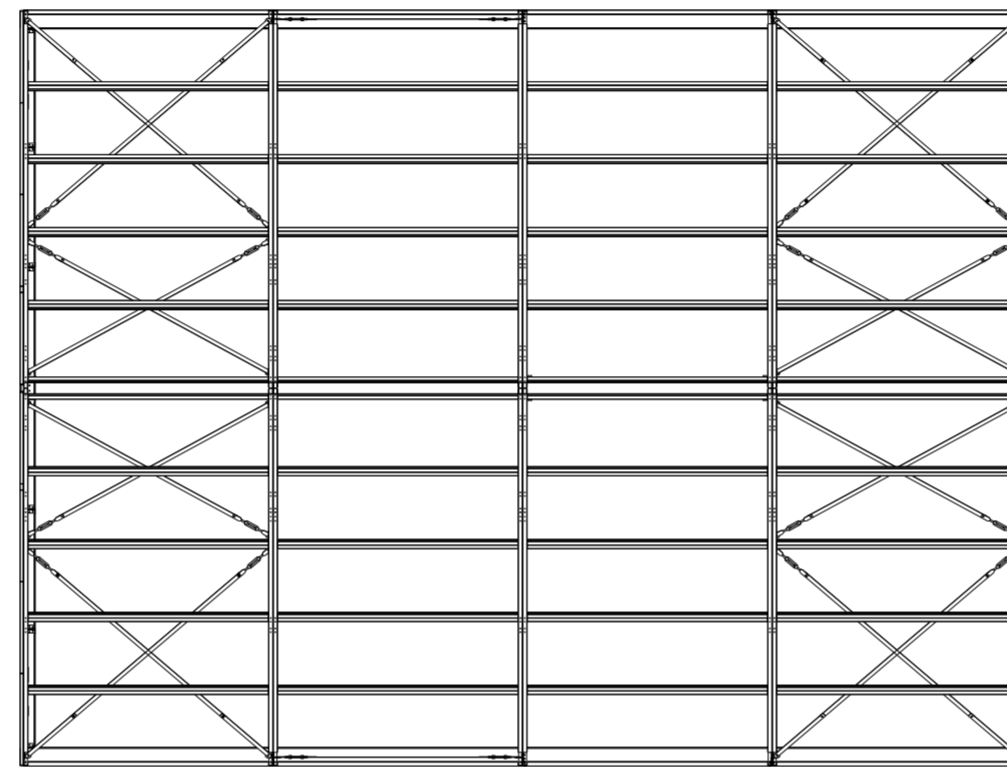
FRONT WALL



BACK WALL

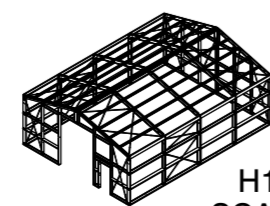


SECTION B-B



**Genehmigung / Approval / Goedkeuring**

Kundenname: Client name: Klantnaam:	Firmenstempel: Company stamp: Firmastempel:
Datum: Date: Datum:	
Unterschrift: Signature: Handtekening:	



H1013-40  
SCALE 1:500

NET USABLE AREA:  
**122.4 M2 (APPROX. 12.8 M X 9.5 M)**

<b>KROFTMAN</b>	LASERCUT ACCORDING: EN-ISO 9013-5-4-1		MATERIAL: See List	
	MATERIAL CERTIFICATE: 3.1 (OR 2.2 WHEN S235JR)		TREATMENT:	
	GALVANIZING ACCORDING: EN ISO 1461		STATUS: Under Review	
	BEND RADIUS UNLESS DEFINED R <sub>i</sub> =t			
GENERAL ROUGHNESS R <sub>a</sub> ✓	DIMENSION: ±	ANGLE: ±°	MODEL NUMBER <b>LCA00059</b>	REVISION: <b>3</b>
DESCRIPTION: <b>Lagerhalle / Storage Building / Opslagloods H1013-40 Frame only</b>				
SCALE: 1:100	UNITS: mm	PROJECTION: 	MODIFIED ON: 01-09-2023	APPROVED ON:
			MODIFIED BY: AVA	APPROVED BY:
			MASS: 3776,8 kg	Sheet 1 of 1 Size: A2
© KROFTMAN STRUCTURES B.V. Duplication and copying without written permission of the owner is prohibited				