

Installation Manual

T1220 Storage Shelter



SPECIFICATION

Length: 21.4m Width: 12.2m Height: 7.6m Sidewall height:4.2m

Door dimension: W4.5xH4.5m

IMPORTANT----READ MANUAL FIRST

Improper site preparation, assembly and maintenance may invalidate warranty and cause unnecessary and costly mistakes. If you have any questions contact your local dealer.

For User Friendly assembly we have identified each individual component with the part code as indicated in the parts list. Please refer to the part code numbers and drawing to ensure problem free assembly.

It's necessary to tighten the roof fabric enough to avoid "hammocks" on the roof and also re-tighten once or twice again after a few months of use. This is important when assembly in cold weather (autumn and winter) because the fabric is stiff then and when we got the sun and warm weather afterwards it will make the fabric " slack " again and need to be re-tighten before next winter.

It's **the owners responsibility** to take of snow immediately if not slide of by itself.

READ ALL INSTRUCTIONS BEFORE ASSEMBLY

1. Keep work area clean. Cluttered areas invite injuries. Do not set up near snow drifts, in slippery places, in high winds, or wet location.
2. Keep children away. All children should be kept away from the work area. Be aware of personal safety. Be careful not to pinch fingers with clips and tubes when assembling: when using makes sure there is adequate ventilation for exhaust and other dangerous fumes.
3. Do not over reach. Keep proper footing and balance at all times.
4. Do not assemble if under the influence of alcohol or drugs. Read warning labels on prescription to determine if your judgment or reflexes are impaired while taking drugs. IF there is any doubt, do not assemble.
5. Be aware of possible windy conditions; fasten the base in concrete if these situations may occur. Remove the cover during hurricane.
6. Be careful with power and heat sources. Do not keep heat sources near the tarpaulin. Do not expose to open flame.
7. Be aware of personal safety during assembly and use .Be careful not to pinch fingers with clips and tubes when assembling when using makes sure there is adequate ventilation for exhaust and other dangerous fumes.

21.4x12.2x7.6m Part List

Part	Description	QTY	
1	Top roof tube	7sets	
1A	Top roof tube at front door	1 set	
2	Roof curving tube	12sets	
2A	Roof curving tube at front door	2sets	
3	Lower curving tube	12sets	
3A	Lower curving tube at front door	2	
3B	Lower curving tube at back door	2	
4	Roof curving tube at shoulder height	12	
4A	Roof curving tube at front and back door	4	
5	Upper standing leg	16	
5A	Lower standing leg	16	
6	Purlin	77	
7	Base flange for standing legs	12	
7A	Base flange in left corner	2	
7B	Base flange in right corner	2	
7C	Base flange with screw	20sets	
8	Base flange for mechanical door	2	
9	Base flange for front and back cover	6	
10L	Lower door track for front door at left	1	
10R	Lower door track for front door at right	1	
11L	Upper door track for front door at left	1	
11R	Upper door track for front door at right	1	
12	Door beam on front door	1set	
12A	Vertical support tube for front door beam	1	
13	Lower standing leg at left for front door	1	
13A	Lower standing leg at right for front door	1	
14	Upper standing leg at front door	2	
15	Middle rail at front door	6	
15A	Middle rail at front door	2	
16	Tube for front Mechanical door	1	

17	Steel wire at side	14	
18	Clips to connect steel wire	50	
19	Steel wire on top	16	
20	Tensioning tube at front door	4	
21	Stake Peg	80	
22	Tensioning tube for Roof cover	2 sets	
23	Lower standing leg for back door	4	
24	Middle standing leg for back door	2	
24A	Upper standing leg at side for back door	2	
25	Upper standing leg in middle for back door	2	
26	Tensioning tube for back cover	5	
27	Rail for back door	11	
28	Rail at sidewall for back door	2	
29	Door tube	7sets	
30	Mechanical wheels	1set	
31	12X50 bolt for tubes and both doors	192 sets	
32	10X80 Bolt for purlin and both doors	88 sets	
33	10x90 bolt for both doors	32 sets	
34	12x100 bolt	16 sets	
35	10X80 Bolt for front door	6sets	
36	10X60 Bolt for front door	10	
37	10X30	8	
38	32mm Plastic cap	22	
39	Rope	6	
40	Band for tie down ratchet	16	
41	Roof cover	1	
42	Front cover	1	
43	Back cover	1	

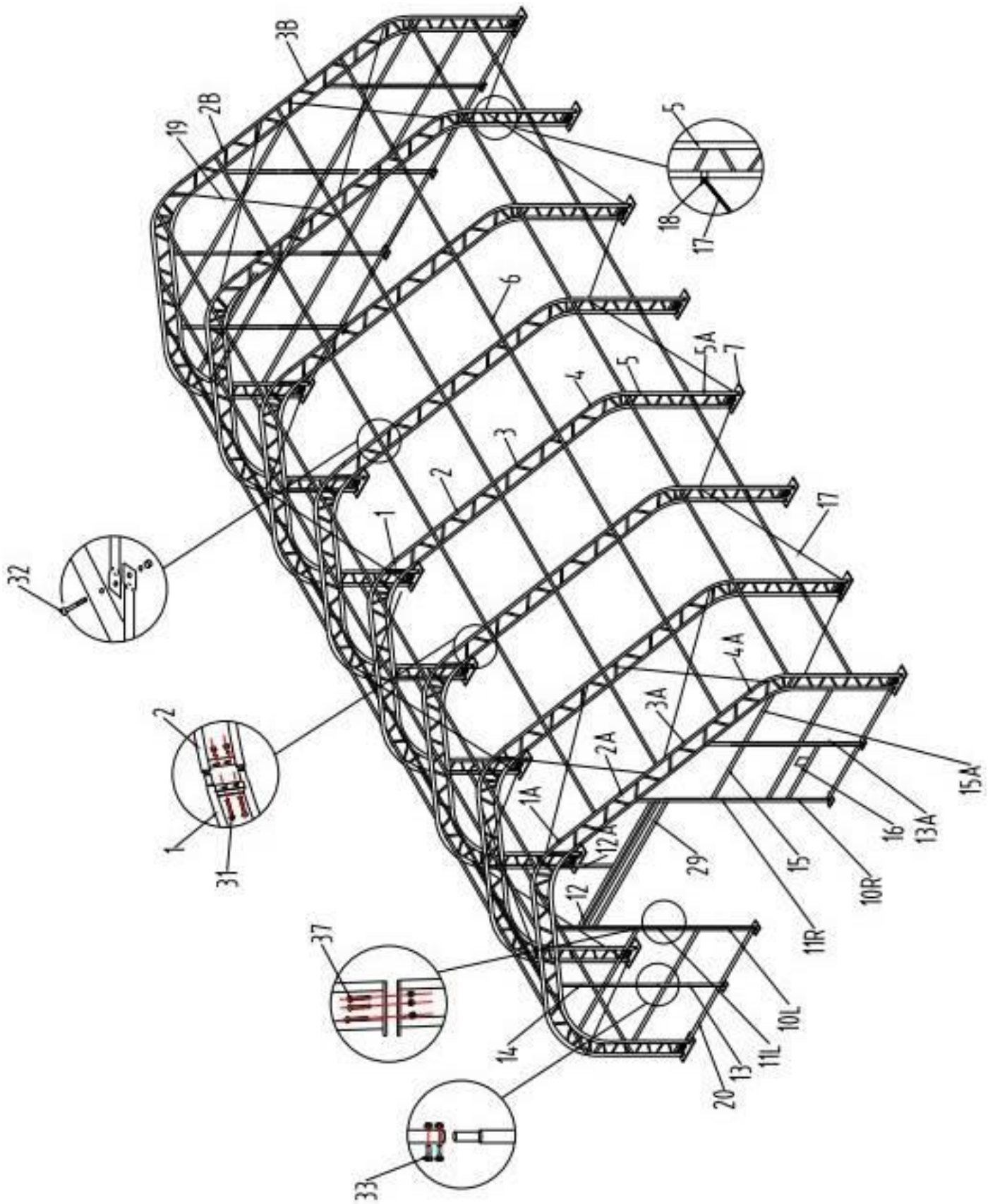


Figure 1: Sketch of trussed frame shelter
 Size: L21.4xW12.2xH7.6m

EQUIPMENT AND TOOLS FOR INSTALLATION

1. Measuring Tape
2. String for alignment
3. Stake
4. Ladder or Scissors Lift
5. Sledge Hammer
6. Drill
7. Wrench
8. Knife
9. Hoist

INSTALLATION PROCESS

A----BASE INSTALLATION

Please refer to the diagram (Figure 2) to place the base plates:

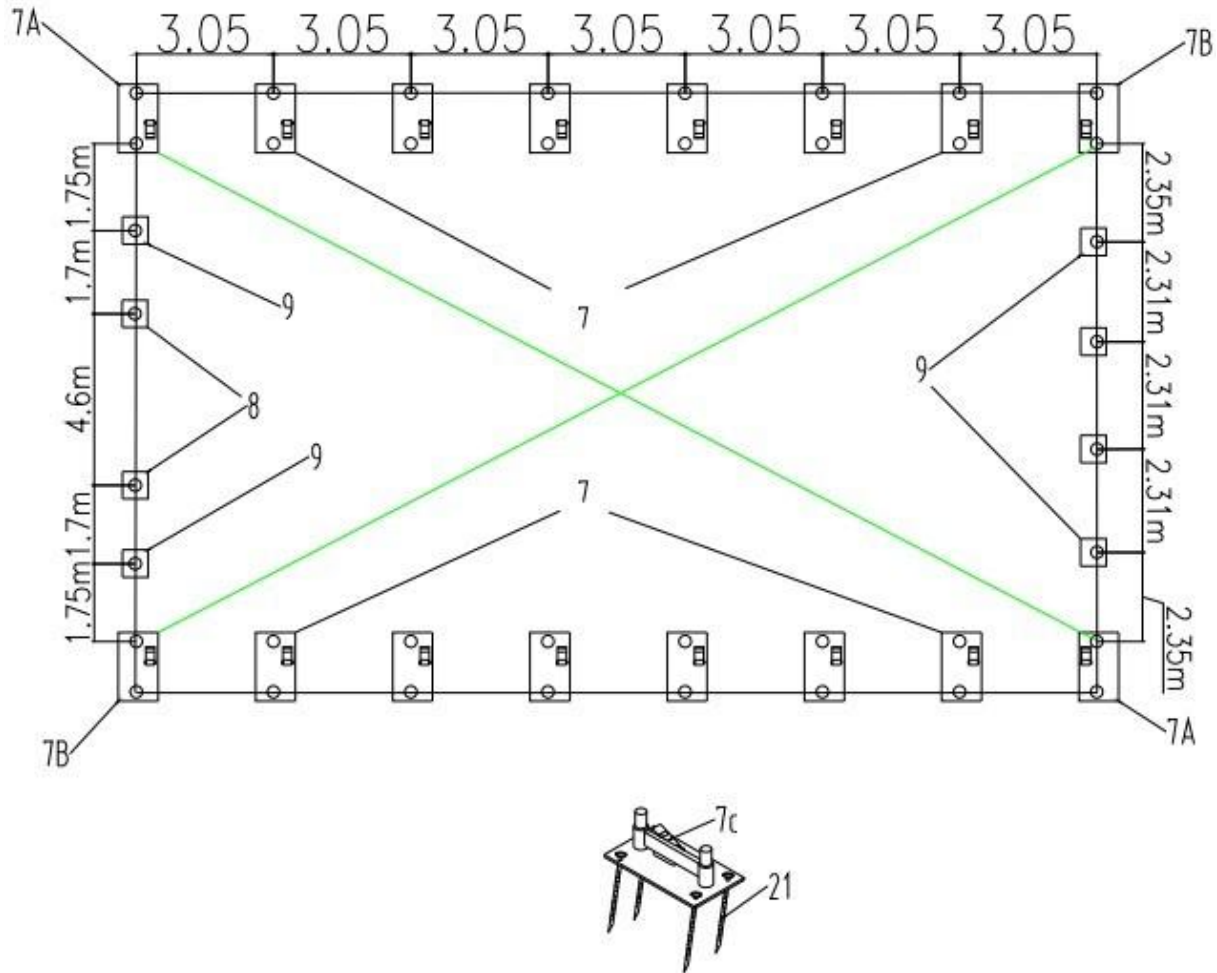


Figure 2 Base Flange

1. The measurement is from center to center of tubes on the base plates. Referring to the above diagram and confirm the place of base plates. There are four holes on the plates for stake pegs.

Foundation placement

As Figure 2 shows each Base plate is equipped with 4 pieces of Stake pegs with ratchets on.(No.21)

1. Mark the stake peg hold through the base plate by using the stake peg. Move the base plates away and the mark determines where the stake peg will be.
2. **Note:** The stake peg apply for normal conditions, not suitable to the rock ground, frozen soil and concrete ground.

B---FRAME INSTALLATION

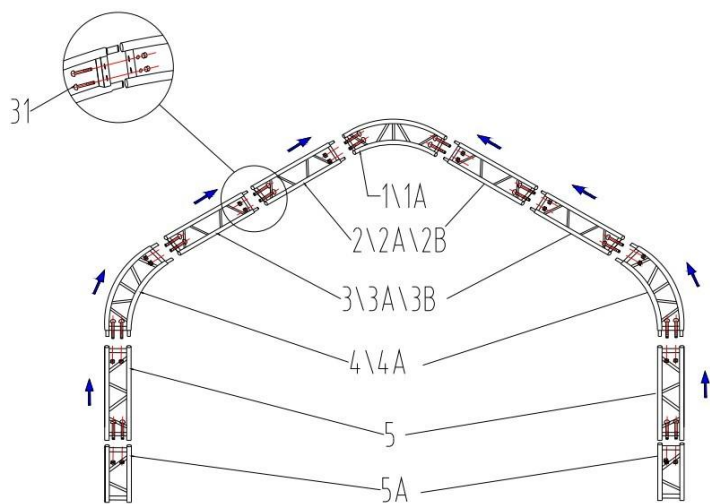


Figure 3

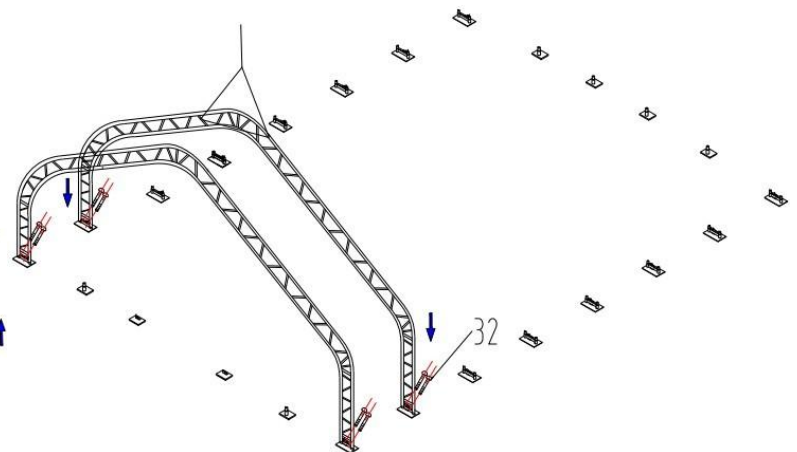


Figure 4

1. Figure 3 shows to connect the Top roof tube (No. 1/1A), Roof curving tube (No. 2/2A), Lower curving tube (No. 3/3A), Roof curving tube at shoulder (No. 4/4A) and Upper standing leg (No. 5), Lower standing leg (No. 5A) with Bolt M12x50 (No. 31), then put the arch into tube of the Base flange by hoist, and assemble every group arch by turns (see Figure 4). **Do not install the bolts on the top of the truss where the fabric will rest.**

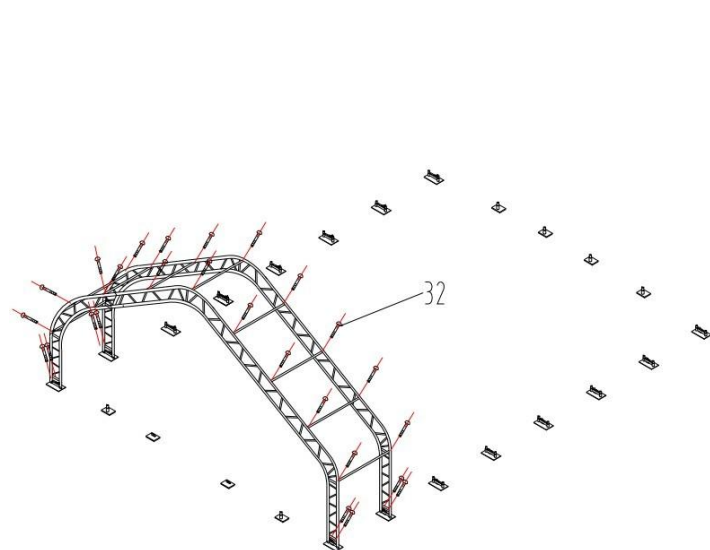


Figure 5

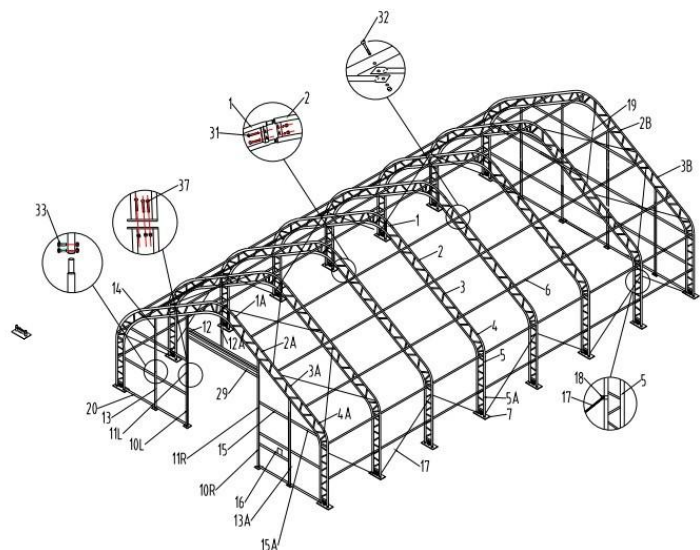


Figure 6

3. Connect Purlin (No. 6) to arch by using Bolt 10x80 (No. 32) by turns (see Figure 5), then connect the Steel wire (NO. 17 and NO. 19) on top and side by using Clip (No. 18) (see Figure 6).

Do not tighten down the nuts completely until frame is fully assembled and set in place. the arches, the front and back panel should be assembled well on the ground before erected into the Base Flanges.

C--- INSTALLING FRONT DOOR

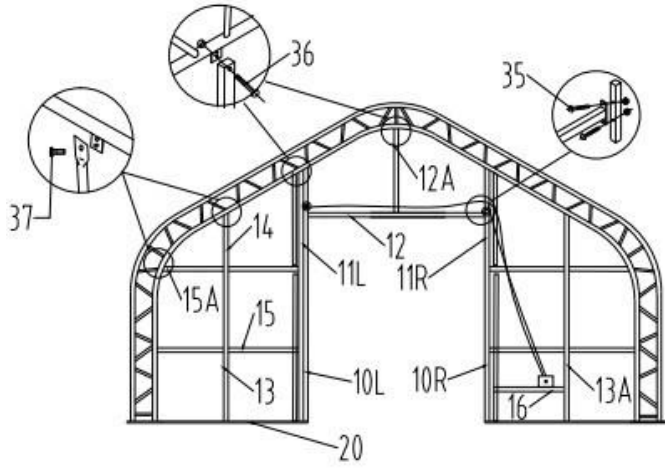


Figure 7: Front Door (seeing from outside)

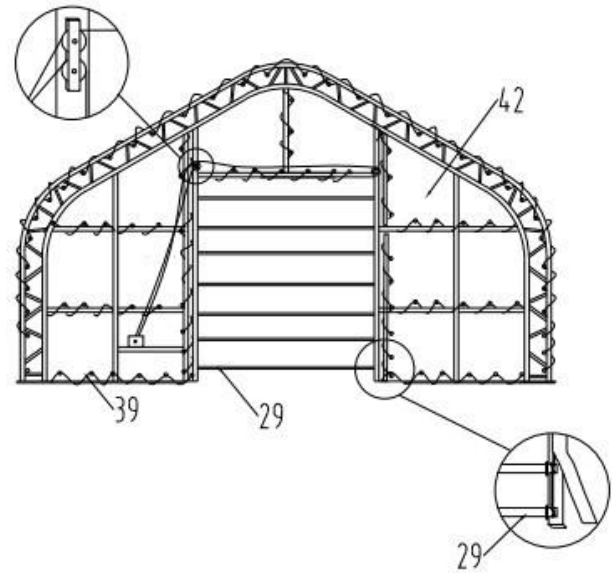


Figure 8: Front Cover (seeing from inside)

D--- INSTALLING BACK DOOR

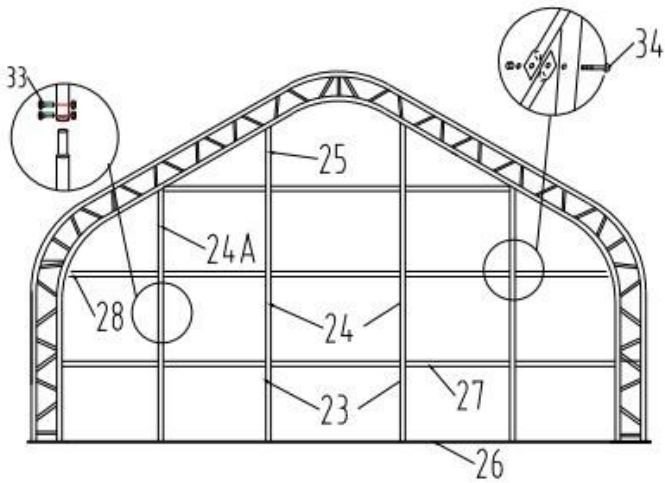


Figure 9: Back door (seeing from outside)

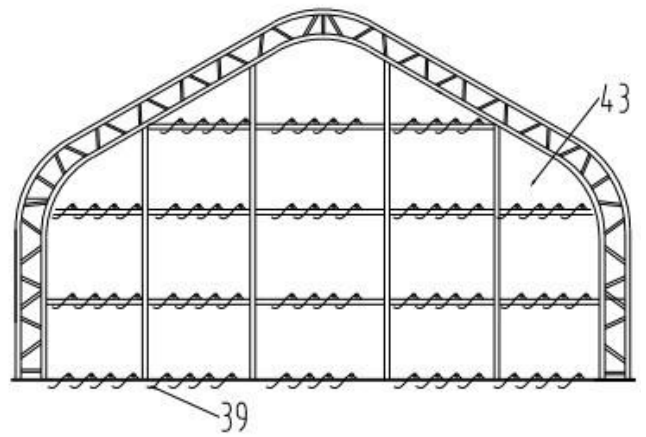


Figure 10: Back cover (seeing from outside)

E--- INSTALLING THE ROOF COVER

NOTE: Do not install the cover onto the frame of your building in high wind conditions.

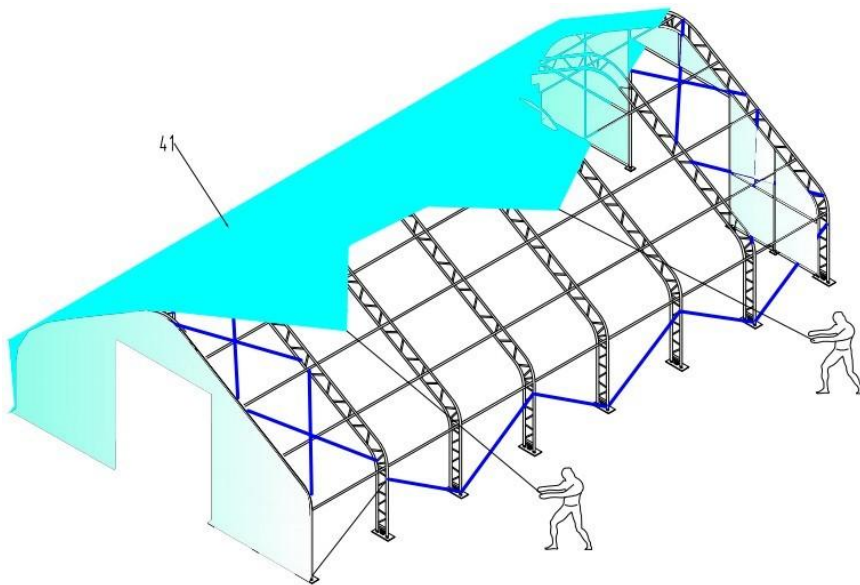


Figure 11

1. As Figure 11 shows, when Roof cover is over top of Frame assembly (see Figure 11) ,insert Tensioning tubes(NO.22) into pockets along both sides of Roof cover, connect the Ratchet (Part NO.7C) to the tensioning tube by part (see Figure 12),then put the plastic cap (NO.38) to end of tensioning tubes.

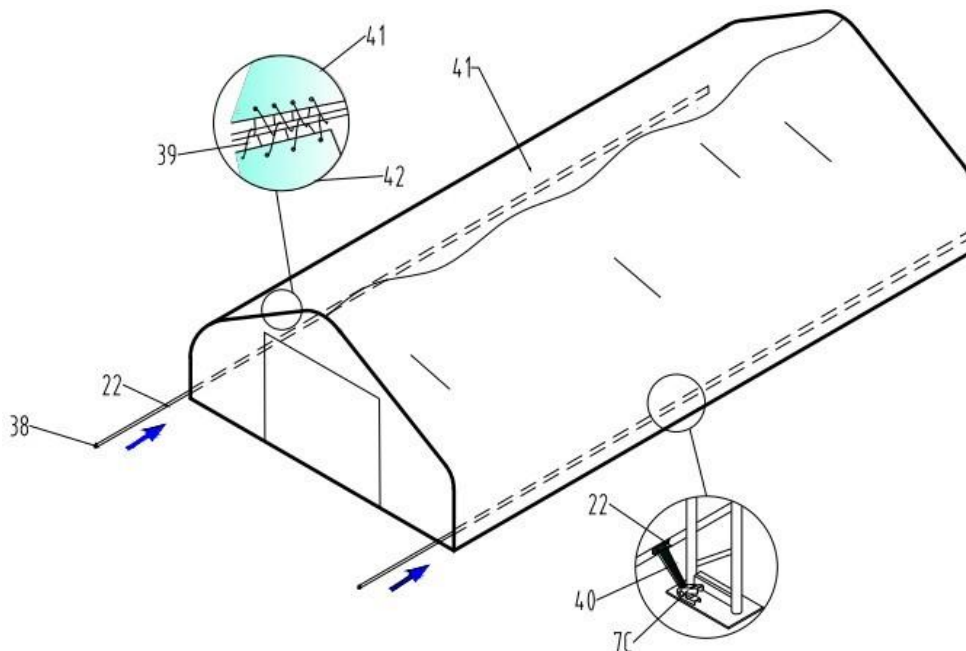


Figure 12

2. As Figure 12 shows, align one side of Roof cover evenly front to back, add band(No.30) for tie down ratchet at each point along the cover opening, Put band for tie down ratchets over cover tensioning tubes at each base plate along one side. Bands do not attach to tensioning tubes, but loop around and secure at both ends on ratchet.
3. The roof cover is tensioned frond front to back by the rope lacing to grommet flaps inside the main cover, inside the unit at both front and rear arches. using the rope provided, lace the main cover grommet flap around the main frame front and rear arch pieces. start in the top middle of each arch, and lace to each side. add rope length by tying pieces together or cutting as necessary.

CONGRATULATIONS:

NOW YOUR ASSEMBLY IS COMPLETED.