



Kroftman Structures B.V.

P.O. Box 158
6900AD Zevenaar
The Netherlands
T +31 26 700 9 700
F +31 84 8672 412
E sales@kroftman.nl
I www.kroftman.nl

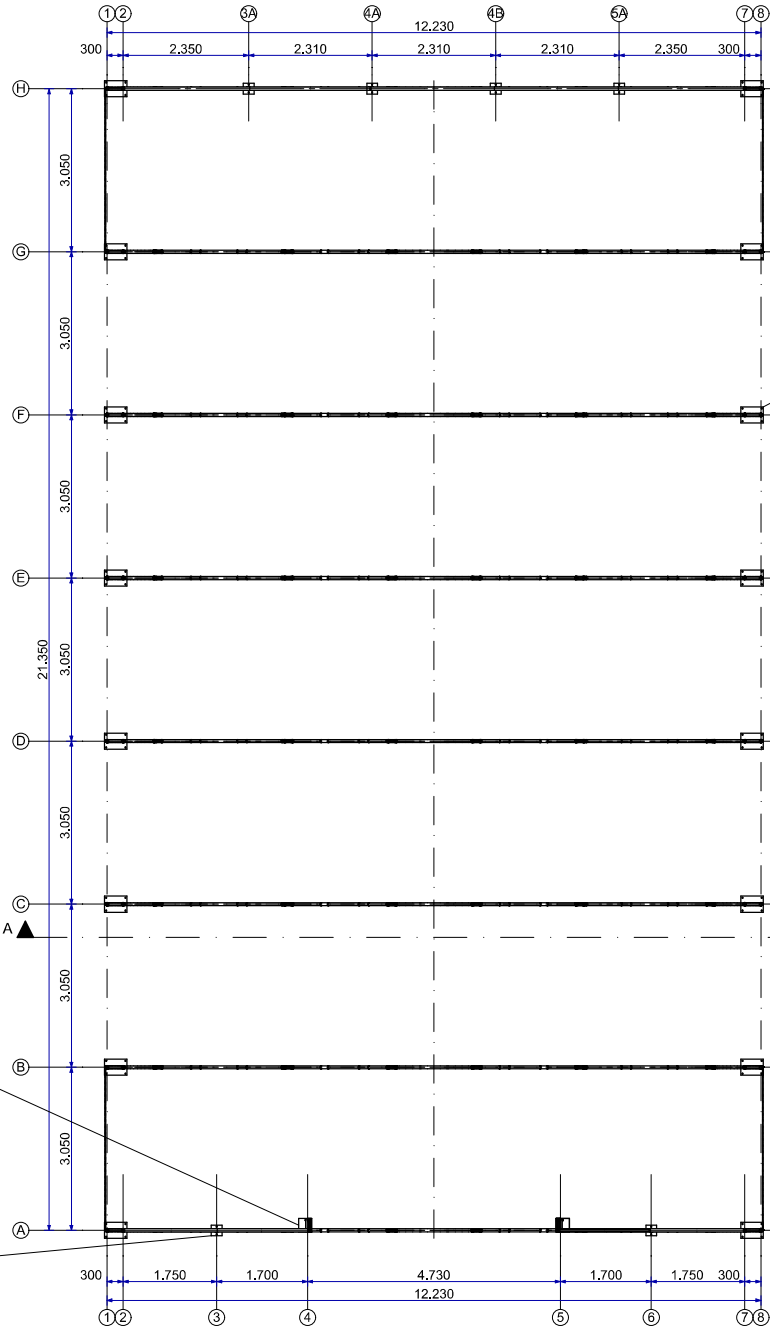
STORAGE TENT T1 220

ID **DESCRIPTION**

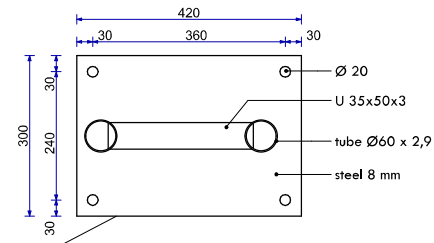
01	Floor plan, section A-A
02	Roof plan
03	Elevations
04	Frame 3D



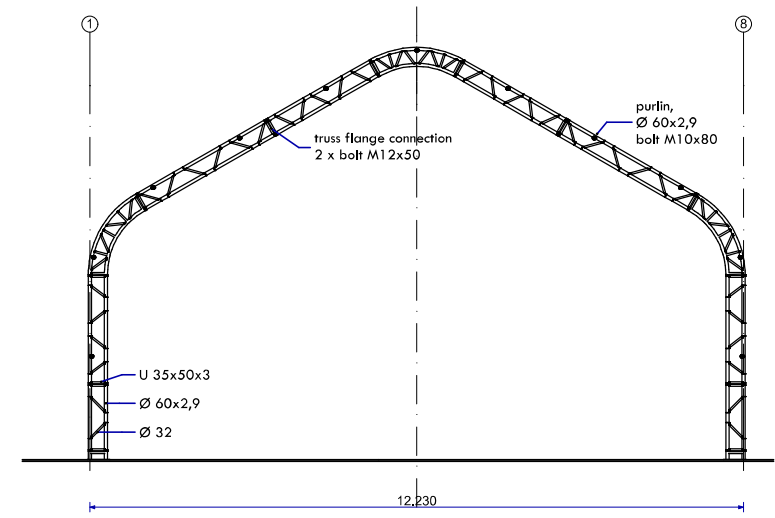
Kroftman Structures B.V.
P.O. Box 158
6900AD Zevenaar
The Netherlands
T +31 26 700 9 700
F +31 84 8672 412
E sales@kroftman.nl
I www.kroftman.nl



Floor plan

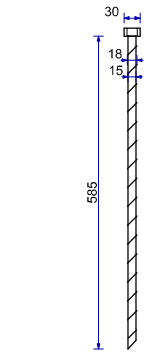


base plate 07

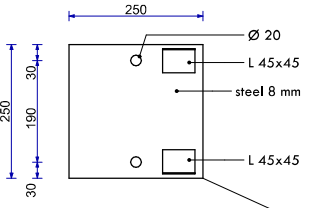


Section A-A

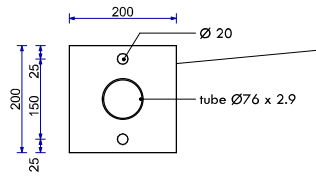
DESCRIPTION: Floor plan, section A-A



earth anchor



base plate 08



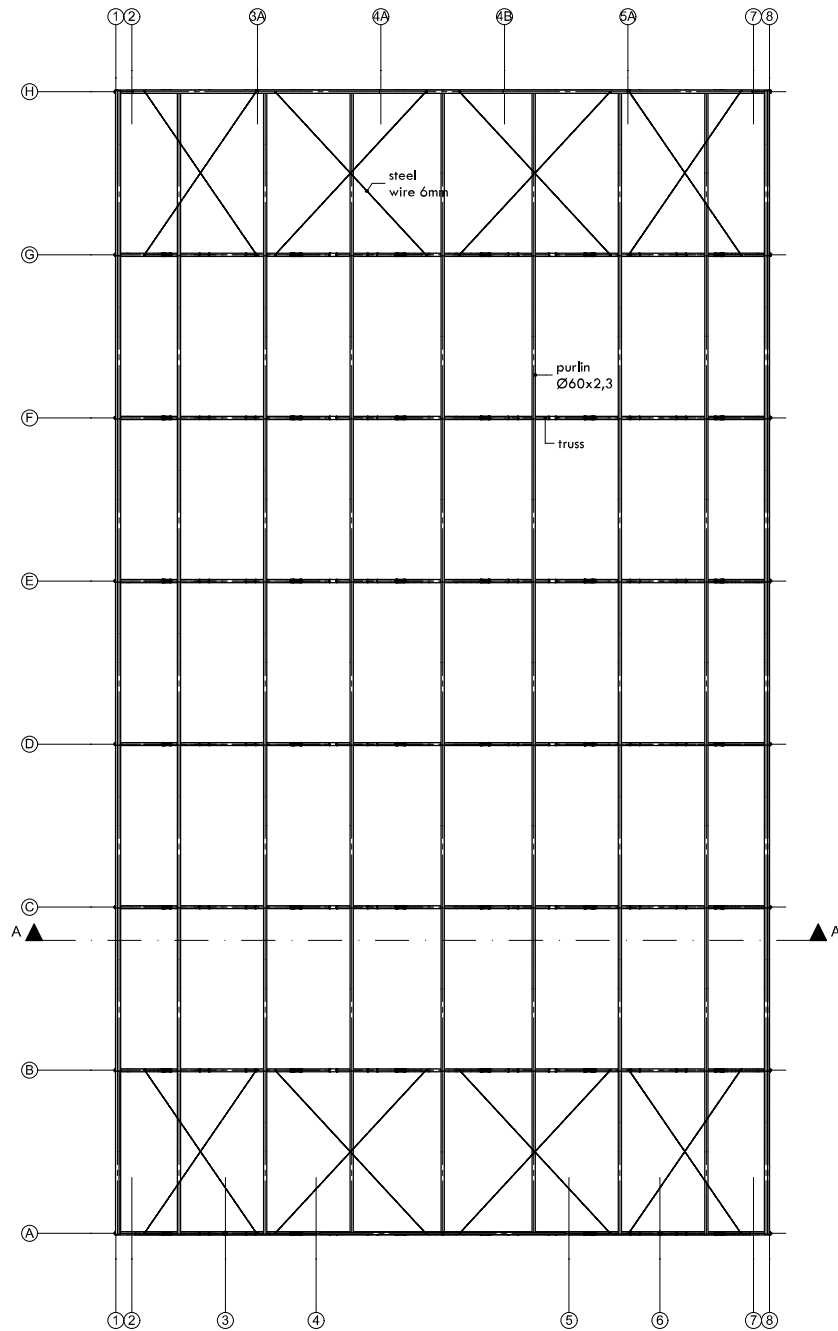
base plate 09



Kroftman Structures B.V.
 P.O. Box 158
 6900AD Zevenaar
 The Netherlands
 T +31 26 700 9 700
 F +31 84 8672 412
 E sales@kroftman.nl
 I www.kroftman.nl

SHEET: 01
 TYPE: T1220
 Format: A3
 Drawing scale: 1:100, 1:10
 Date: 29-4-2016
 Drawn by: J. van Dijk

All dimensions are in millimeters



Roof plan

Maximum snow load:
30 kg/m² (0,30 kN/m²)

Maximum wind load: conform EN13782: 0,60 kN/m²

Materials:

- Steel S355, galvanized
- trusses 60 x 2,9 mm; diagonals 32 mm
- vertical tubes in front and back: 76 x 2,9 mm
- horizontal tubes in front and back: 60 x 2,9 mm
- additional supports from trusses to verticals: see picture
- diagonal wire: 6 mm

DESCRIPTION: Roof plan

SHEET: 02

TYPE: T1220

Format: A3

Drawing scale: 1:100

Date: 29-4-2016

Drawn by: J. van Dijk

All dimensions are in millimeters



Kroftman Structures B.V.

P.O. Box 158

6900AD Zevenaar

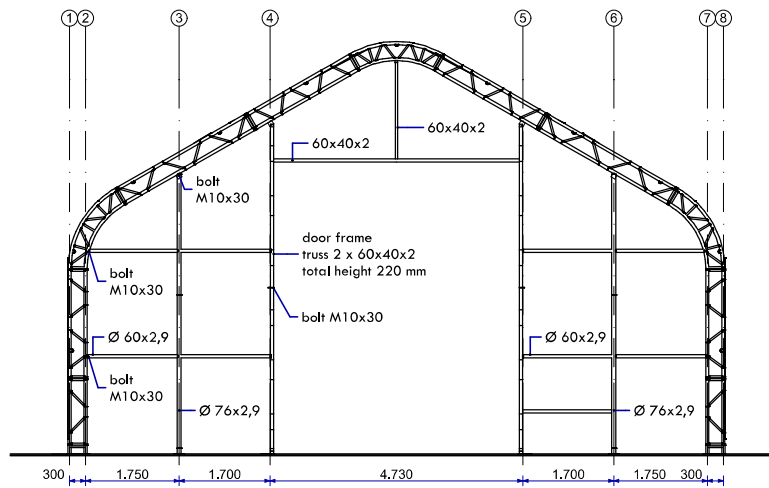
The Netherlands

T +31 26 700 9 700

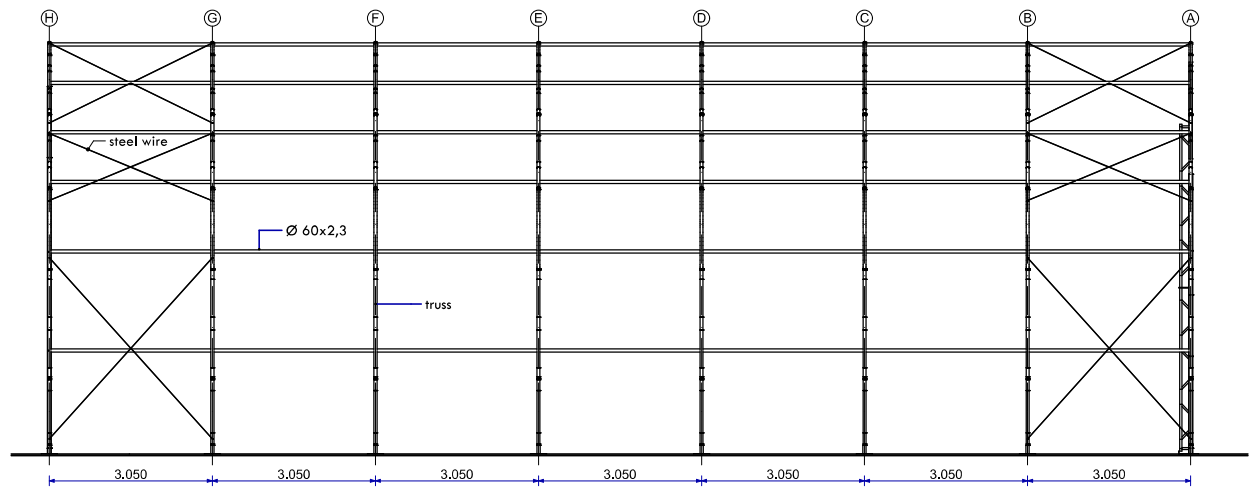
F +31 84 8672 412

E sales@kroftman.nl

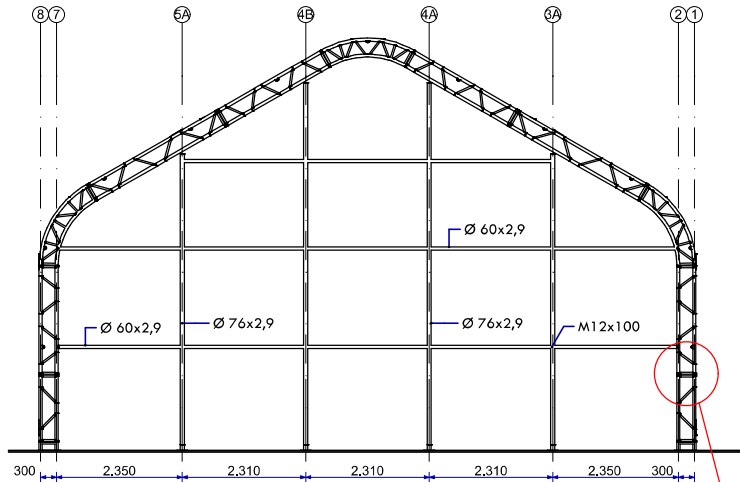
I www.kroftman.nl



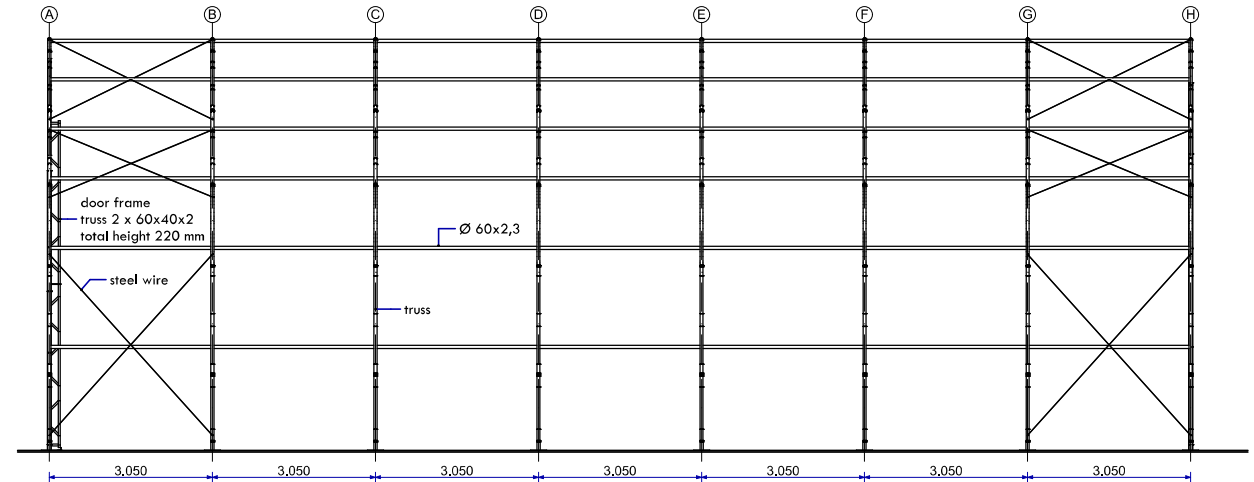
front elevation



left elevation

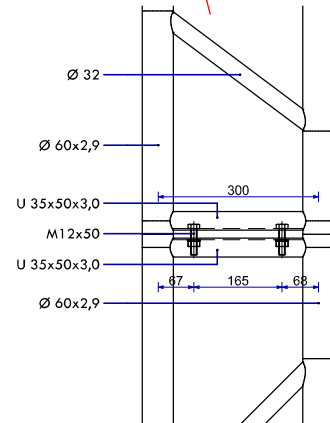


back elevation



right elevation

- fastening base plates: 4 x stake peg 18x585 mm
- connection trusses: 2 x bolt M12x50
- connection trusses to base plate: 2 x bolt M10x80
- connection purlin to truss: bolt M10x80



truss

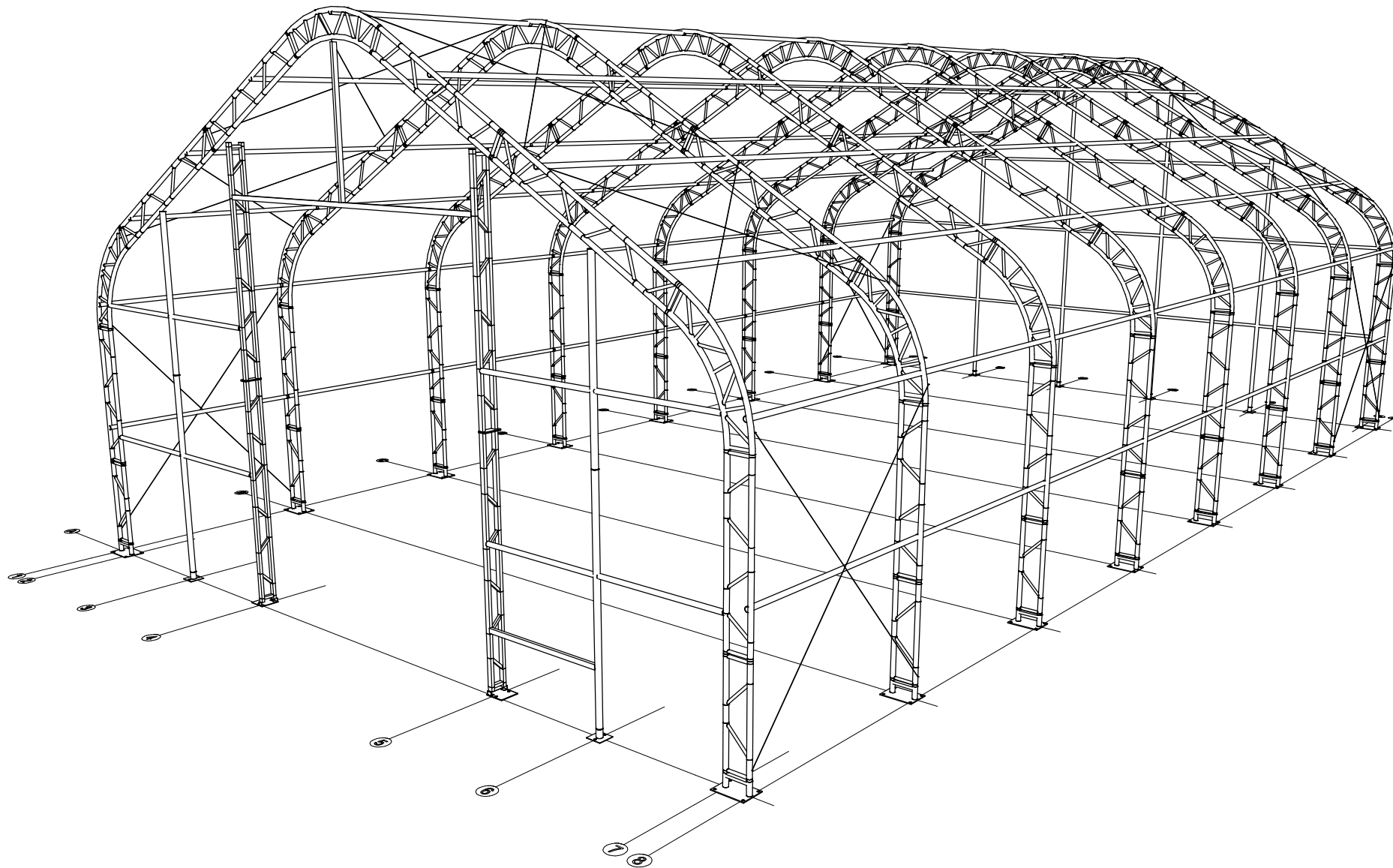
DESCRIPTION: Elevations

SHEET: 03
 TYPE: T1220
 Format: A3
 Drawing scale: 1:100, 1:10
 Date: 29-4-2016
 Drawn by: J. van Dijk

All dimensions are in millimeters



Kroftman Structures B.V.
 P.O. Box 158
 6900AD Zevenaar
 The Netherlands
 T +31 26 700 9 700
 F +31 84 8672 412
 E sales@kroftman.nl
 I www.kroftman.nl



DESCRIPTION: Frame 3D

SHEET: 04
TYPE: T1220
Format: A3
Drawing scale: 1:75
Date: 29-4-2016
Drawn by: J. van Dijk

All dimensions are in millimeters



Kroftman Structures B.V.
P.O. Box 158
6900AD Zevenaar
The Netherlands
T +31 26 700 9 700
F +31 84 8672 412
E sales@kroftman.nl
I www.kroftman.nl