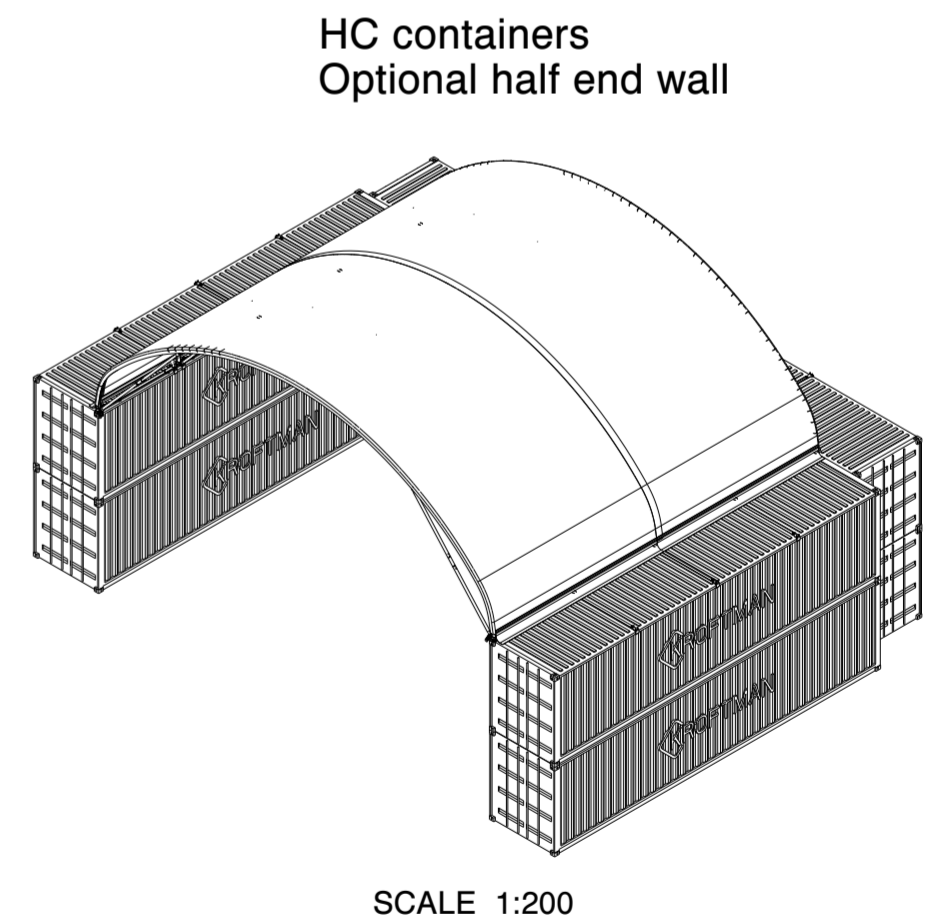
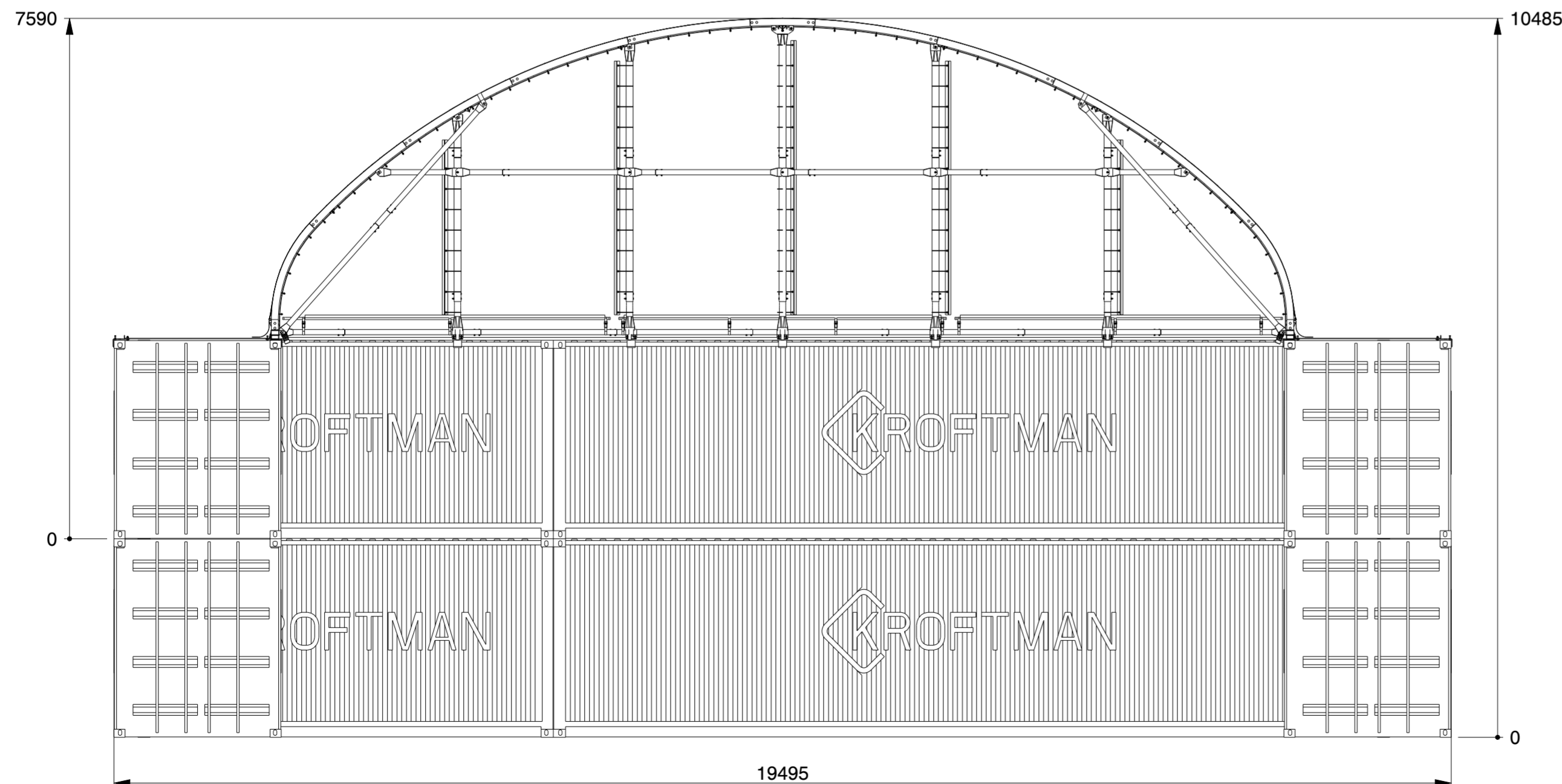
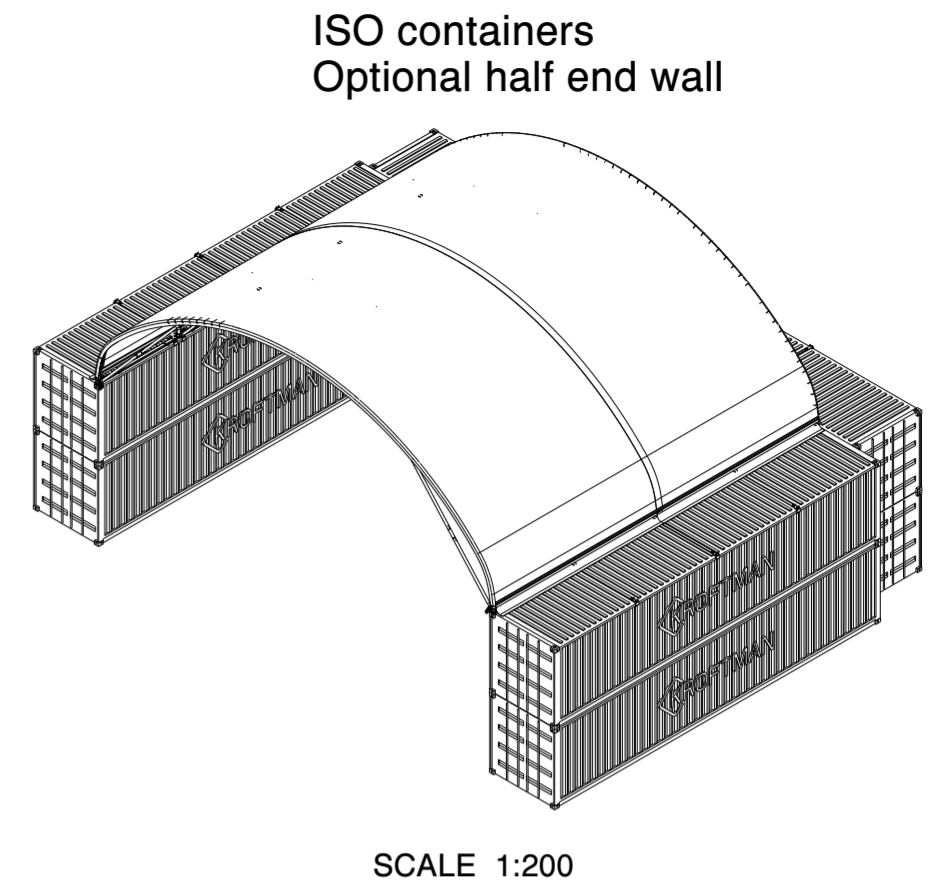
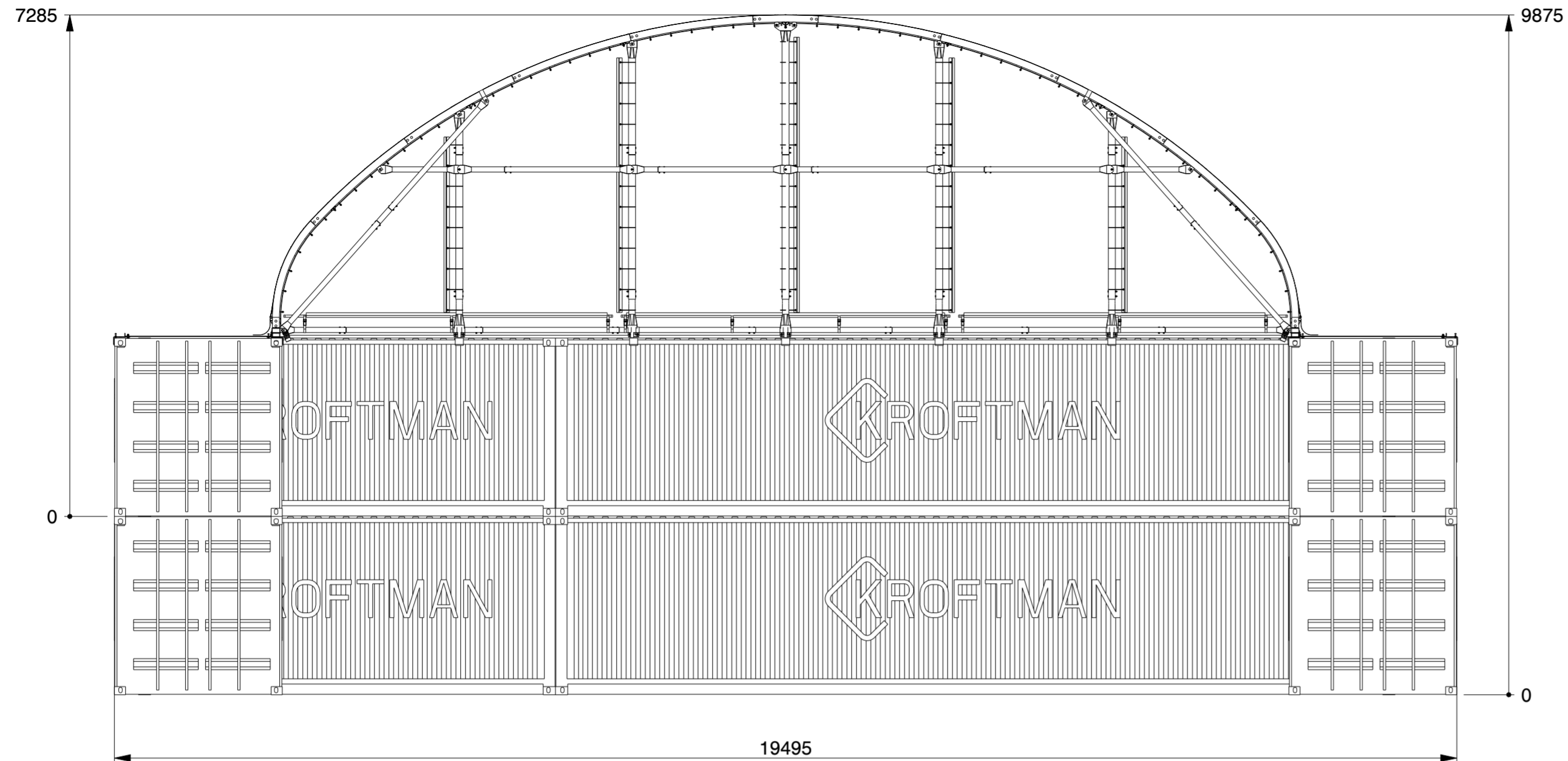


Rev.	Date	Drawn	Description	Remarks
1	22-10-2025	HM	CT-A-1512 changed to swage base rails	

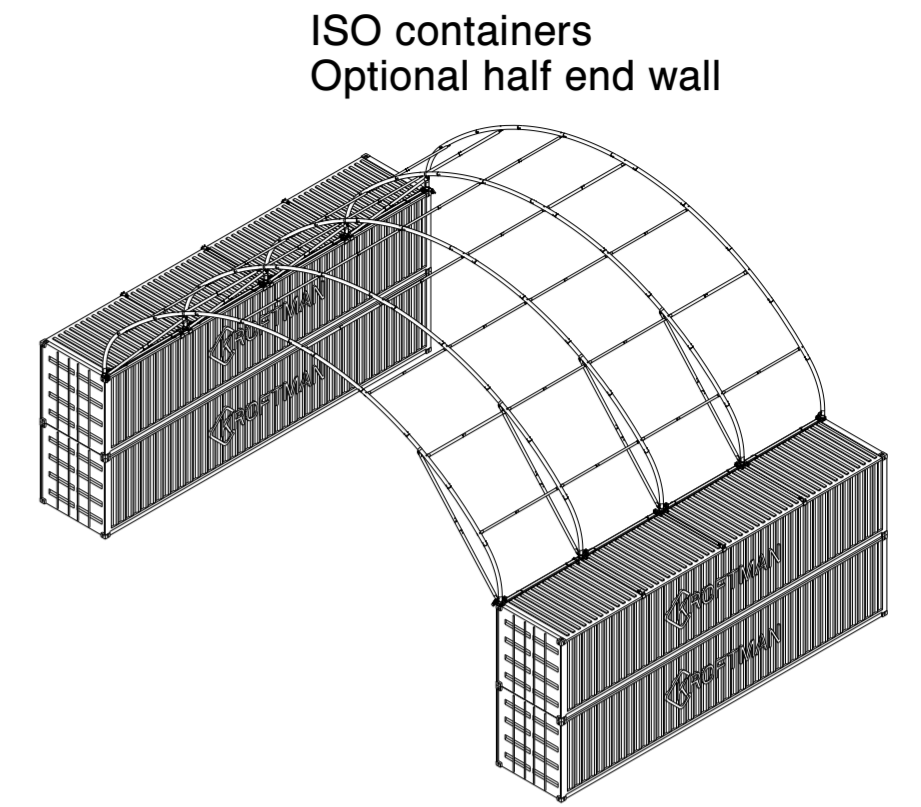
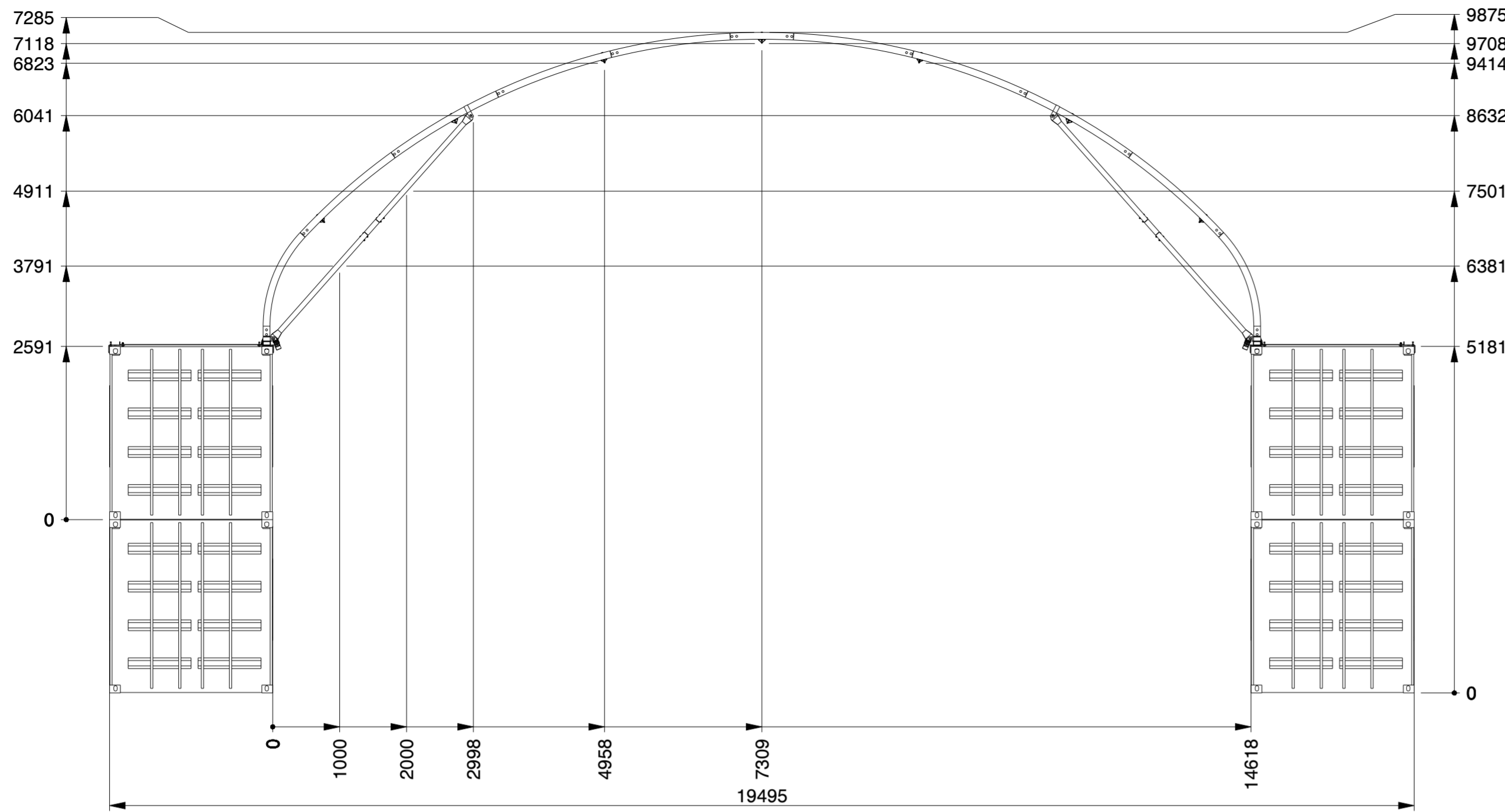


<b>KROFTMAN</b>	LASERCUT ACCORDING: EN-ISO 9013-5-4-1		MATERIAL: See List	
	MATERIAL CERTIFICATE: 3.1 (OR 2.2 WHEN S235JR)		TREATMENT: None	
	GALVANIZING ACCORDING: EN ISO 1461		STATUS: Released	
	BEND RADIUS UNLESS DEFINED R <sub>i</sub> =1		REVISION: <b>1</b>	
TOLERANCES UNLESS OTHERWISE SPECIFIED:				
GENERAL ROUGHNESS Ra x	DIMENSION: ±x	ANGLE: ±x°	MODEL NUMBER <b>TCA0239</b>	
DESCRIPTION: <b>CT-A-1512 ISO and HC</b>				
SCALE: 3:200	UNITS: mm	PROJECTION: 	MODIFIED ON: 22-10-2025	APPROVED ON: 23-10-2025
			MODIFIED BY: HME	APPROVED BY: BVB
			MASS: 4918,0 kg	Sheet 1 of 5
				Size: A2

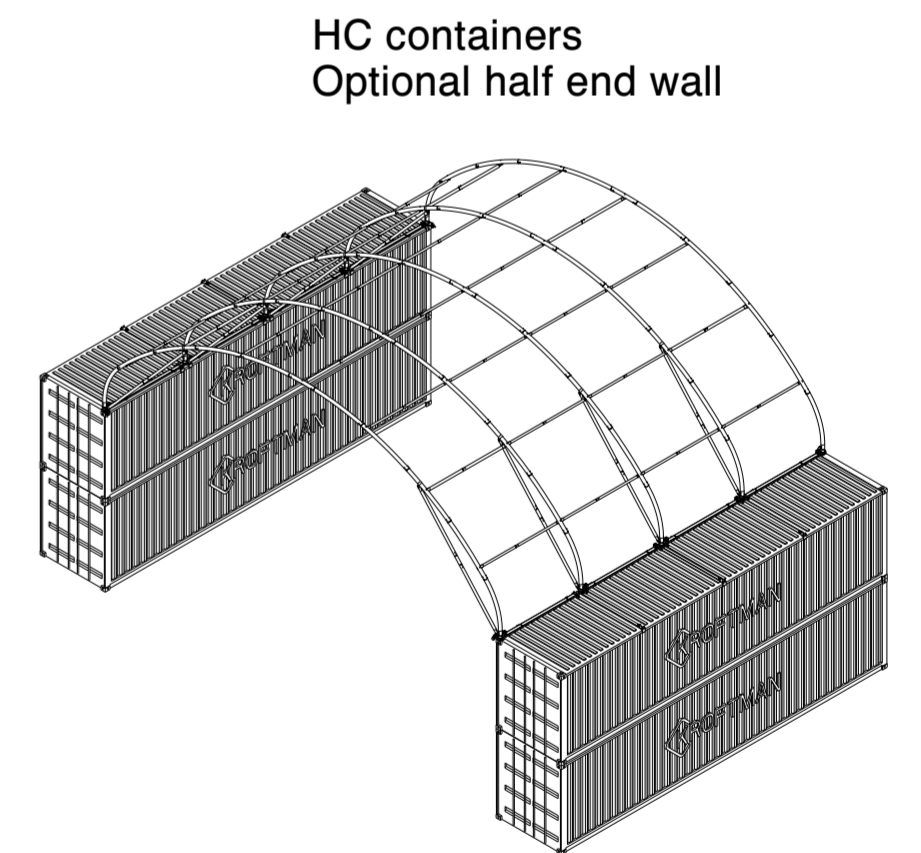
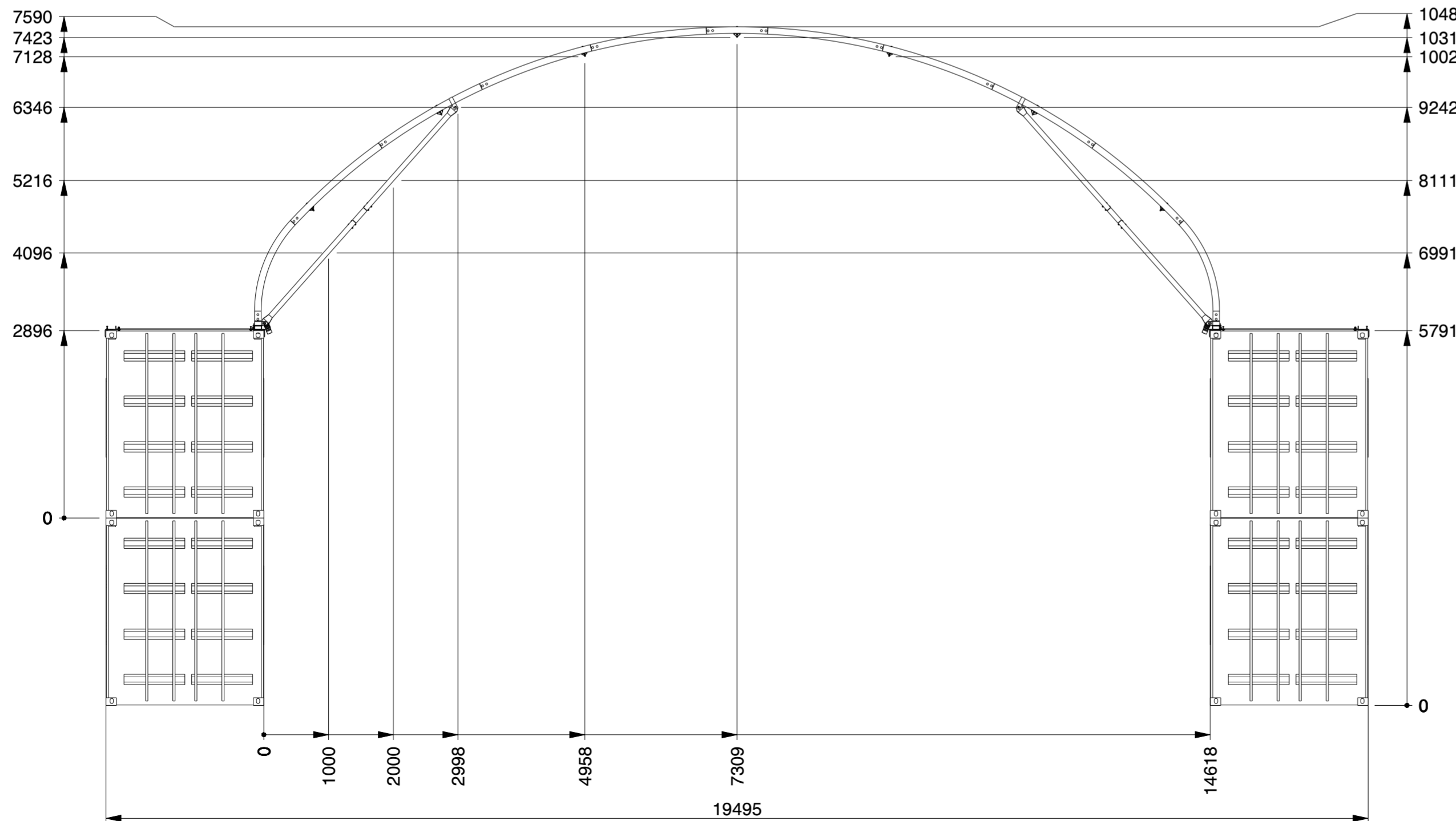
© KROFTMAN STRUCTURES B.V. Duplication and copying without written permission of the owner is prohibited

DRAWING NAME: TCA0239 MODEL VERSION: 1.1

Rev.	Date	Drawn	Description	Remarks
1	22-10-2025	HM	CT-A-1512 changed to swage base rails	



SCALE 1:200

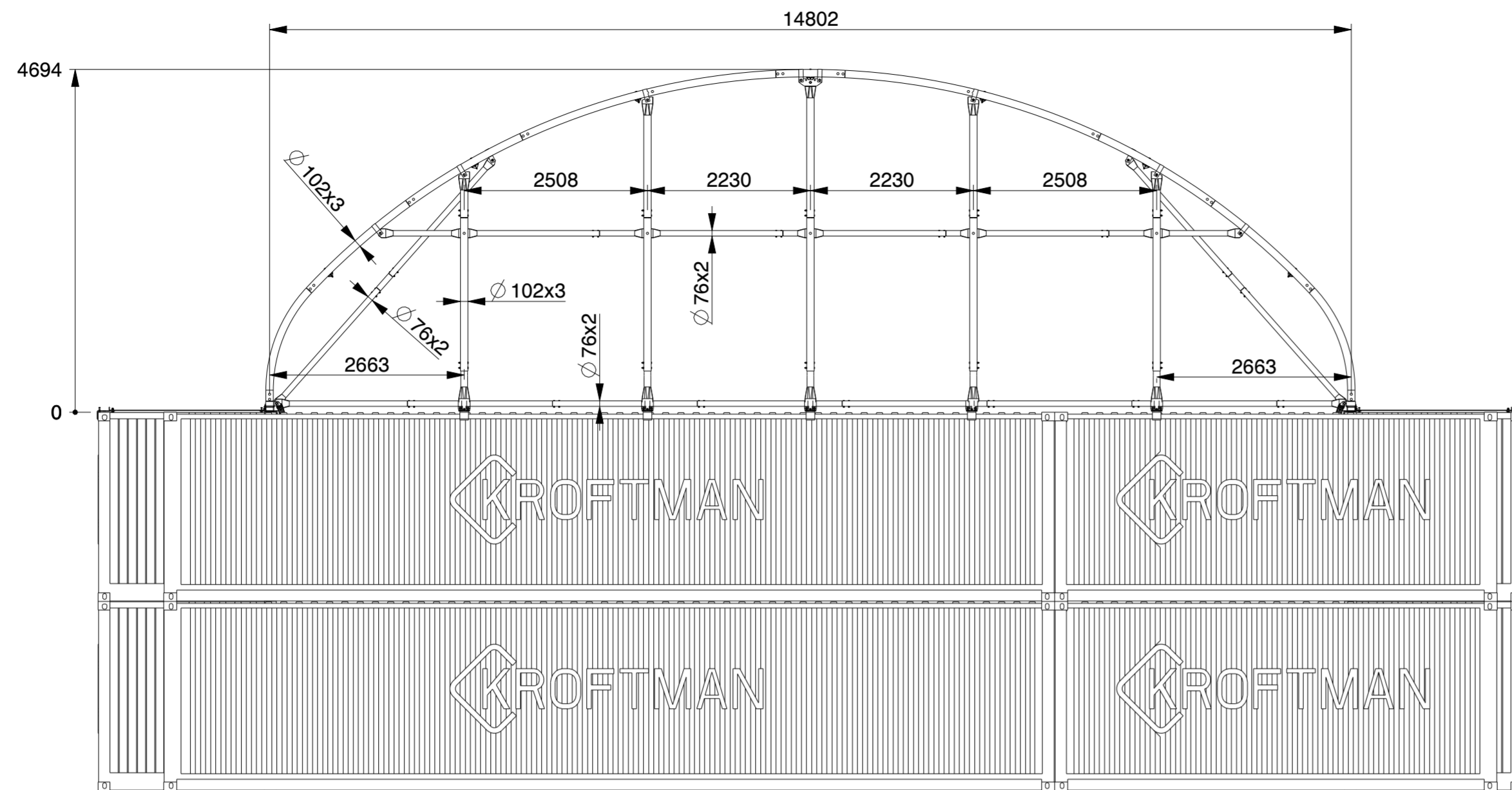


SCALE 1:200

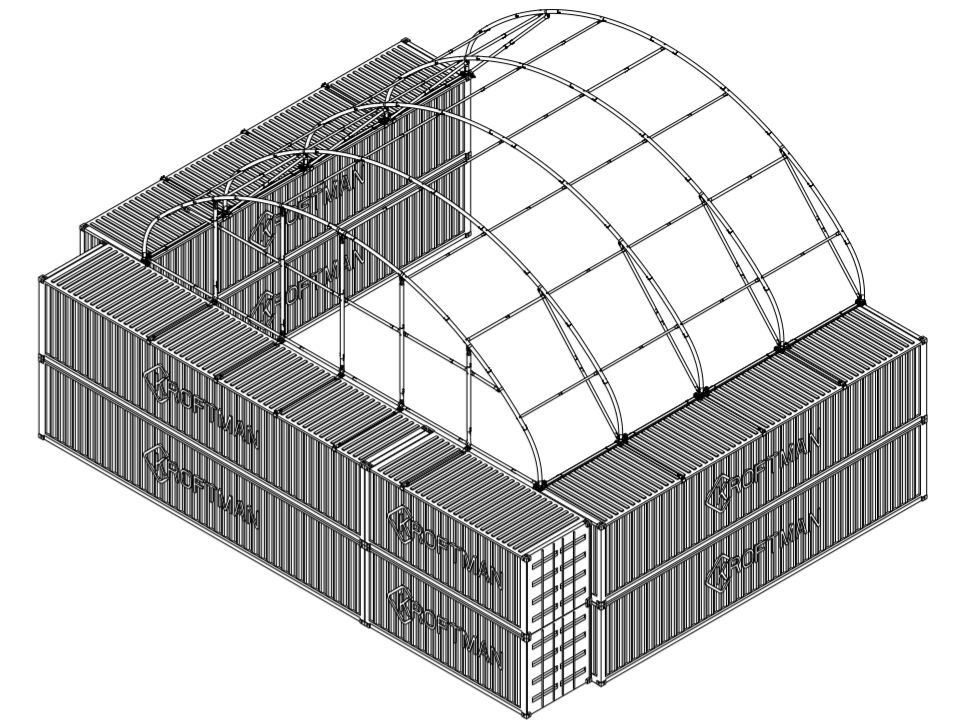
<b>KROFTMAN</b>	LASERCUT ACCORDING: EN-ISO 9013-5-4-1		MATERIAL: See List	
	MATERIAL CERTIFICATE: 3.1 (OR 2.2 WHEN S235JR)		TREATMENT: None	
	GALVANIZING ACCORDING: EN ISO 1461		STATUS: Released	
	BEND RADIUS UNLESS DEFINED R <sub>i</sub> =1		REVISION: 1	
TOLERANCES UNLESS OTHERWISE SPECIFIED:		MODEL NUMBER TCA0239		
GENERAL ROUGHNESS Ra x	DIMENSION: ±x	ANGLE: ±x°	DESCRIPTION: CT-A-1512 ISO and HC	
SCALE: 3:200	UNITS: mm	PROJECTION: 	MODIFIED ON: 22-10-2025	APPROVED ON: 23-10-2025
© KROFTMAN STRUCTURES B.V. Duplication and copying without written permission of the owner is prohibited		MODIFIED BY: HME		APPROVED BY: BVB
		MASS: 4918,0 kg		Sheet 2 of 5
				Size: A2

DRAWING NAME: TCA0239 MODEL VERSION: 1.1

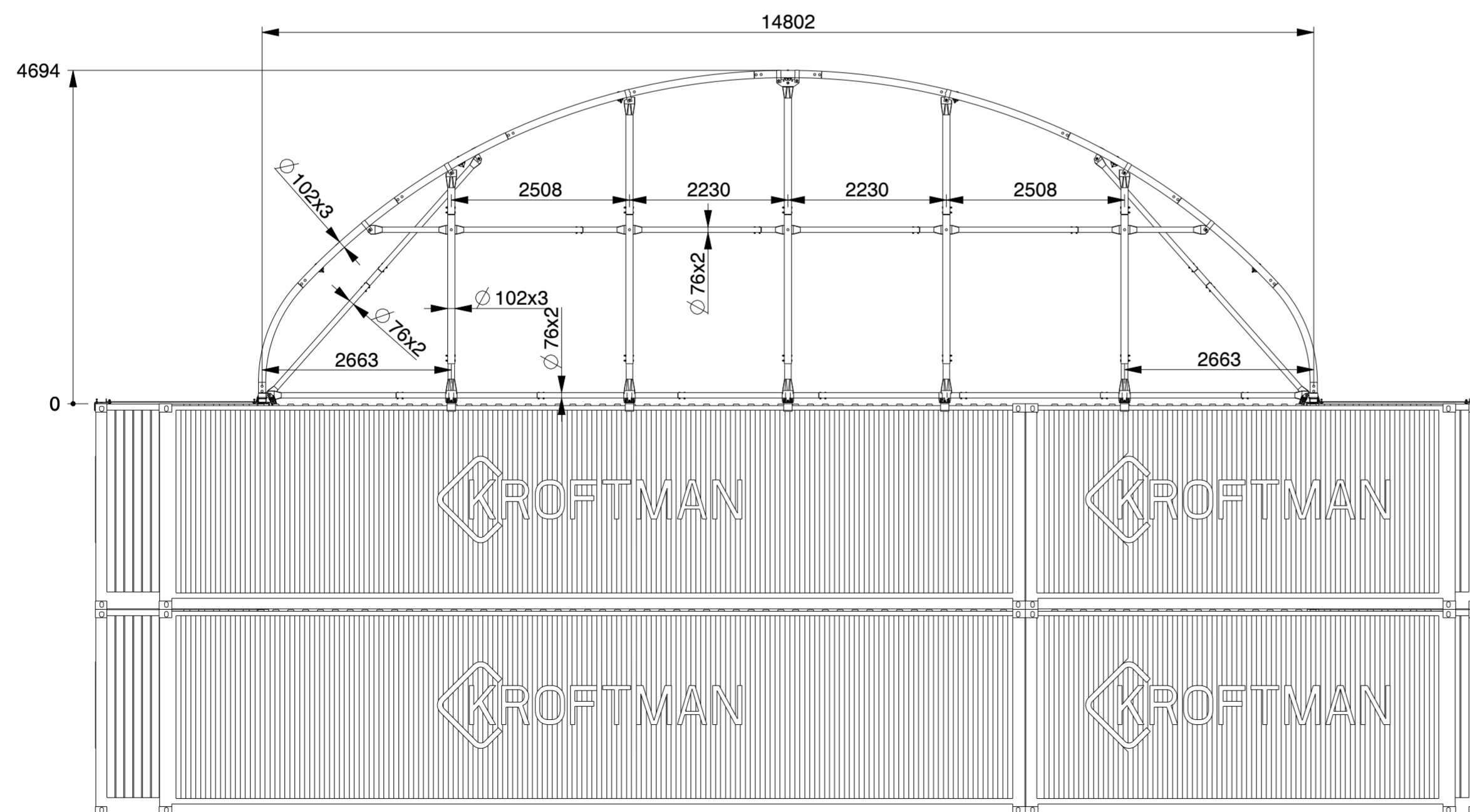
Rev.	Date	Drawn	Description	Remarks
1	22-10-2025	HM	CT-A-1512 changed to swage base rails	



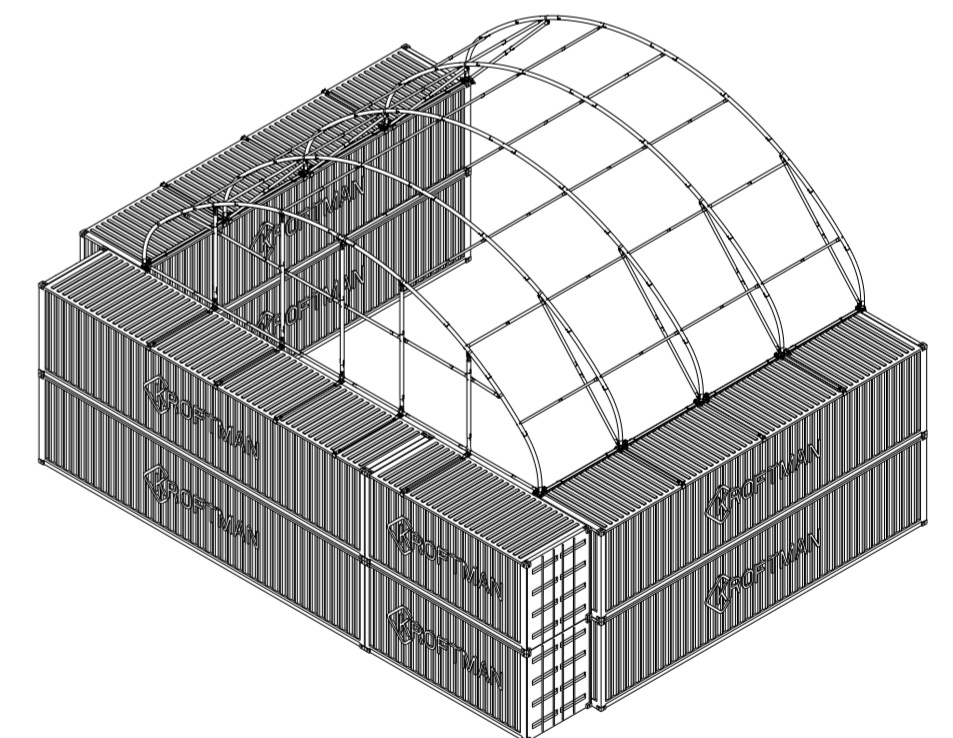
ISO containers  
Optional half end wall



SCALE 1:200



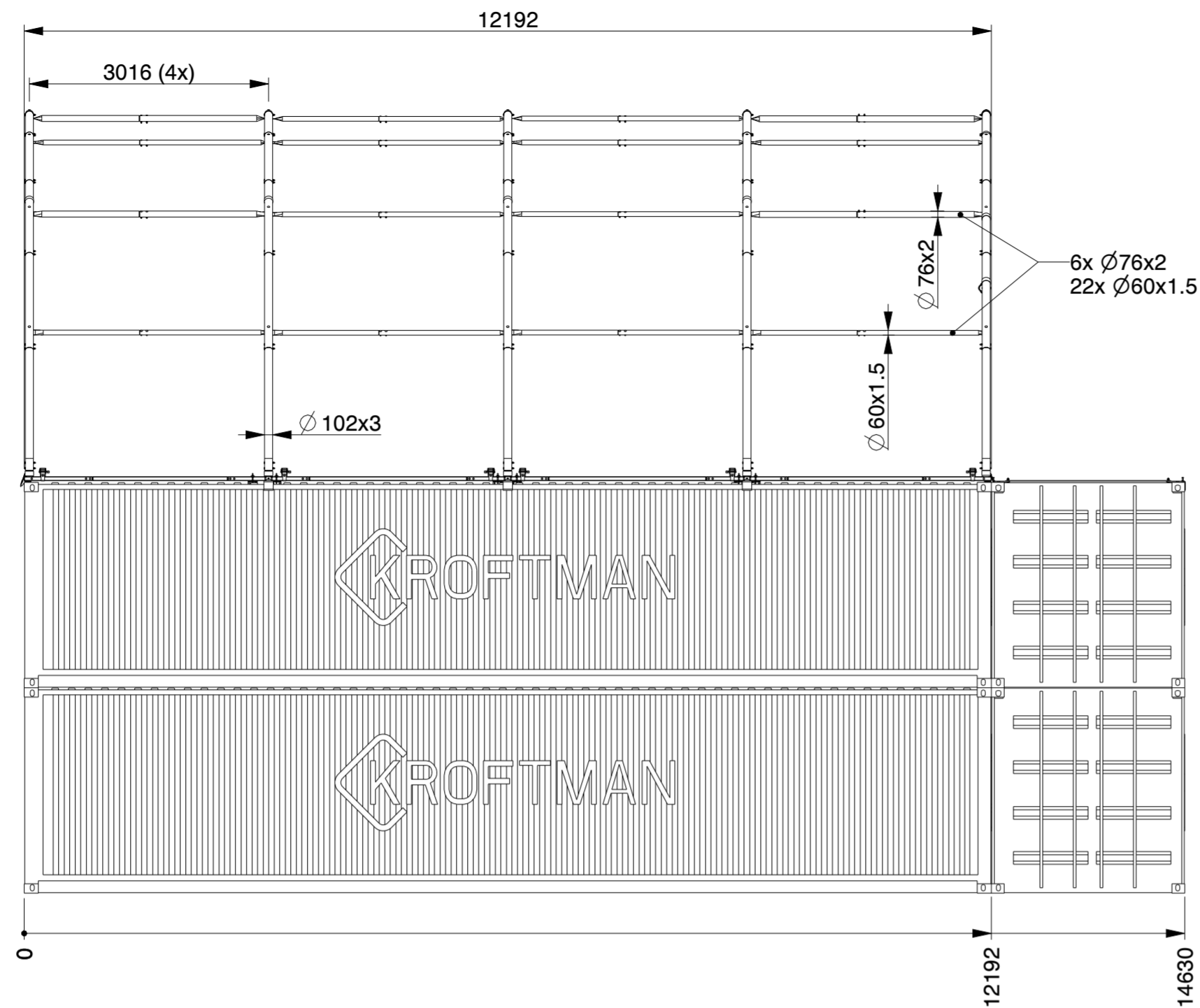
HC containers  
Optional half end wall



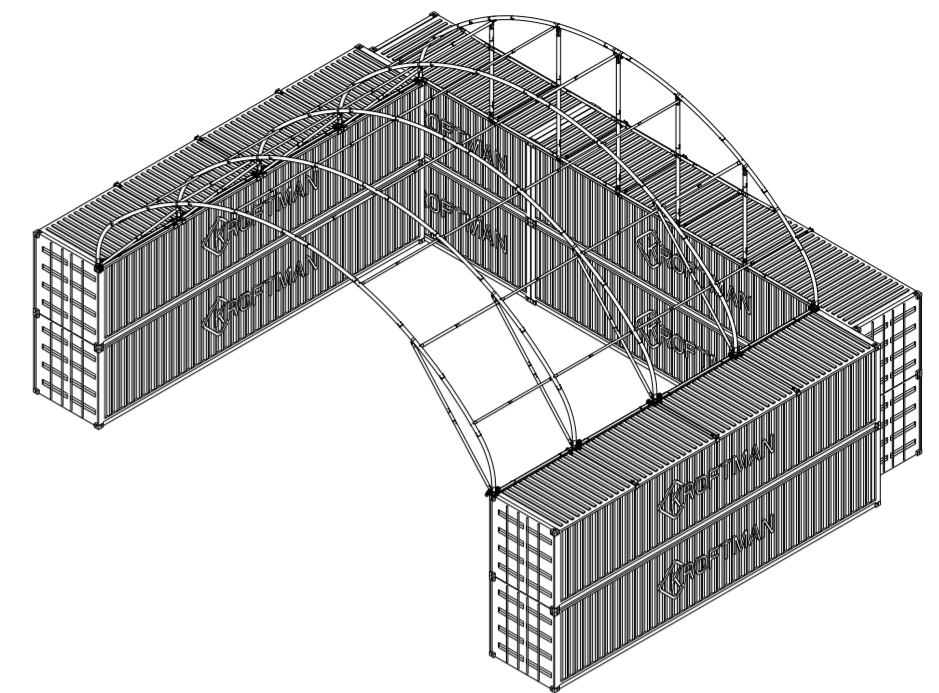
SCALE 1:200

<b>KROFTMAN</b>	LASERCUT ACCORDING: EN-ISO 9013-5-4-1		MATERIAL: See List	
	MATERIAL CERTIFICATE: 3.1 (OR 2.2 WHEN S235JR)		TREATMENT: None	
	GALVANIZING ACCORDING: EN ISO 1461		STATUS: Released	
	BEND RADIUS UNLESS DEFINED R <sub>i</sub> =1		TOLERANCES UNLESS OTHERWISE SPECIFIED:	
GENERAL ROUGHNESS Ra x	DIMENSION: ±x	ANGLE: ±x°	MODEL NUMBER TCA0239	REVISION: 1
DESCRIPTION: CT-A-1512 ISO and HC				
SCALE: 3:200	UNITS: mm	PROJECTION: 	MODIFIED ON: 22-10-2025	APPROVED ON: 23-10-2025
			MODIFIED BY: HME	APPROVED BY: BVB
			MASS: 4918,0 kg	Sheet 3 of 5
				Size: A2

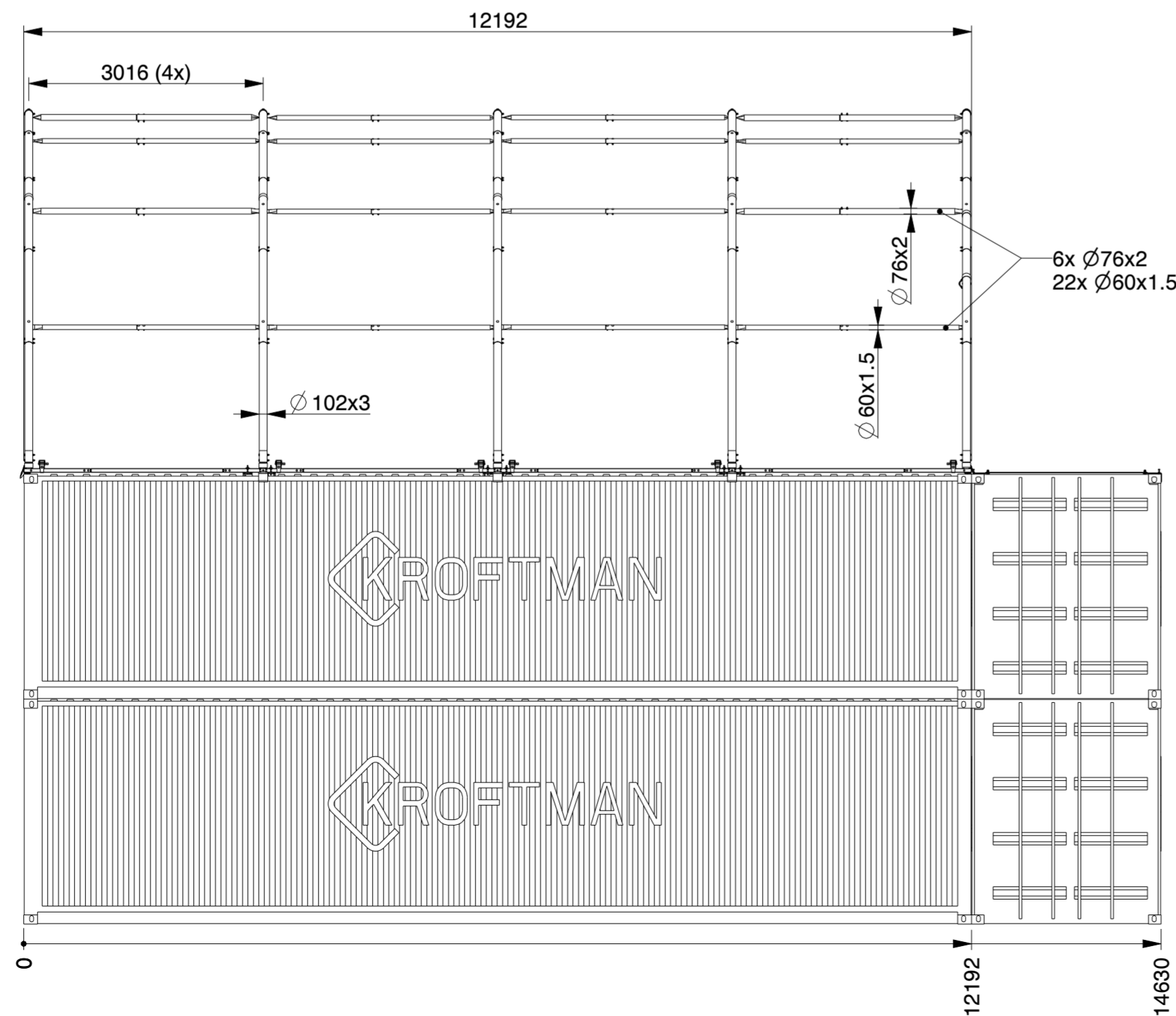
Rev.	Date	Drawn	Description	Remarks
1	22-10-2025	HM	CT-A-1512 changed to swage base rails	



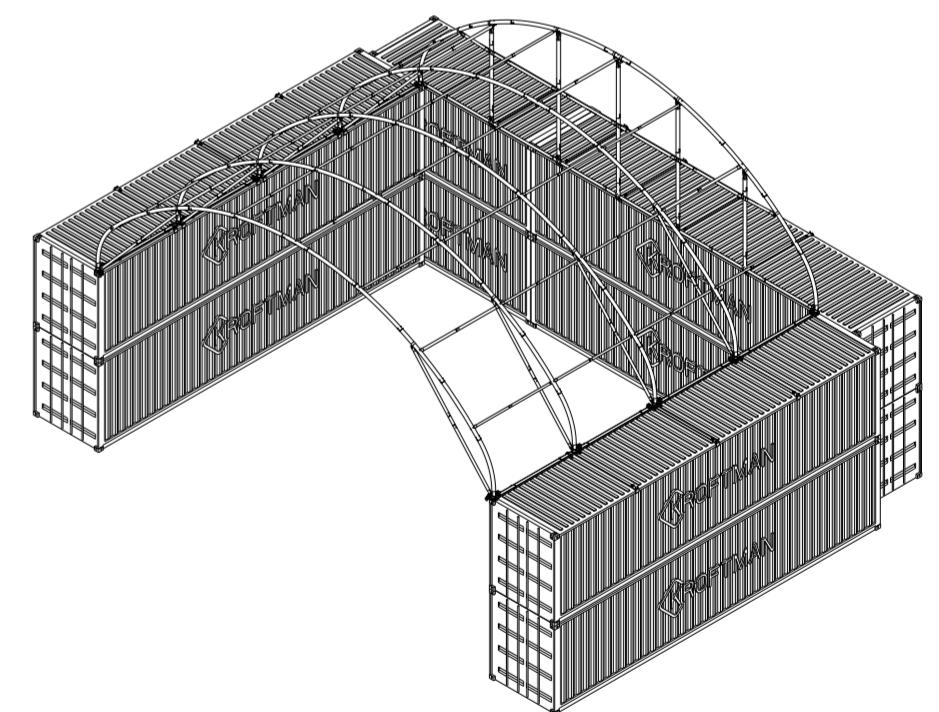
ISO containers  
Optional half end wall



SCALE 1:200



HC containers  
Optional half end wall



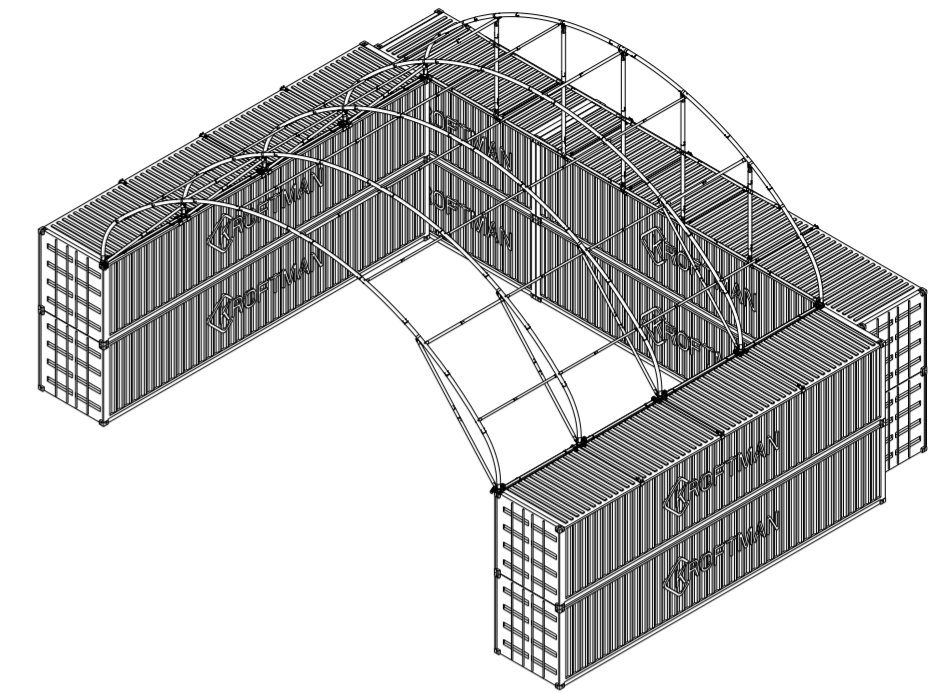
SCALE 1:200

<b>KROFTMAN</b>	LASERCUT ACCORDING: EN-ISO 9013-5-4-1		MATERIAL: See List	
	MATERIAL CERTIFICATE: 3.1 (OR 2.2 WHEN S235JR)		TREATMENT: None	
	GALVANIZING ACCORDING: EN ISO 1461		STATUS: Released	
	BEND RADIUS UNLESS DEFINED R <sub>i</sub> =1		MODEL NUMBER <b>TCA0239</b>	
TOLERANCES UNLESS OTHERWISE SPECIFIED:		REVISION: <b>1</b>		
GENERAL ROUGHNESS Ra x	DIMENSION: ±x	ANGLE: ±x°	DESCRIPTION: <b>CT-A-1512 ISO and HC</b>	
SCALE: 3:200	UNITS: mm	PROJECTION: 	MODIFIED ON: 22-10-2025	APPROVED ON: 23-10-2025
© KROFTMAN STRUCTURES B.V. Duplication and copying without written permission of the owner is prohibited		MODIFIED BY: HME	APPROVED BY: BVB	Sheet 4 of 5
		MASS: 4918,0 kg	Size: A2	

DRAWING NAME: TCA0239 MODEL VERSION: 1.1

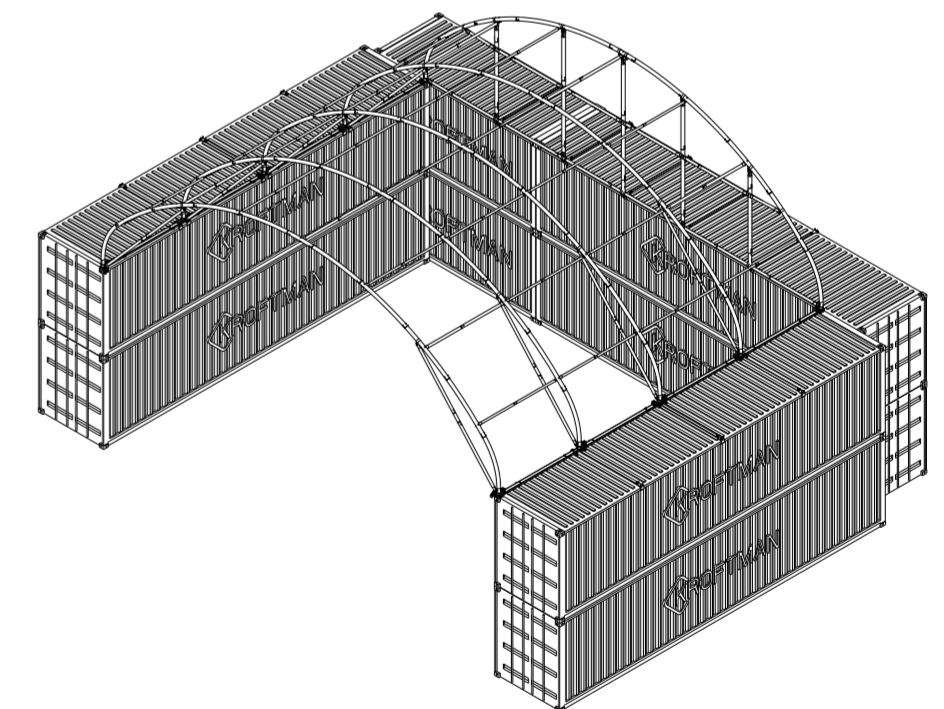
Rev.	Date	Drawn	Description	Remarks
1	22-10-2025	HM	CT-A-1512 changed to swage base rails	

ISO containers  
Optional half end wall

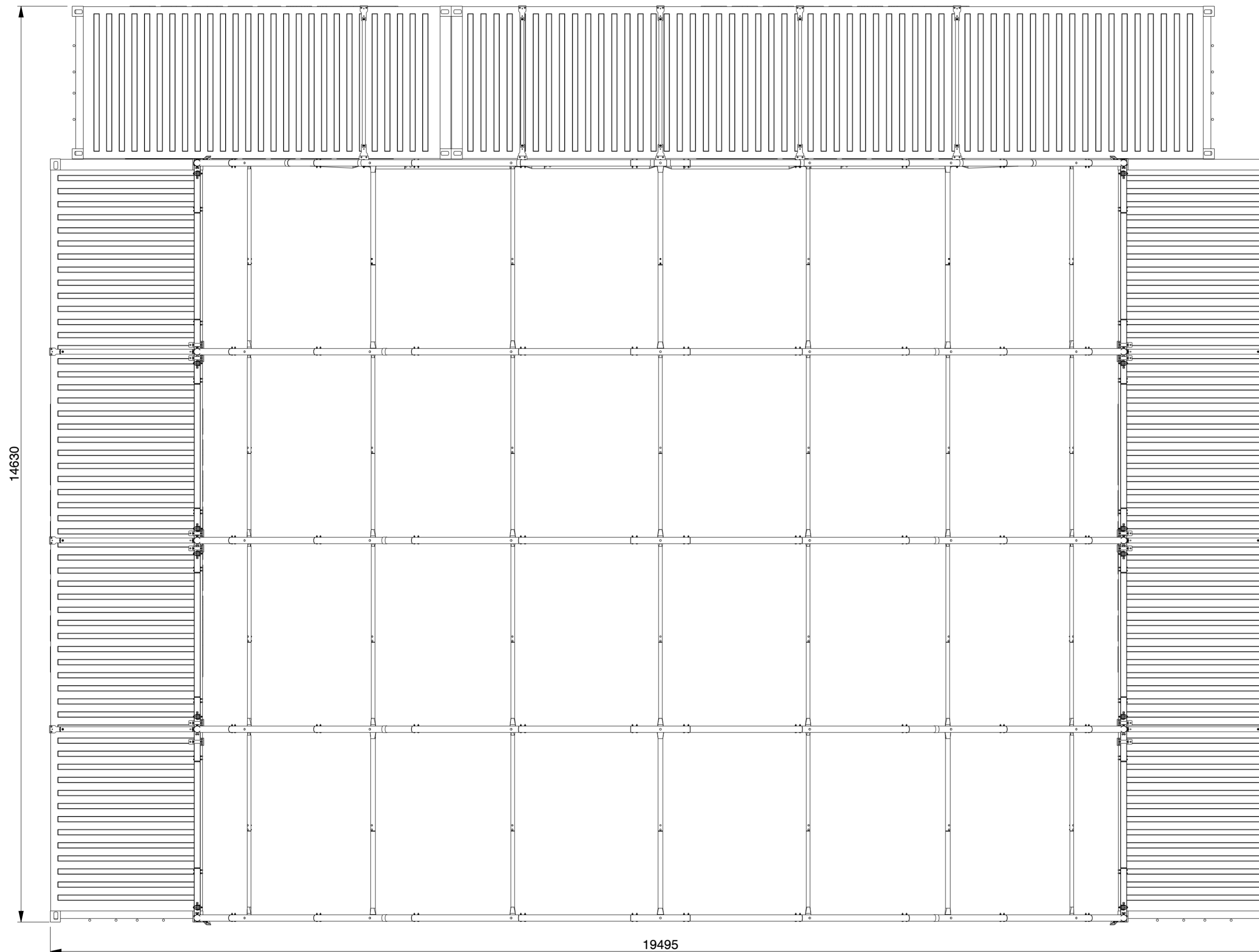


SCALE 1:200

HC containers  
Optional half end wall



SCALE 1:200



<b>KROFTMAN</b>	LASERCUT ACCORDING: EN-ISO 9013-5-4-1		MATERIAL: See List	
	MATERIAL CERTIFICATE: 3.1 (OR 2.2 WHEN S235JR)		TREATMENT: None	
	GALVANIZING ACCORDING: EN ISO 1461		STATUS: Released	
	BEND RADIUS UNLESS DEFINED R <sub>i</sub> =1		REVISION: <b>1</b>	
TOLERANCES UNLESS OTHERWISE SPECIFIED:				
GENERAL ROUGHNESS Ra x	DIMENSION: ± x	ANGLE: ± x°	MODEL NUMBER <b>TCA0239</b>	
DESCRIPTION: <b>CT-A-1512 ISO and HC</b>				
SCALE: 1:50	UNITS: mm	PROJECTION: 	MODIFIED ON: 22-10-2025	APPROVED ON: 23-10-2025
			MODIFIED BY: HME	APPROVED BY: BVB
			MASS: 4918,0 kg	Sheet 5 of 5    Size: A2